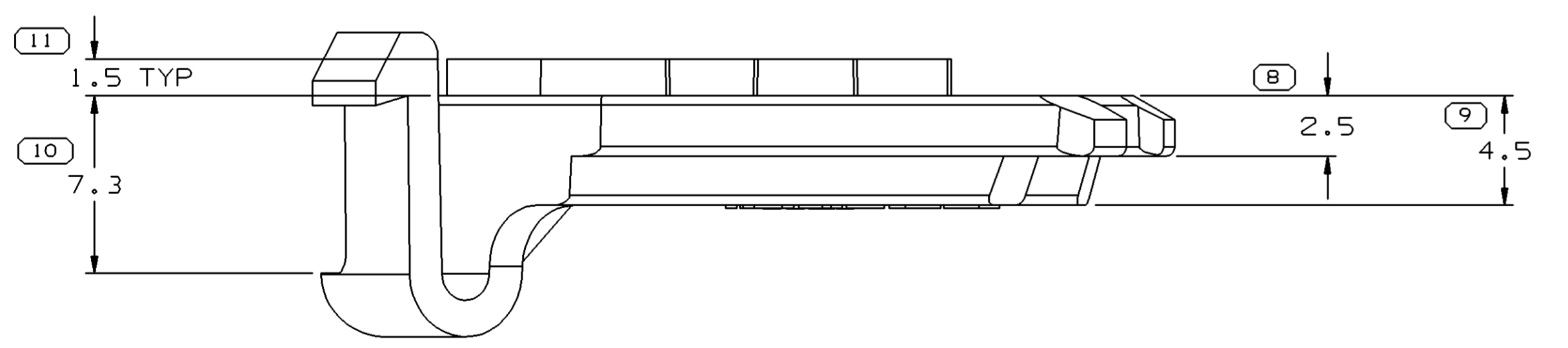
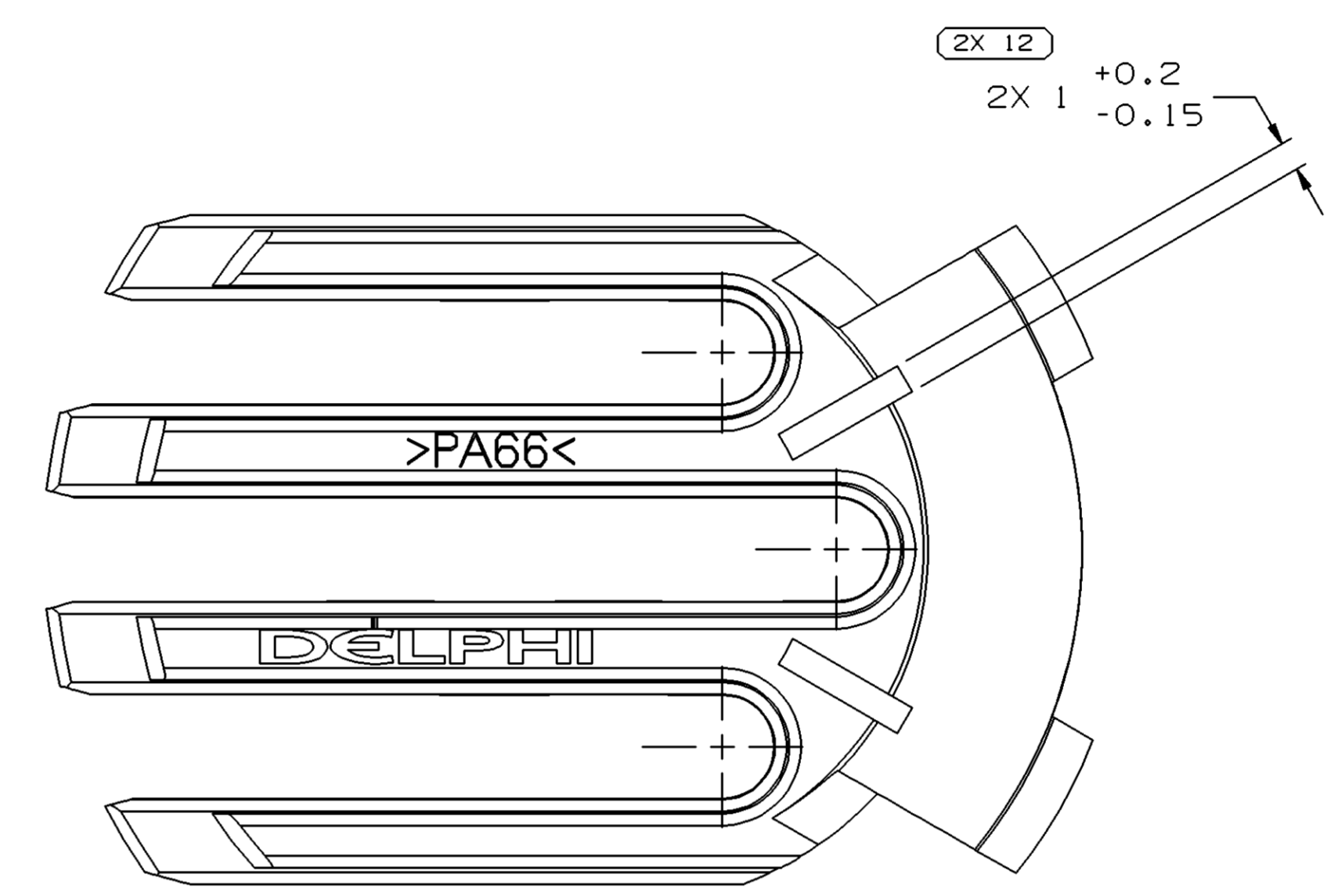
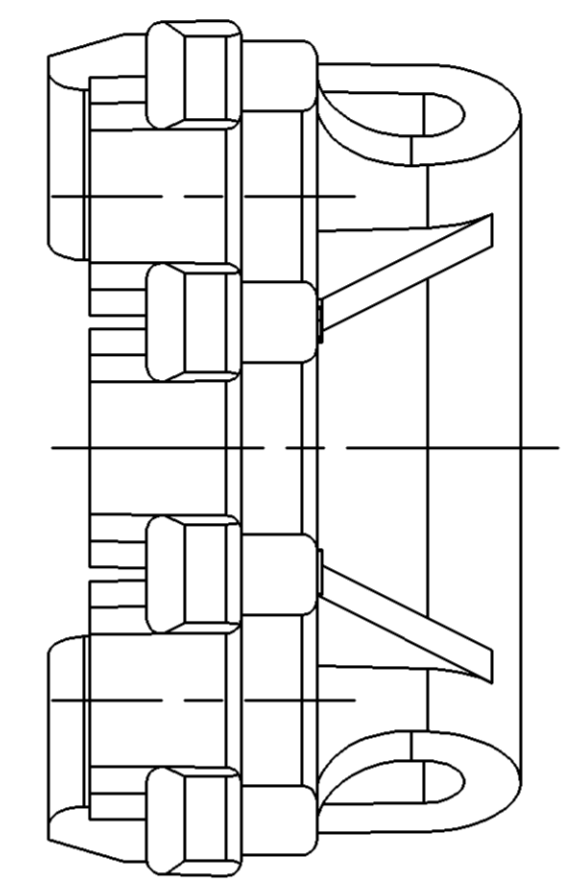
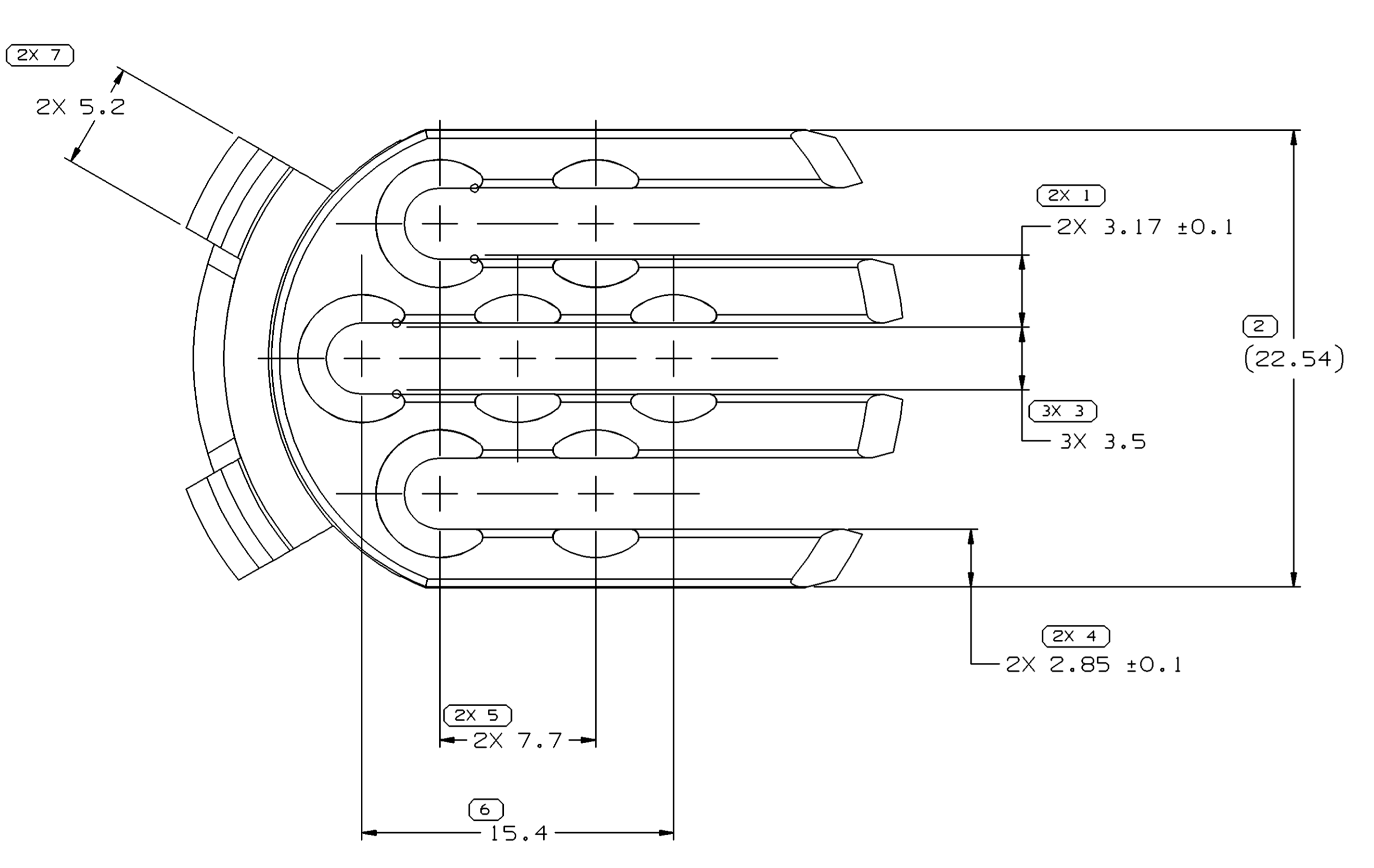


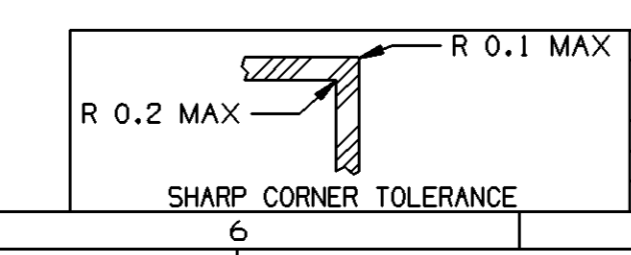
| SYMBOL DEFINITION  |               | TOTAL NO OF INSPECTIONS REQUIRED |  |
|--|---------------|----------------------------------|--|
| A DIMENSION WITHOUT AN INSPECTION REPORT SYMBOL DOES NOT REQUIRE INSPECTION. IT MAY BE CONTROLLED ON THE INDIVIDUAL COMPONENT DRAWING. |               | 19                               |  |
|  | LAST NO. USED | 12                               |  |

| MISSING SYMBOLS |     | DWO STATUS |     |     |      | REVISION HISTORY |  |  |  | AUTH   | DR     | APVD | APVD |    |
|-----------------|-----|------------|-----|-----|------|------------------|--|--|--|--|--------|------|------|----|
| DATE            | STG | REV        | N/P | CHO | ZONE |                  |  |  |  |  |        |      |      |    |
| 28N001          | R   | 05         | -   | -   |      |                  |  |  |  | REDRAWN TO PD, MAT'L SPEC WAS R0063785 AND REVISED LOGO  | 217704 | RH   | RCH  | RC |
| 22AP04          | R   | 05         | AA  | -   |      |                  |  |  |  | DIM. 1 WAS 6X MOVED TO FRONT VIEW, DIM. 3 WAS 7X MOVED TO FRONT VIEW, DIM. 4 WAS 2X MOVED TO FRONT VIEW, DIM. 2 MOVED TO FRONT VIEW. | 254713 | LMB  | LMB  | TM |

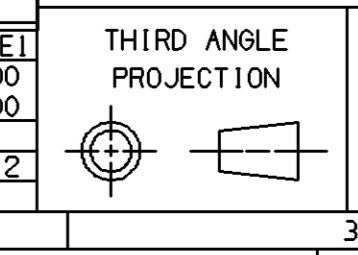


NOTES

- UNLESS OTHERWISE SPECIFIED AND/OR INDICATED: DIMENSIONS ARE TO FACE OF VIEW SHOWN AND AUTOMATICALLY ROUNDED BY COMPUTER FOR INSPECTION (SEE MATH MODEL FOR PRECISE DIMENSIONS). FOR ALL OTHER DIMENSIONS NOT SHOWN BUT REQUIRED FOR TOOL BUILD, SEE MATH MODEL FOR PRECISE TOOL PATH DATA.
- THIS PART IS NOT CONTROLLED FOR AUTOMATIC FEEDING.
- MATING COMPONENTS OR EQUIVALENT: CONNECTOR 12110750 & 12110753
- MATERIAL RECYCLING CODE >PA66< PER SAE J1344. (2.31X(0.1) RAISED CHARACTERS AS SHOWN TO BE LOCATED ON ANY EXTERIOR SURFACE. OPTIONAL CONSTRUCTION TO BE NO MATERIAL RECYCLING CODE.
- (2.31X(0.1) RAISED DELPHI CORPORATE BRAND TO BE LOCATED ON ANY EXTERIOR SURFACE, PREFERABLY VISIBLE AT FINAL ASSEMBLY. OPTIONAL CONSTRUCTION TO BE "PED" OR NO LOGO.



| DIMENSIONAL RANGE (MM) | TOLERANCE UNLESS OTHERWISE SPECIFIED |
|------------------------|--------------------------------------|
| FROM > 0 TO > 20       | ±0.15                                |
| > 20 TO > 30           | ±0.2                                 |
| > 30 TO > 40           | ±0.3                                 |
| > 40 TO > 50           | ±0.4                                 |
| > 50 TO > 60           | ±0.5                                 |
| > 60 TO > 70           | ±0.6                                 |
| > 70 TO > 80           | ±0.8                                 |
| > 80 TO > 100          | ±1                                   |
| > 100 TO > 150         | ±1.2                                 |
| > 150 TO > 200         |                                      |
| > 200 TO > 250         |                                      |
| > 250 TO > 300         |                                      |
| > 300 TO > 400         |                                      |



DO NOT SCALE  
USE MATH DATA

**DELPHI**  
DELPHI PACKARD ELECTRIC SYSTEMS  
WARREN, OH

| DR                  | DATE   |
|---------------------|--------|
| APVD1 R. HERMOSILLO | 28N001 |
| APVD2 R. CHACON     | 08FE02 |
| APVD3 R. CORZAS     | 11FE02 |
| APVD4               |        |
| APVD5               |        |

UNLESS OTHERWISE SPECIFIED  
THIS DOCUMENT IS IN ACCORDANCE WITH ASME Y14.5M-1994 AS AMENDED BY THE 2003 DIMENSIONING AND TOLERANCING ADDENDUM - 1997. ALL GEOMETRIC TOLERANCES AND RELATED DATUMS APPLY TO ALL DIMENSIONS UNLESS OTHERWISE SPECIFIED. DIMENSIONS DO NOT APPLY WHEN RELATIONSHIP BETWEEN FEATURES IS ESTABLISHED BY ORIENTATION OR LOCATION TOLERANCES. SEPARATE POSITION DATUMS MAY BE GAGED SEPARATELY, REGARDLESS OF DATUM REFERENCE.  
ALL DIMENSIONS ARE IN MILLIMETERS

DRAWING NAME  
LOCK TPA M/P 280 7 GRA LT

DRAWING NUMBER  
**12110754**

SIZE AO SCALE 5:1 FRAME NO 1 OF 1 SHEET NO 1 OF 1 STG REV N/P R 05 AA