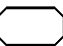
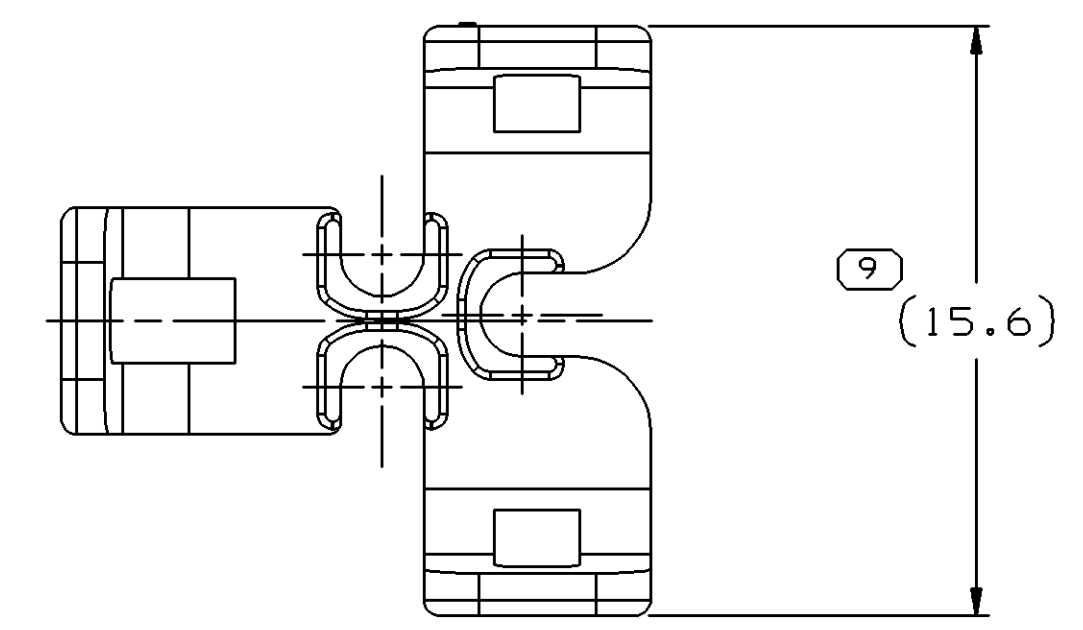
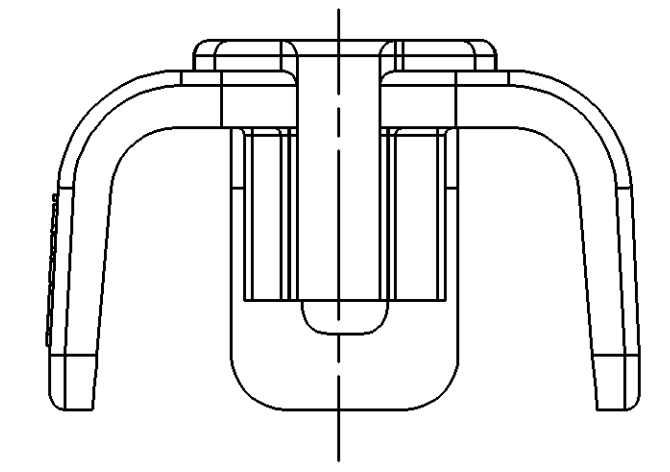
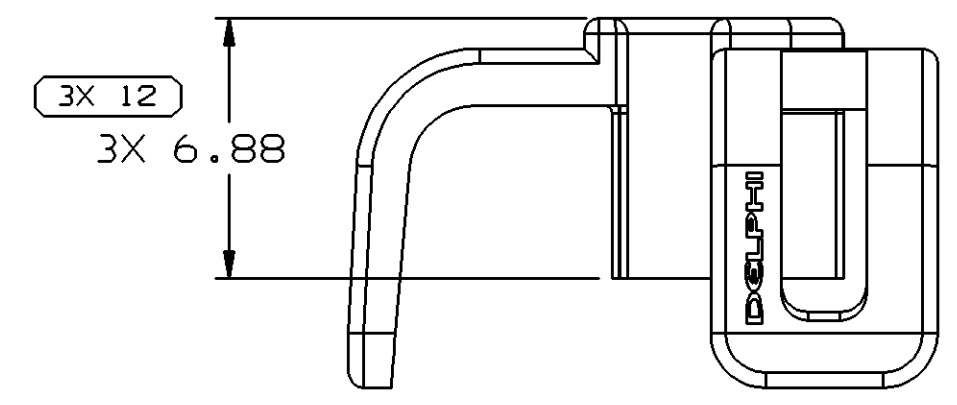
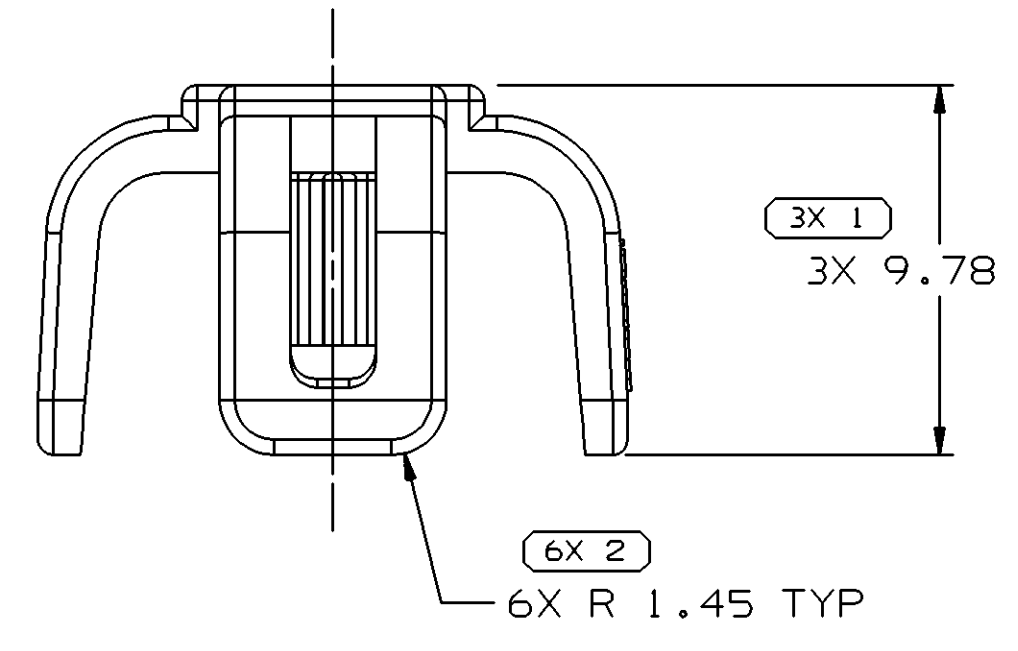
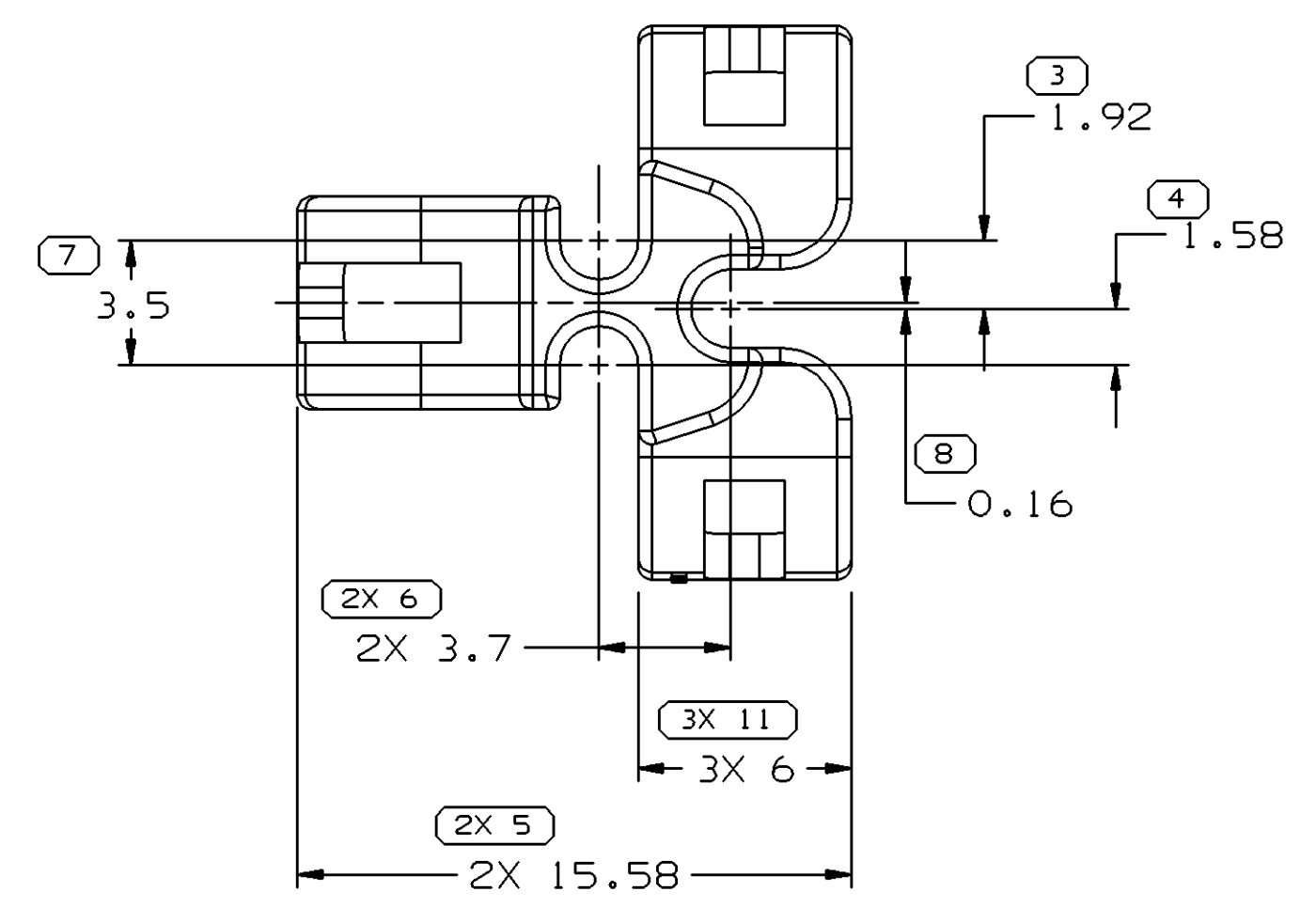


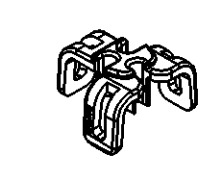
SYMBOL DEFINITION		MISSING SYMBOLS	
A DIMENSION WITHOUT AN INSPECTION REPORT SYMBOL  DOES NOT REQUIRE INSPECTION. IT MAY BE CONTROLLED ON THE INDIVIDUAL COMPONENT DRAWING.	TOTAL NO OF INSPECTIONS REQUIRED	10	24
	LAST NO. USED		12

DWG STATUS					ZONE	REVISION HISTORY	AUTH	DR	APVD1	APVD2
DATE	STG	REV	N/P	CHG						
11N002	R	01	-	-		RELEASED	232695	JVM	JVM	BMD
18DE02	R	02	-	-		ADDED DIM #11; REMOVED RECYCLE CODE; REMOVED RADIUS (3 PLCS); MOVED DELPHI LOGO; DIM #2 WAS 6X R 2 TYP; DIM #5 WAS 2X 15.56; REVISED NOTE #4; REVISED LOCK ARMS; MADE DIM #11 PROCESS SENSITIVE DIM	234870	EES	EES	MOB
11AP03	R	02	AA	-		ADDED 6.88 DIM AND PROCESS SENSITIVE DIM WAS 11	239554	TLD	TLD	MD
15OC03	R	02	AB	-		UPDATED PDM ATTRIBUTES	247477	ADK	BB	AAD
02MR04	R	02	AC	-		REMOVED DIM (1 PLC)	252420	JTZ	JAA	MD



NOTES

- UNLESS OTHERWISE SPECIFIED AND/OR INDICATED: DIMENSIONS ARE TO FACE OF VIEW SHOWN AND AUTOMATICALLY ROUNDED BY COMPUTER FOR INSPECTION (SEE MATH MODEL FOR PRECISE DIMENSIONS). FOR ALL OTHER DIMENSIONS NOT SHOWN BUT REQUIRED FOR TOOL BUILD, SEE MATH MODEL FOR PRECISE TOOL PATH DATA.
- THIS PART IS NOT CONTROLLED FOR AUTOMATIC FEEDING.
- MATERIAL RECYCLING CODE PER ISO 11469. (0.52)X(0.1) RAISED CHARACTERS AS SHOWN TO BE LOCATED ON ANY EXTERIOR SURFACE. OPTIONAL CONSTRUCTION TO BE NO MATERIAL RECYCLING CODE.
- (0.41)X(0.1) RAISED DELPHI CORPORATE BRAND TO BE LOCATED ON ANY EXTERIOR SURFACE, PREFERABLY VISIBLE AT FINAL ASSEMBLY. OPTIONAL CONSTRUCTION TO BE "PED" OR NO LOGO.



R 0.2 MAX	R 0.1 MAX	DIMENSIONAL RANGE (MM)		CHART E1	
		FROM	TO	FROM	TO
TOLERANCE UNLESS OTHERWISE SPECIFIED		±0.15	±0.2	±0.3	±0.4
ANGULAR TOLERANCE ±2°		±0.5	±0.6	±0.8	±1

DWG TYPE		PART DRAWING	
STYLE			
VOLUME (CM <sup>3</sup> )	0.323	DISTR CODE	
ROUTING	6901	D	
UNLESS OTHERWISE SPECIFIED			
THIS DOCUMENT IS IN ACCORDANCE WITH ASME Y14.5M-1994 AS AMENDED BY THE GM GLOBAL DIMENSIONING AND TOLERANCING ADDENDUM - 1997. ALL GEOMETRIC TOLERANCES AND RELATED DATUMS APPLY RFS. RULE #1 PERFECT FORM AT MMC1 DOES NOT APPLY WHEN RELATIONSHIP BETWEEN FEATURES IS ESTABLISHED BY ORIENTATION OR LOCATION TOLERANCES. SEPARATE POSITION CALLOUTS MAY BE GAGED SEPARATELY, REGARDLESS OF DATUM REFERENCE.			
ALL DIMENSIONS ARE IN MILLIMETERS			

**DELPHI**  
 DELPHI PACKARD ELECTRIC SYSTEMS  
 WARREN, OH

DR	DATE
APVD1 J. VILLAMIL	11N002
APVD2 J. VILLAMIL	11N002
APVD3 MATTHEW BRUMBACH	14N002
APVD4	
APVD5	

SUBSTANCES OF CONCERN AND RECYCLED CONTENT PER DELPHI 10949001

MATERIAL: M2279025 PA66 GF14 HS 1M GRA MED

DRAWING NAME: LOCK TPA GT 150 3 GRA MD

DRAWING NUMBER: 15452678

SIZE	SCALE	FRAME NO	SHEET NO	STG	REV	N/P
A1	5:1	1 OF 1	1 OF 1	R	02	AC