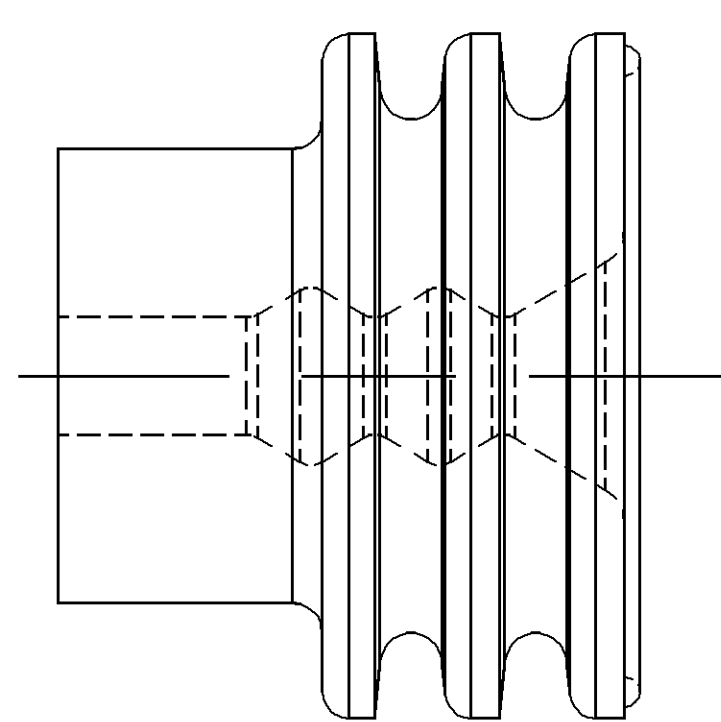
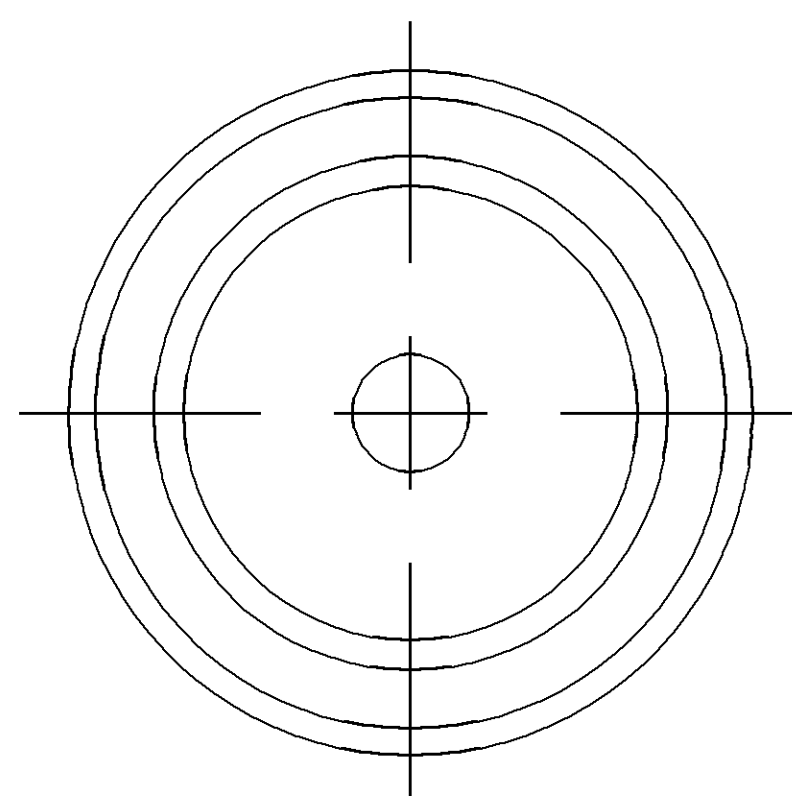
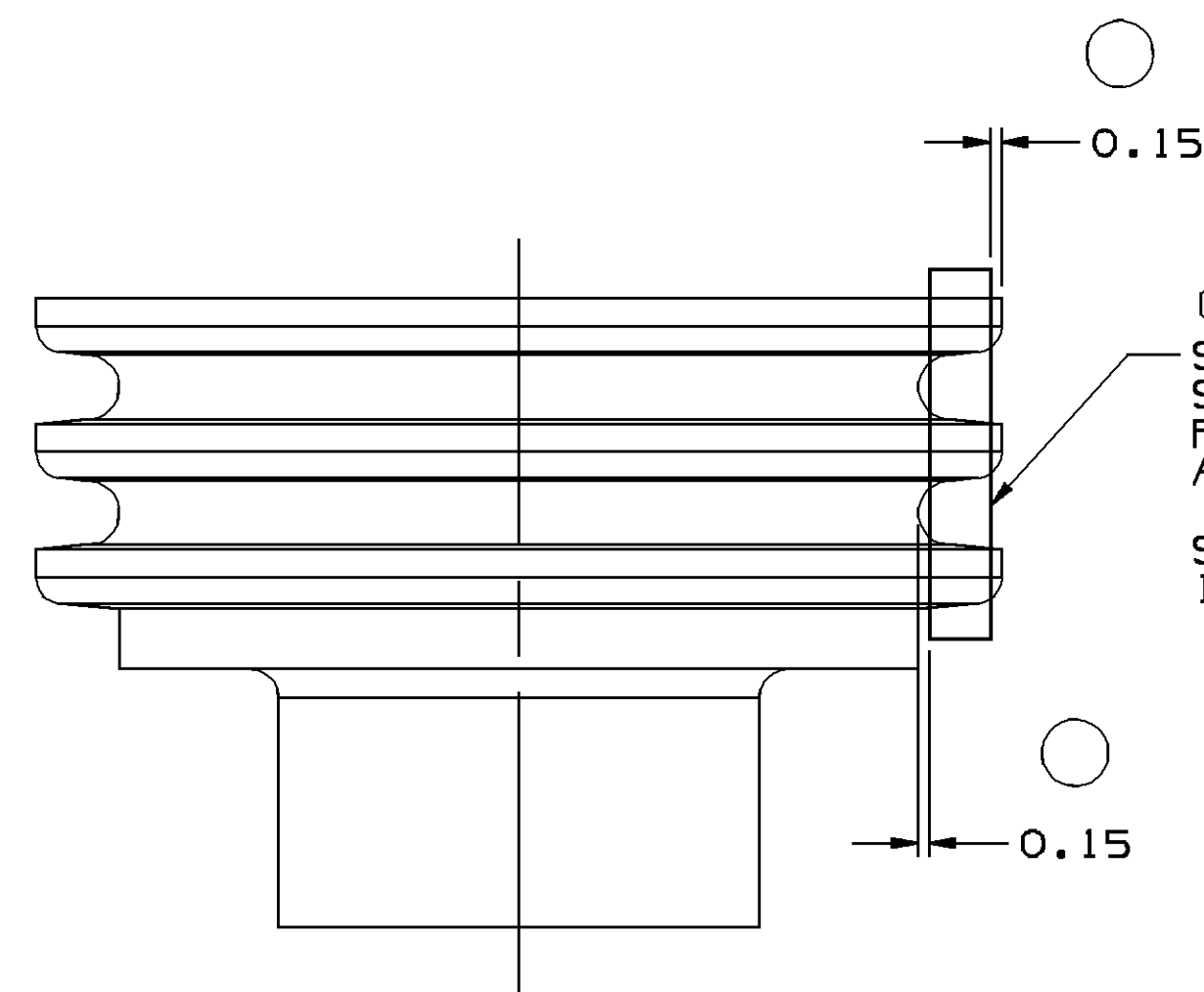


OPTIONAL CONSTRUCTION 1  
(ANTI-STICK RING)

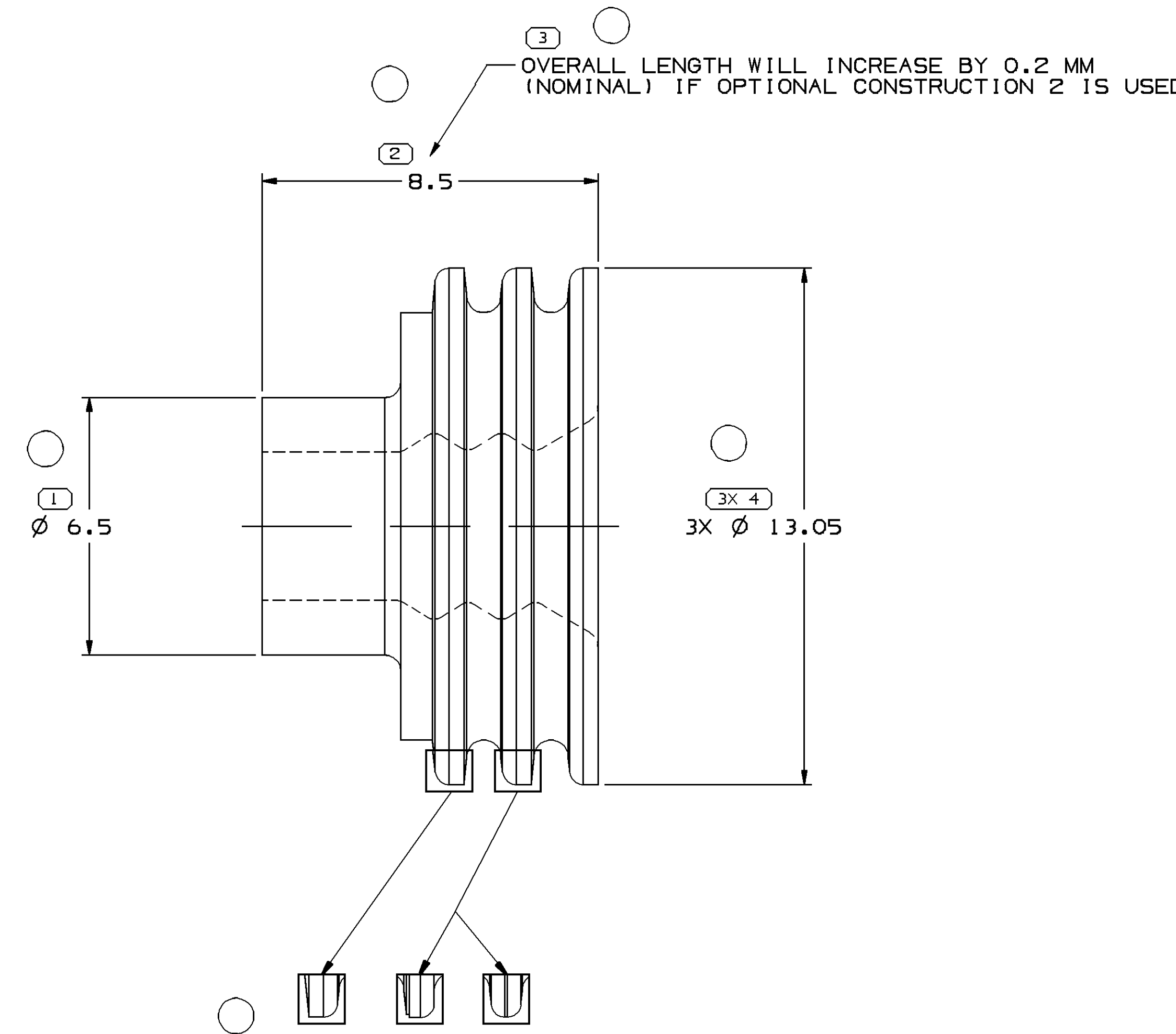
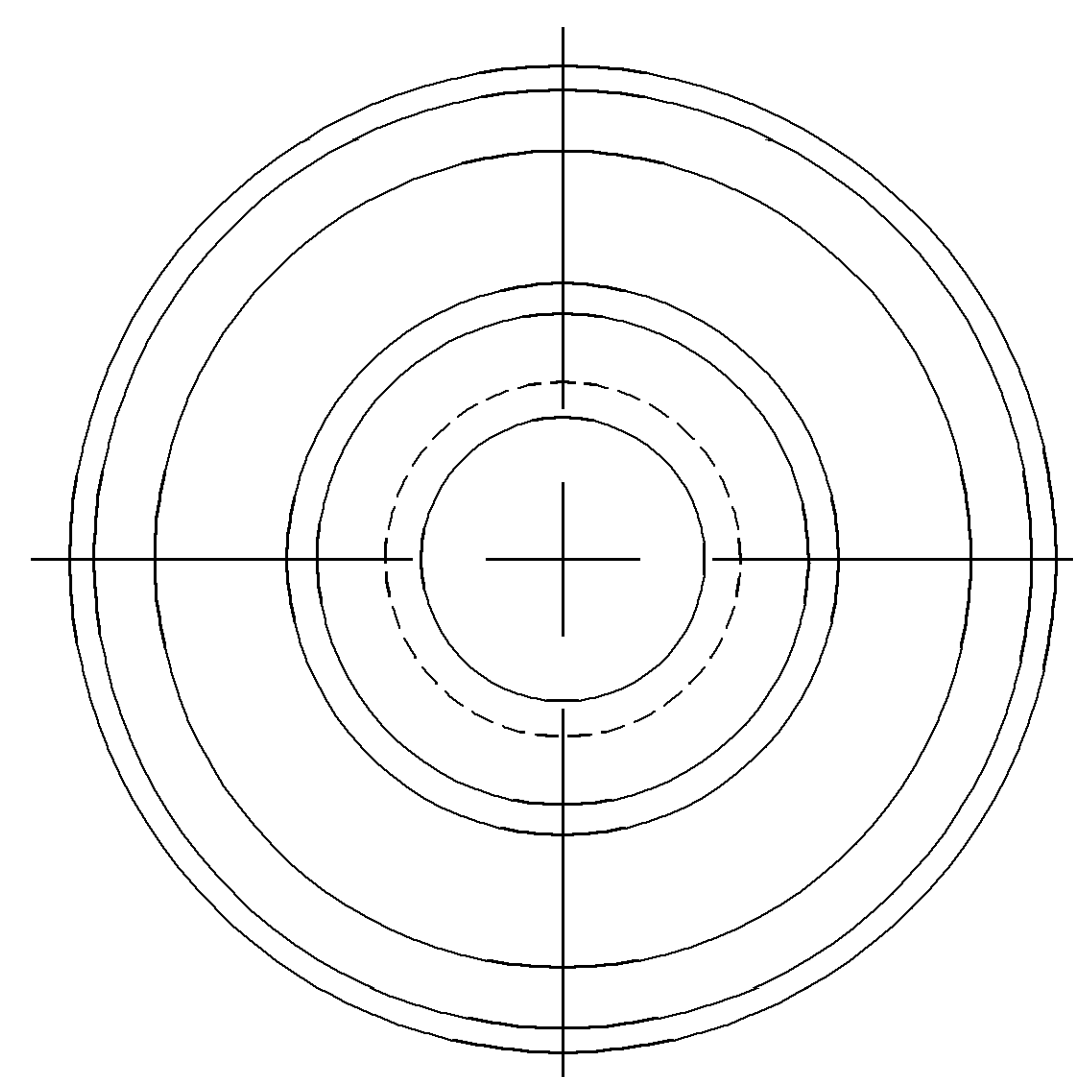


OPTIONAL CONSTRUCTION 2  
THIS IS THE PREFERRED CONSTRUCTION FOR NEW  
TOOL BUILDS  
(ANTI-STICK RING)



SEALING RIBS MUST BE FREE OF SINKS, VOIDS, KNIT LINES AND FLASH, IN THE AREA SHOWN ALL AROUND PART.

SEE VPS A-121 FOR ADDITIONAL INFORMATION



OVERALL LENGTH WILL INCREASE BY 0.2 MM (NOMINAL) IF OPTIONAL CONSTRUCTION 2 IS USED

SEALING RIBS MAY DIFFER AS SHOWN

NOTES

- UNLESS OTHERWISE SPECIFIED AND/OR INDICATED: DIMENSIONS ARE TO FACE OF VIEW SHOWN AND AUTOMATICALLY ROUNDED BY COMPUTER FOR INSPECTION. (SEE MATH MODEL FOR PRECISE DIMENSIONS.) FOR ALL OTHER DIMENSIONS NOT SHOWN BUT REQUIRED FOR TOOL BUILD, SEE MATH MODEL FOR PRECISE TOOL PATH DATA.
- PARTS ARE TO BE PACKAGED IN SEALED PLASTIC BAGS. GROSS WEIGHT INCLUDING CARTON IS NOT TO EXCEED 34 POUNDS.
- PART NO 12129381 ASSEMBLES TO TERMINAL & SPRING ASSEMBLY 12129414 OR EQUIVALENT.
- CABLE SEAL DESIGNED FOR CABLE CRIMPED TO 800 SERIES TERMINALS.

SYMBOL DEFINITION		TOTAL NO OF INSPECTIONS REQUIRED	7
A DIMENSION WITHOUT AN INSPECTION REPORT SYMBOL DOES NOT REQUIRE INSPECTION. IT MAY BE CONTROLLED ON THE INDIVIDUAL COMPONENT DRAWING.		LAST NO. USED	5

MISSING SYMBOLS				REVISION HISTORY			
DATE	BY	REV	CHG	DATE	BY	REV	CHG
23JUL02	R	08	-				
030006	R	09	-				

NO MISSING SYMBOL NUMBER

CLEARED REV COL: 15393982 - OBSOLETE

225182 AFM JAN JR

205230 JBD FRG MPR

ALL ACTIVE PARTS - REMOVED A,C,F,G & TYPE COLUMNS FROM CHART, TYPE 702, OPTIONAL CONSTRUCTION FOR TYPE 701 & 702 VIEWS, MAT'L SPEC NOTE AND DIMS (1 PLCS); ADDED MAT'L SPEC NUMBER TO CHART; ALTERNATE MAT'L SPEC, SEALING RIBS LABEL, OVERALL LENGTH LABEL, SEALING RIBS VIEWS & NOTE, DIMS (2 PLCS) AND ANTI-STICK RING OPTIONAL CONSTRUCTION VIEWS; DIM Ø 6.5 WAS Ø 6, DIM 8.5 WAS F, DIM Ø 13.5 WAS Ø 6; 12129381 & 15336703 - RESTRICTED

PART NO	REV	N/P	STATUS	PART NO	REV	N/P	STATUS	MATERIAL SPEC	COLOR	CABLE O.D.	ALTERNATE MATERIAL SPEC	CAVITY	VOL CM <sup>3</sup>	EQUIVALENT CABLE SEAL
				15393982	01	AD	OBSOLETE	M4361029	TAN	4.7-4.54	-	12.5	0.479	-
				15336703	A3	-	RESTRICTED	M226100B	BLUE	4.5-3.61	-	12.5	0.593	15324999
				15324999	01	AE	-	M346900B	BLUE	4.5-3.61	M346600B	12.5	0.593	15336703
				15324998	01	AE	-	M3469037	DARK RED	4.7-4.54	M3466037	12.5	0.560	12129381
				12129381	F5	-	RESTRICTED	M2261019	DARK RED	4.7-4.54	-	12.5	0.560	15324998

DIMENSIONAL RANGE (MM)		CHART	ET
FROM	> 0	> 30	> 100
TO	20	30	70
	70	100	150
	150	200	250
	250	300	400

(4) PROCESS SENSITIVE DIMENSION

DIMENSIONS ENCLOSED IN ( ) INDICATE REFERENCE DIMENSIONS AND NO TOLERANCE LIMITS ARE ESTABLISHED

THIRD ANGLE PROJECTION

DO NOT SCALE

USE MATH DATA

UNIMAPHICS

**DELPHI**

DELPHI PACKARD ELECTRIC SYSTEMS  
WARREN, OH

DATE

DR

APV01 J. COLDSNOW 160C91

APV02 J. COLDSNOW 160C91

APV03 R. MAGA 180C91

APV04

APV05

SUBSTANCES OF CONCERN AND RECYCLED CONTENT PER DELPHI 1094001

MATERIAL SEE CHART

DRAWING NAME

TAXI SEAL CBL IW M/P

DRAWING NUMBER

12010295

SCALE 10:1

FRAME NO 1

SHEET NO 5 OF 1

REV 09