

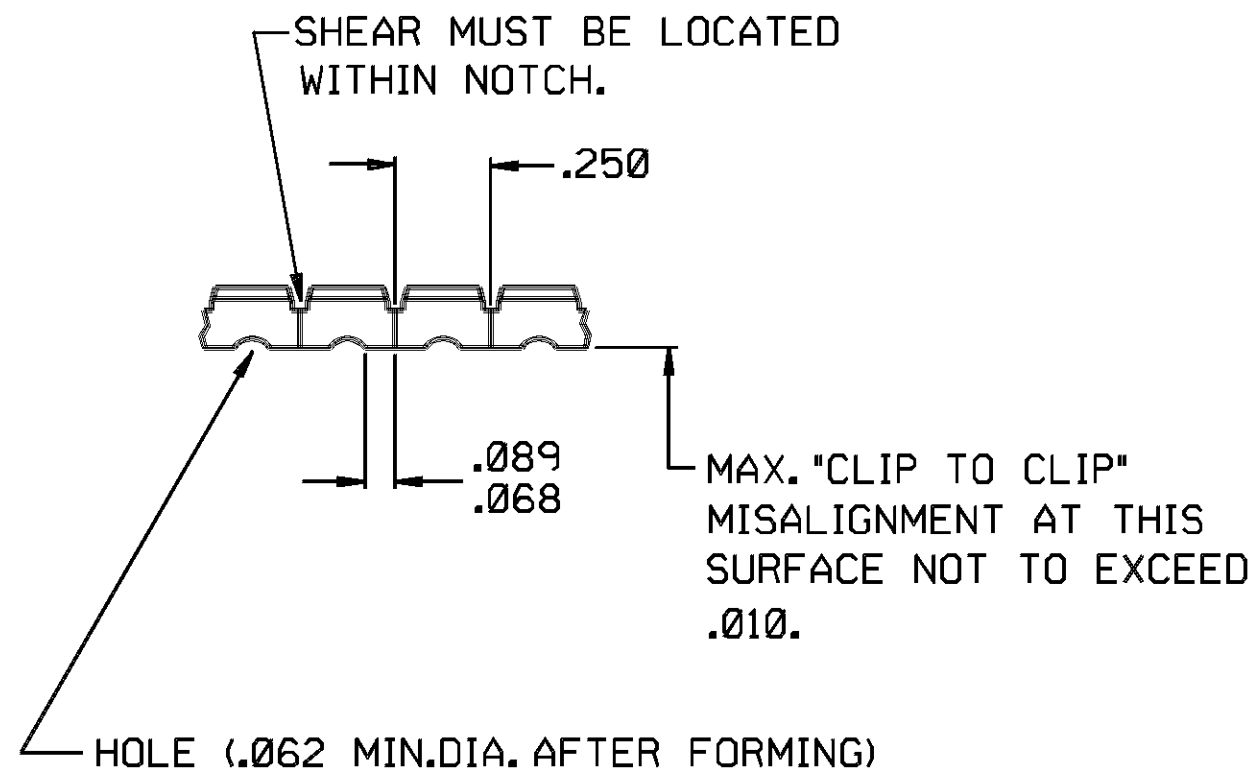
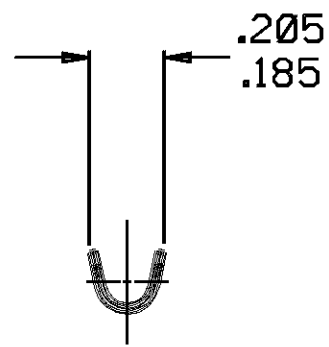
D

THIS DRAWING AND DESIGN HEREON CONSTITUTES A PROPRIETARY DESIGN OF PACKARD ELECTRIC DIVISION AND IS NOT TO BE DUPLICATED OR REPRODUCED WITHOUT AUTHORITY OF PACKARD ELECTRIC DIVISION.

DO NOT SCALE

PACKARD ELECTRIC DIVISION
GENERAL MOTORS CORPORATION
WARREN, OHIO

4274A



PART NO.
0529 7428

| DATE | SYM | REVISION RECORD | AUTHORITY | DR | CK |
|--------|-----|---------------------------|-----------|-----|----|
| 090C86 | — | REDRAWN FROM 'A' SIZE | | | |
| | | FINDING DWG. - REV. LEVEL | | | |
| | | REMAINS AT 'E' | 107769 | BSN | FH |
| | | | | | |
| | | | | | |
| | | | | | |
| | | | | | |
| | | | | | |
| | | | | | |
| | | | | | |
| | | | | | |
| | | | | | |
| | | | | | |
| | | | | | |
| | | | | | |
| | | | | | |
| | | | | | |

| | | |
|---|-------------------|--|
| PED / INTERGRAPH MICROSTATION | | FILE SPEC: ****USER**** DGN#SPECIFICATION***** ****SYTIME***** |
| THIRD ANGLE PROJECTION | | METRIC |
| | | DIMENSIONS ARE IN MILLIMETERS UNLESS OTHERWISE SPECIFIED. |
| CODE NO. | 6900 | TOLERANCE UNLESS OTHERWISE SPECIFIED DECIMAL: ANGULAR ± 2° ONE PLACE ± .01 TWO PLACE ± .005 |
| Q.C. | | |
| DWG. DATE | 09SE52 | SCALE NONE |
| DR. DATE | B. NIKNAFS 090C86 | |
| EST. NO. | CK. F HESTON | DATE 08DE86 |
| REFERENCE NO. | APPR. | DATE |
| 02984499 SHEET | APPR. R. KEARNS | DATE 28JA87 |
| MATERIAL SPEC. .017 THK TERNE STEEL | | |
| NAME SPLICE CLIP | | |
| PART NO. | 0529 7428 | SIZE B |
| OUTLINE DRAWING | | |

052974280

PACKARD ELECTRIC