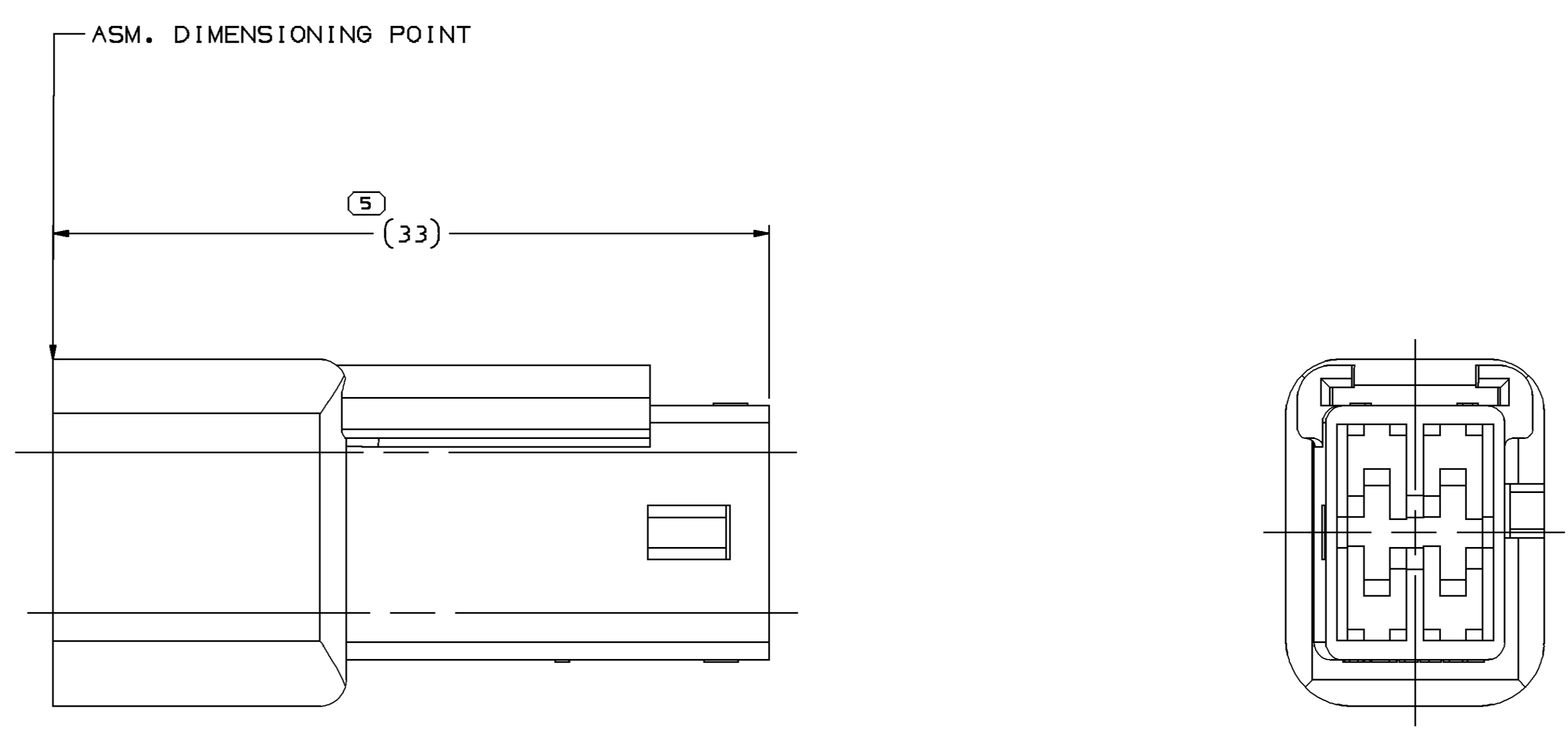
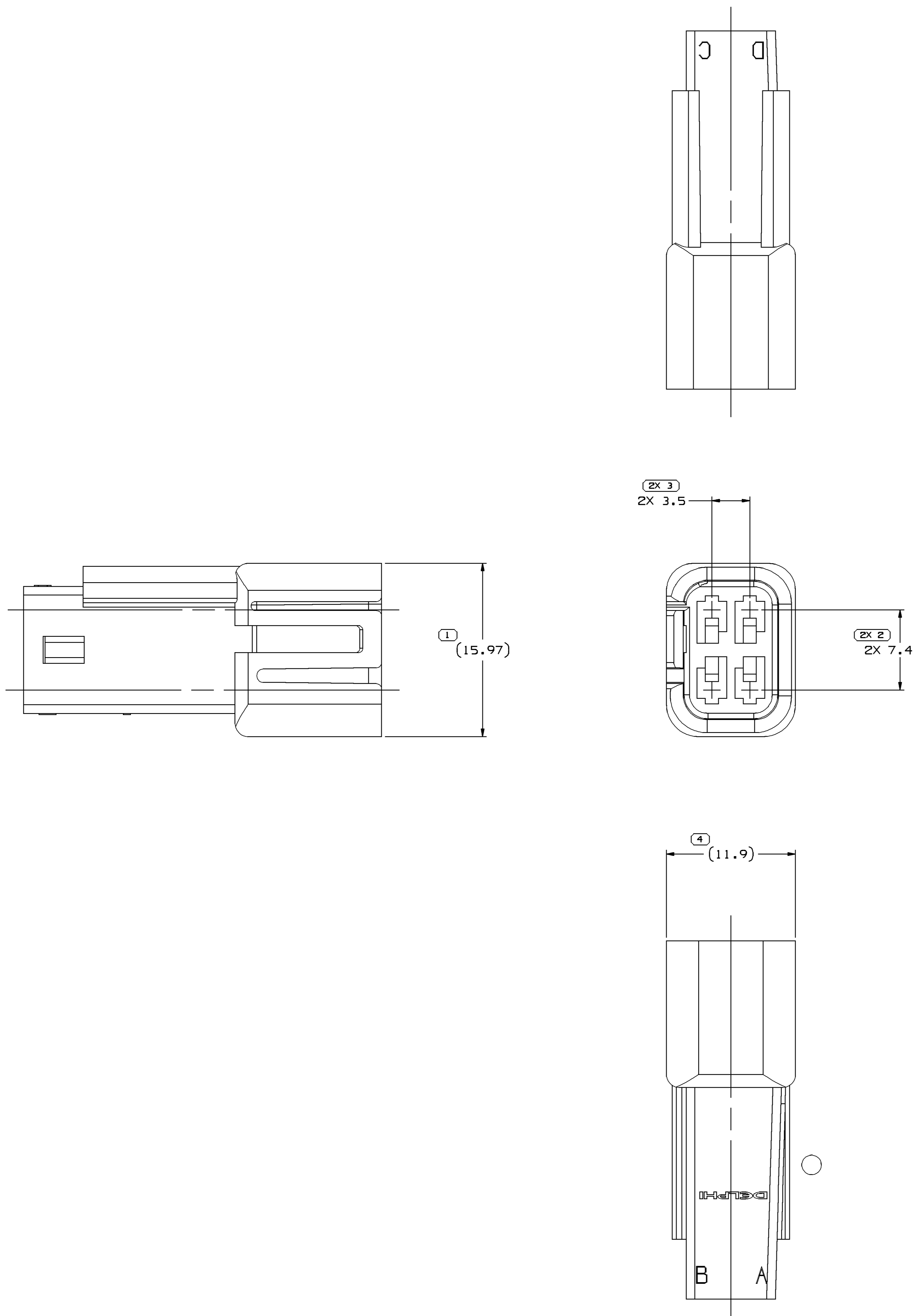


SYMBOL DEFINITION		TOTAL NO OF INSPECTIONS REQUIRED	7
A DIMENSION WITHOUT AN INSPECTION REPORT SYMBOL DOES NOT REQUIRE INSPECTION. IT MAY BE CONTROLLED ON THE INDIVIDUAL COMPONENT DRAWING.			
LAST NO. USED		5	

MISSING SYMBOLS				NO MISSING SYMBOL NUMBER	
DATE	STG	REV	N/P	CHG	ZONE
13NO02	R	01	-	-	
13JA03	R	02	-	-	
01FE06	R	03	-	-	
05JN07	R	04	-	-	

REVISION HISTORY		AUTH	DR	AP/VD
REDRAWN TO PD		233309	JYD	JYD 6M
UPDATED PDM ATTRIBUTES		235437	JYD	JYD 6M
12089247 - MAT'L SPEC WAS M3592002		276997	RTV	JVM/EST
ALL PARTS - UPDATED MATERIAL SPEC AND REMOVED RECYCLING CODE AND NOTE.		401610	ECB	AUG/BDG



- NOTES
- UNLESS OTHERWISE SPECIFIED AND/OR INDICATED:
DIMENSIONS ARE TO FACE OF VIEW SHOWN AND AUTOMATICALLY ROUNDED BY COMPUTER FOR INSPECTION (SEE MATH MODEL FOR PRECISE DIMENSIONS). FOR ALL OTHER DIMENSIONS NOT SHOWN BUT REQUIRED FOR TOOL BUILD, SEE MATH MODEL FOR PRECISE TOOL PATH DATA.
 - REFERENCE MATING COMPONENTS OR EQUIVALENT:
CONNECTOR 12047785
 - THIS CONNECTOR WILL PASS THRU A ϕ 18.5 MIN. HOLE.
 - THIS PART ACCEPTS THE FOLLOWING COMPONENTS OR EQUIVALENT:
SECONDARY LOCK 12047787
(1 PER CONNECTOR)
 - THIS PART IS NOT CONTROLLED FOR AUTOMATIC FEEDING.
 - THIS CONNECTOR LIMITED TO A MAX INSULATION CRIMP 3 HIGH AND 2.6 WIDE.
 - (2.3X10.1) RAISED DELPHI CORPORATE BRAND TO BE LOCATED ON ANY EXTERIOR SURFACE, PREFERABLY VISIBLE AT FINAL ASSEMBLY. OPTIONAL CONSTRUCTION TO BE "PED" OR NO LOGO.

PART NO	REV	N/P	STATUS	MATERIAL AND COLOR	MATING CONNECTOR	VOLUME (CM ³)
12089247	02	AA	-	POLYAMIDE COMPOUND-CRM	12089248	2.142
12066037	A9	-	-	POLYAMIDE COMPOUND-WHT	12066036	2.142
12047786	A9	-	-	POLYAMIDE COMPOUND-BLK	12047785	2.142

DIMENSIONAL RANGE (MM)		SHORT ET
FROM	> 0	> 30
TO	20	70
	30	100
	70	150
	100	200
	150	250
	200	300
	250	300
	300	400

THIRD ANGLE PROJECTION	DO NOT SCALE	USE MATH DATA

DELPHI
DELPHI PACKARD ELECTRICAL/ELECTRONIC ARCHITECTURE
M/REV: 01

DR	DATE
APV01 JESUS YEE	13NO02
APV02 JESUS YEE	13NO02
APV03 GERARDO MACIAS	13NO02
APV04	
APV05	

UNLESS OTHERWISE SPECIFIED:
THIS DOCUMENT IS IN ACCORDANCE WITH ASME Y14.5M-1994 AS MODIFIED BY THE MDC90 DIMENSIONING AND TOLERANCE PRACTICES (TP). ALL DIMENSIONS AND RELATED DATUM APPLY UNLESS OTHERWISE SPECIFIED. DIMENSIONS NOT SHOWN BUT REQUIRED FOR TOOL BUILD ARE ESTABLISHED BY ORIENTATION OR LOCATION TOLERANCES. SEPARATE POSITION CALLOUTS MAY BE SHOWN SEPARATELY. UNLESS OTHERWISE SPECIFIED, ALL DIMENSIONS ARE IN MILLIMETERS.

(N/A) PROCESS SENSITIVE DIMENSION

DIMENSIONS ENCLOSED IN () INDICATE REFERENCE DIMENSIONS AND NO TOLERANCE LIMITS ARE ESTABLISHED.

DRAWING NAME: TAXI CONN M M/P 150
DRAWING NUMBER: 12066047

SCALE	FRAME NO	SHEET NO	STG	REV	N/P
A0	5:1	1 OF 1	1	R	04