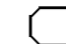
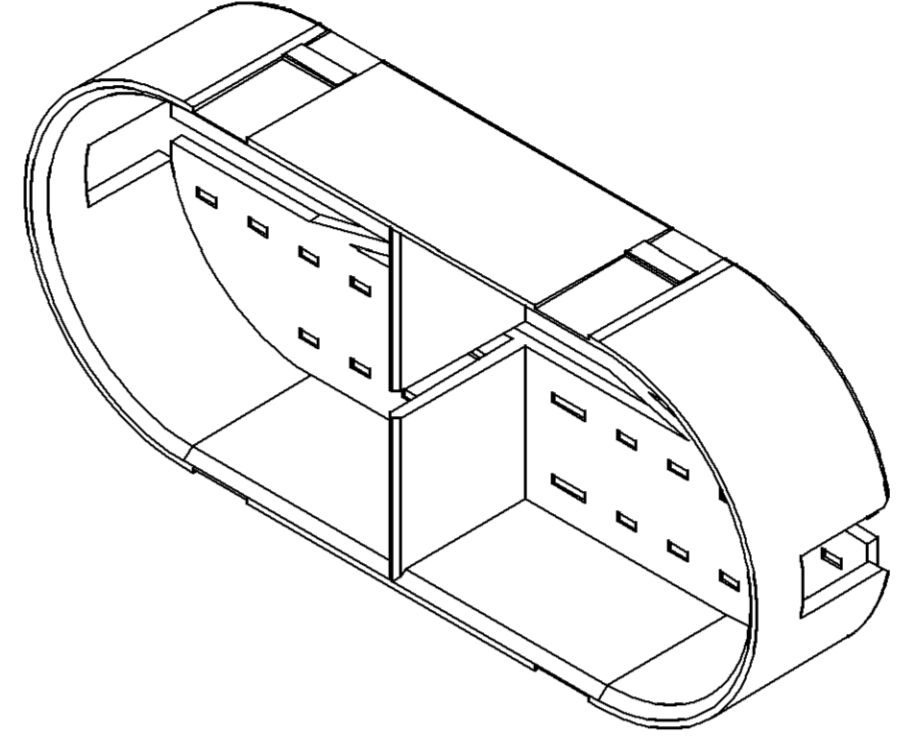
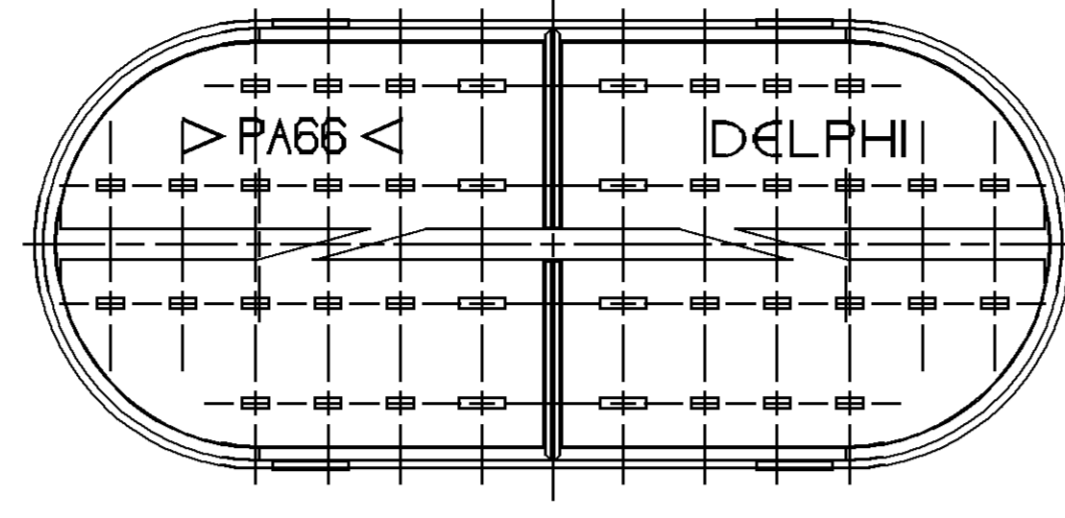
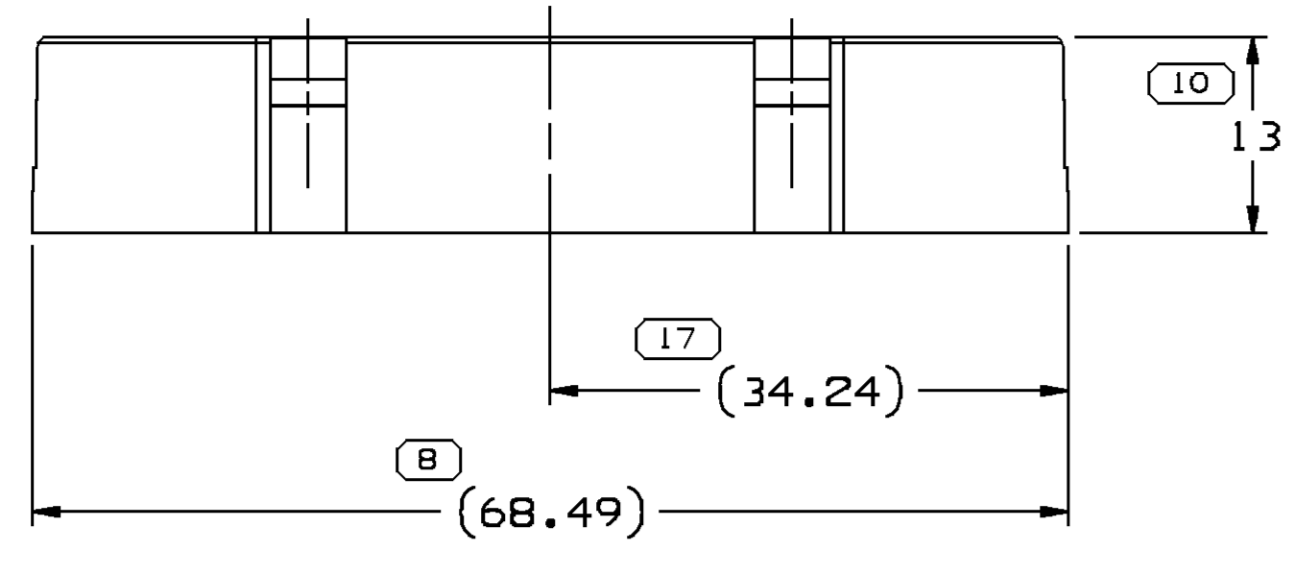
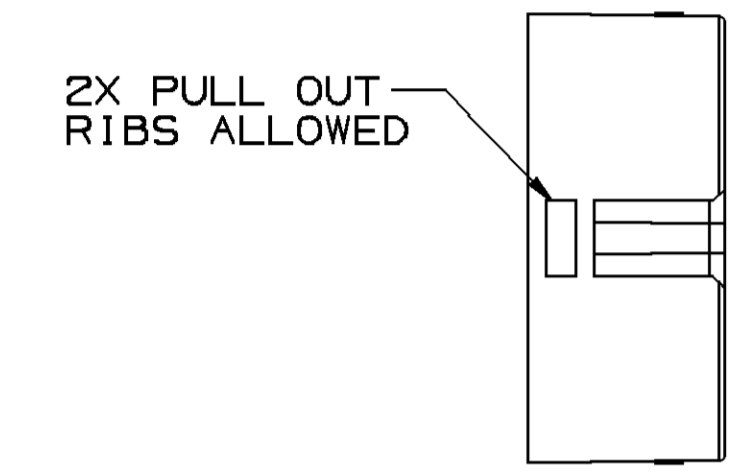


SYMBOL DEFINITION		MISSING SYMBOLS	
A DIMENSION WITHOUT AN INSPECTION REPORT SYMBOL  DOES NOT REQUIRE INSPECTION. IT MAY BE CONTROLLED ON THE INDIVIDUAL COMPONENT DRAWING.	TOTAL NO OF INSPECTIONS REQUIRED	NO MISSING SYMBOL NUMBER	20
	LAST NO. USED		20

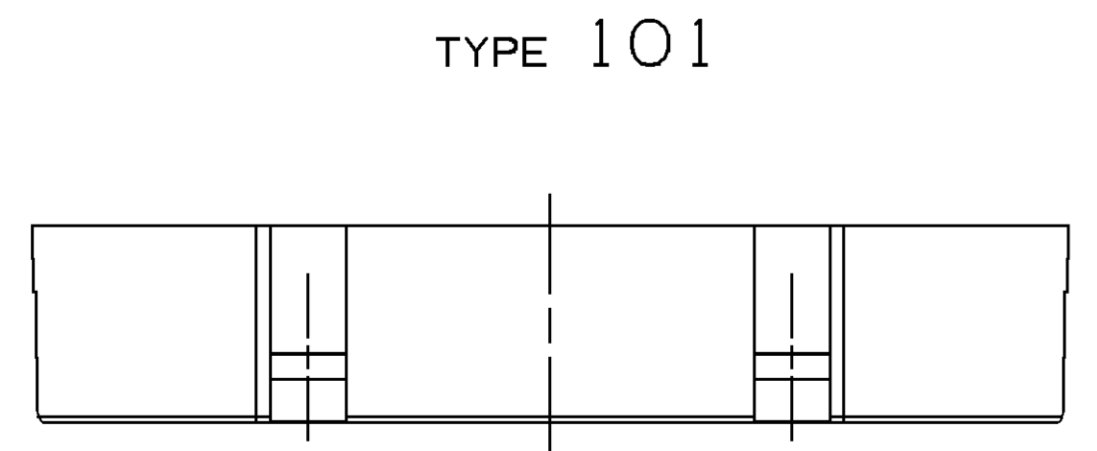
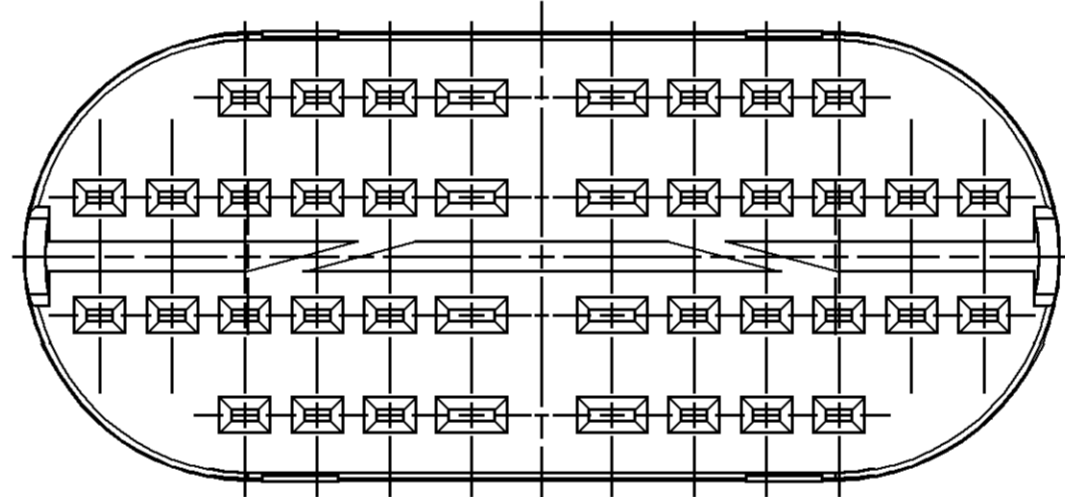
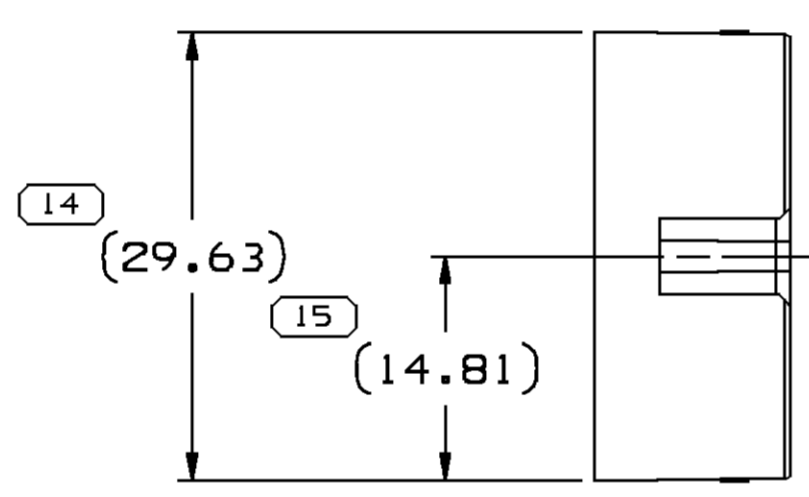
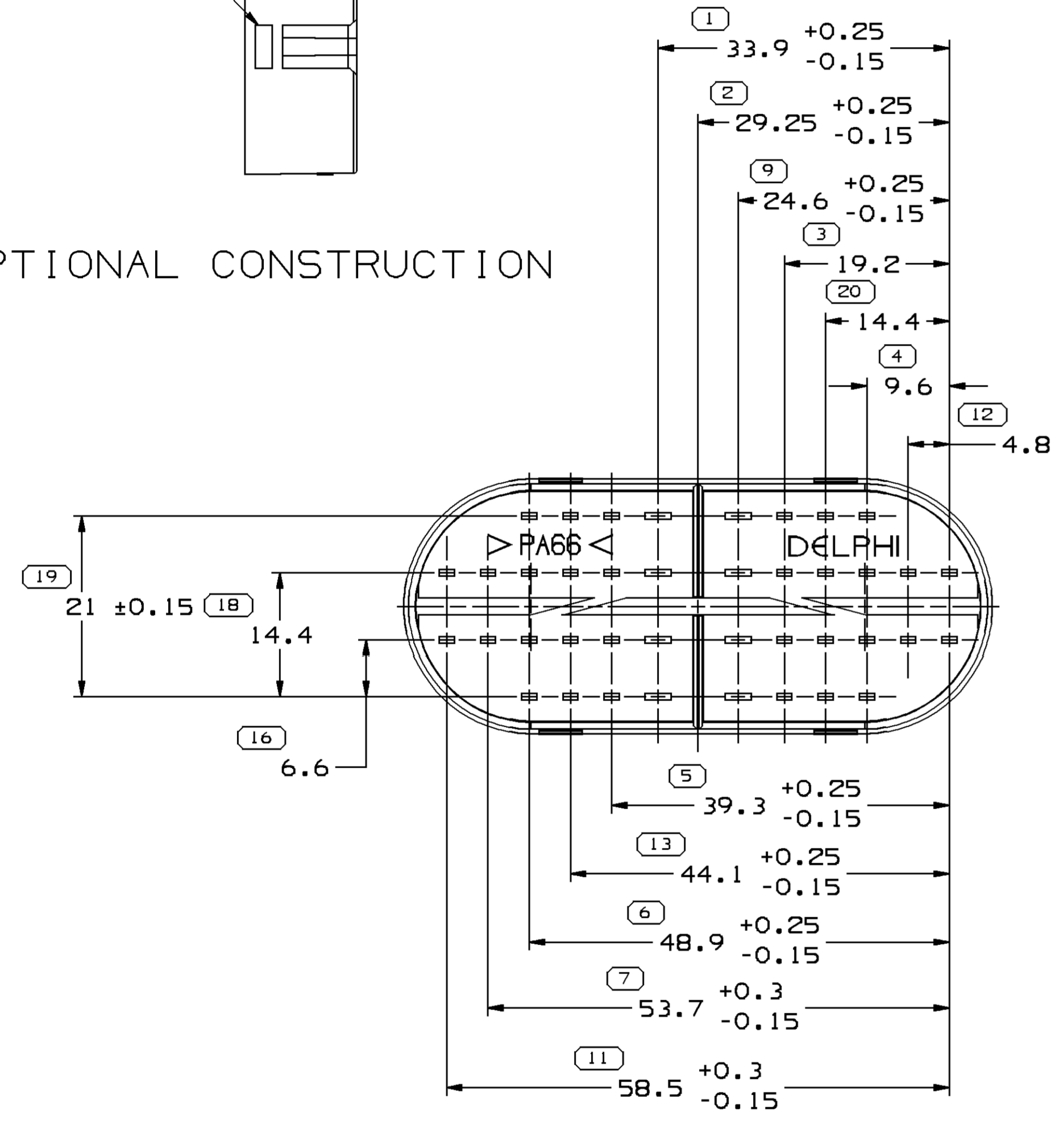
DWG STATUS				ZONE	REVISION HISTORY	AUTH	DR	APVD1	APVD2
DATE	STG	REV	N/P						
28JA04	R	01	-	-	15304902 - WAS SEPARATE DRAWING AND UPDATED PDM ATTRIBUTES; 15488824 - RELEASED	251334	JAA	JAA	JAS
10FE04	R	02	-	-	ALL PARTS - REVISED DIMS - 8 PLCS	251758	ADK	ADK	JAS
23FE04	R	03	-	-	ALL PARTS - ADDED OPTIONAL CONSTRUCTION	251929	JPB	JAA	JAS
17FE05	R	04	-	-	15304902 - OBSOLETE AND ADDED REPLACED BY COLUMN ON CHART	264746	JOA	JAA	JAS
17JA06	R	05	-	-	15304902 - REINSTATED; 15488824 - OBSOLETE	274861	CCV	AUG	JAS
03FE06	R	06	-	-	UPDATED PDM ATTRIBUTES	276413	LMB	LMB	JAS
21MR06	R	07	-	-	15304902 - MAT'L SPEC WAS M3592002	278614	ACG	FRG	PYP



TYPE 102
SAME AS TYPE 101
EXCEPT AS SHOWN
(SEE CHART)



OPTIONAL CONSTRUCTION



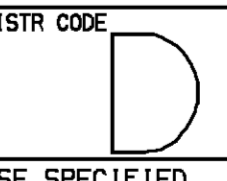
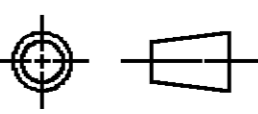
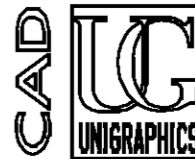
TYPE 101

NOTES

- UNLESS OTHERWISE SPECIFIED AND/OR INDICATED:
DIMENSIONS ARE TO FACE OF VIEW SHOWN AND AUTOMATICALLY ROUNDED BY COMPUTER FOR INSPECTION (SEE MATH MODEL FOR PRECISE DIMENSIONS). FOR ALL OTHER DIMENSIONS NOT SHOWN BUT REQUIRED FOR TOOL BUILD, SEE MATH MODEL FOR PRECISE TOOL PATH DATA.
- MATERIAL RECYCLING CODE PER ISO 11469. (2.3)X(0.1) RAISED CHARACTERS AS SHOWN TO BE LOCATED ON ANY EXTERIOR SURFACE. OPTIONAL CONSTRUCTION TO BE NO MATERIAL RECYCLING CODE.
- THIS PART IS NOT CONTROLLED FOR AUTOMATIC FEEDING.
- REFERENCE MATING COMPONENTS OR EQUIVALENT:
CONNECTOR 15317380
- (2.3)X(0.1) RAISED DELPHI CORPORATE BRAND TO BE LOCATED ON ANY EXTERIOR SURFACE, PREFERABLY VISIBLE AT FINAL ASSEMBLY. OPTIONAL CONSTRUCTION TO BE "PED" OR NO LOGO.

PART NO	REV	N/P	STATUS	MATERIAL SPECIFICATION AND COLOR	TYPE	VOL (CM ³)	REPLACED BY
15488824	01	AC	OBSOLETE	M3592008 PA66 HS IM BLU	102	4.270	15304902
15304902	07	-		M3592024 PA66 HS IM CRM	101	4.315	

DIMENSIONAL RANGE (MM)		CHART ET	
FROM	TO	>20	>300
>0	>20	>30	>100
>20	>30	>70	>150
>30	>70	>100	>200
>70	>100	>150	>250
>100	>150	>200	>300
>150	>200	>250	>400

DWG TYPE PART DRAWING	
STYLE	
VOLUME (CM ³) SEE CHART	DISTR CODE 
UNLESS OTHERWISE SPECIFIED THIS DOCUMENT IS IN ACCORDANCE WITH ASME Y14.5M-1994 AS AMENDED BY THE 3M GLOBAL DIMENSIONING AND TOLERANCING ADDENDUM-2001. SEPARATE PATTERNS OF FEATURES MAY BE BAGGED SEPARATELY REGARDLESS OF DATUM REFERENCES.	
ALL DIMENSIONS ARE IN MILLIMETERS	
THIRD ANGLE PROJECTION 	DO NOT SCALE USE MATH DATA 

DELPHI
DELPHI PACKARD ELECTRIC SYSTEMS
WARREN, OH

DR	DATE
APVD1 J.S. ALVARADO	02FE04
APVD2 J.S. ALVARADO	02FE04
APVD3 J.A. SVETTE	05FE04
APVD4	
APVD5	

SUBSTANCES OF CONCERN AND RECYCLED CONTENT PER DELPHI 10949001

MATERIAL SEE CHART

DRAWING NAME
TAXI MOUN STABILIZER

DRAWING NUMBER
15488825

SIZE	SCALE	FRAME NO	SHEET NO	STG	REV	N/P
A1	2:1	1 OF 1	1 OF 1	R	07	-