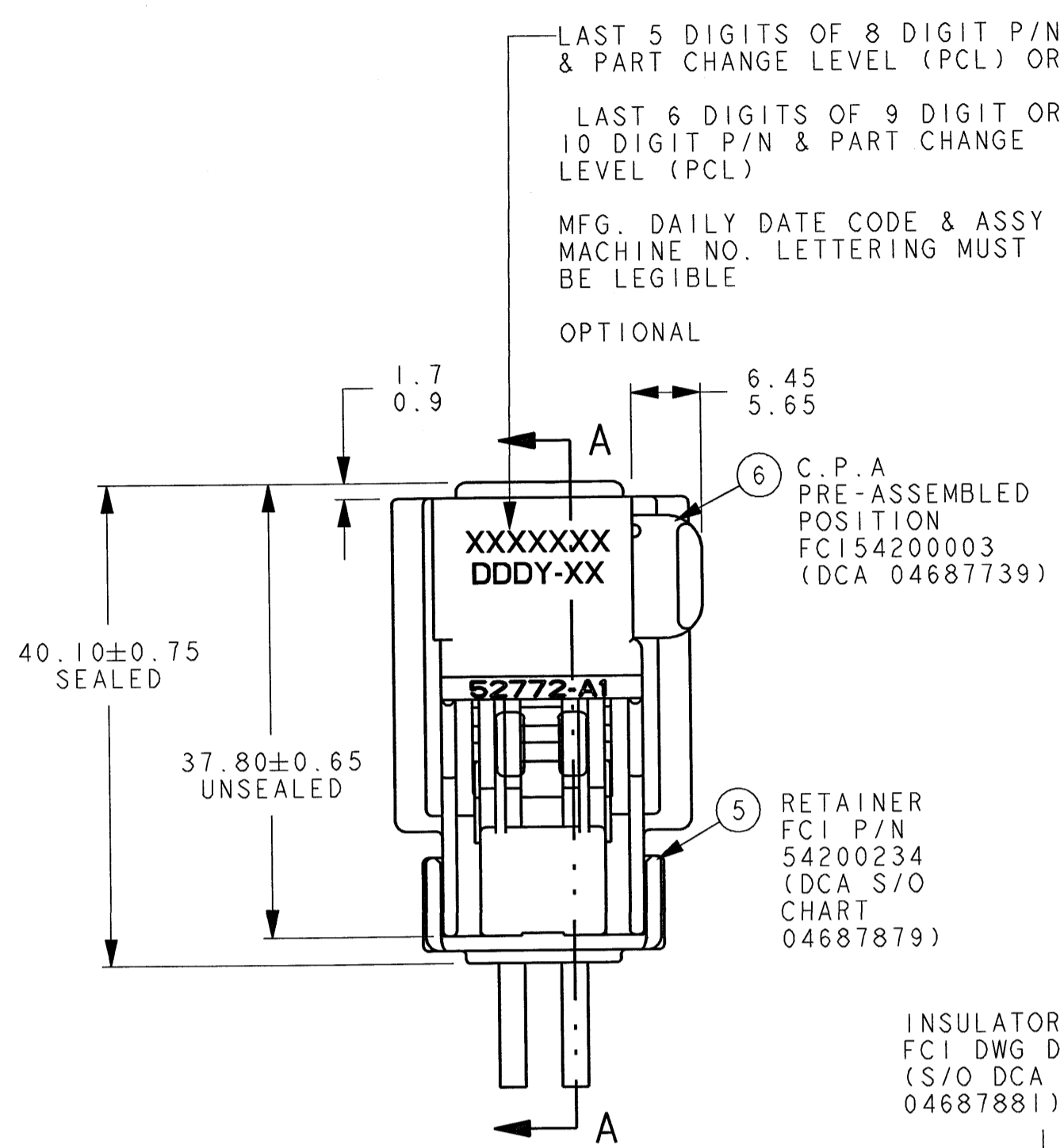
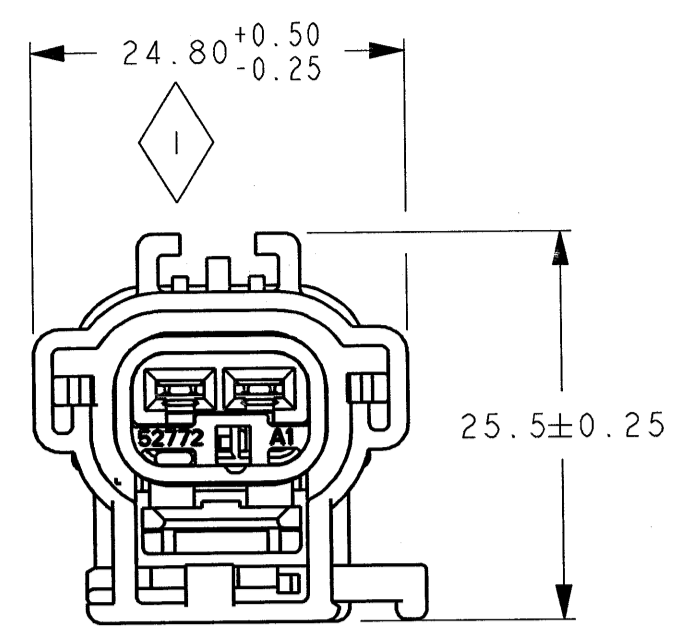
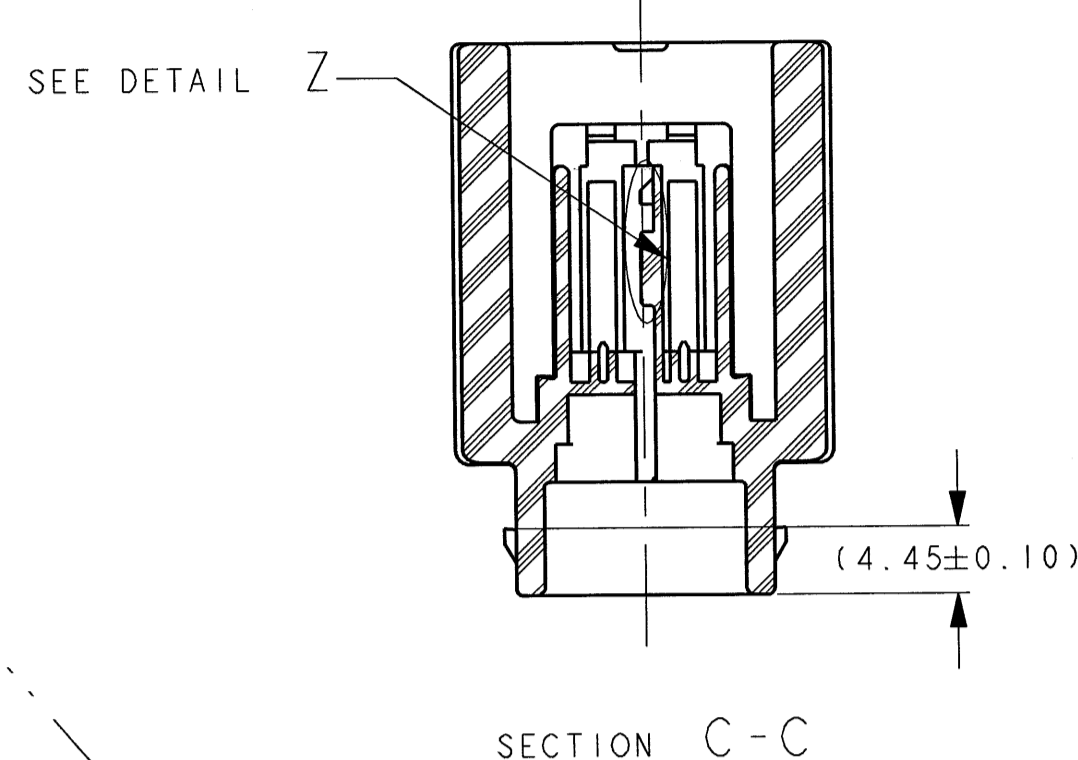
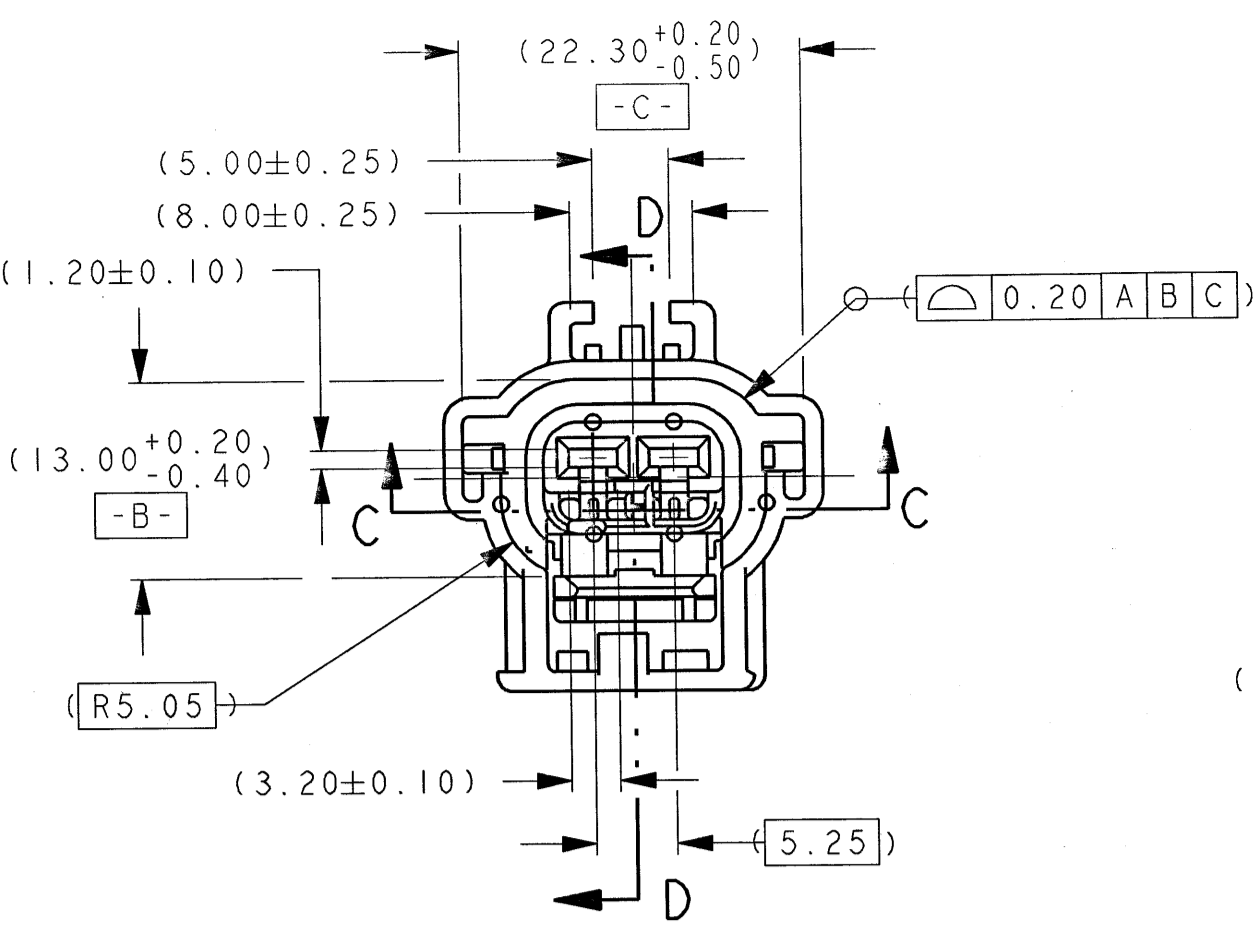


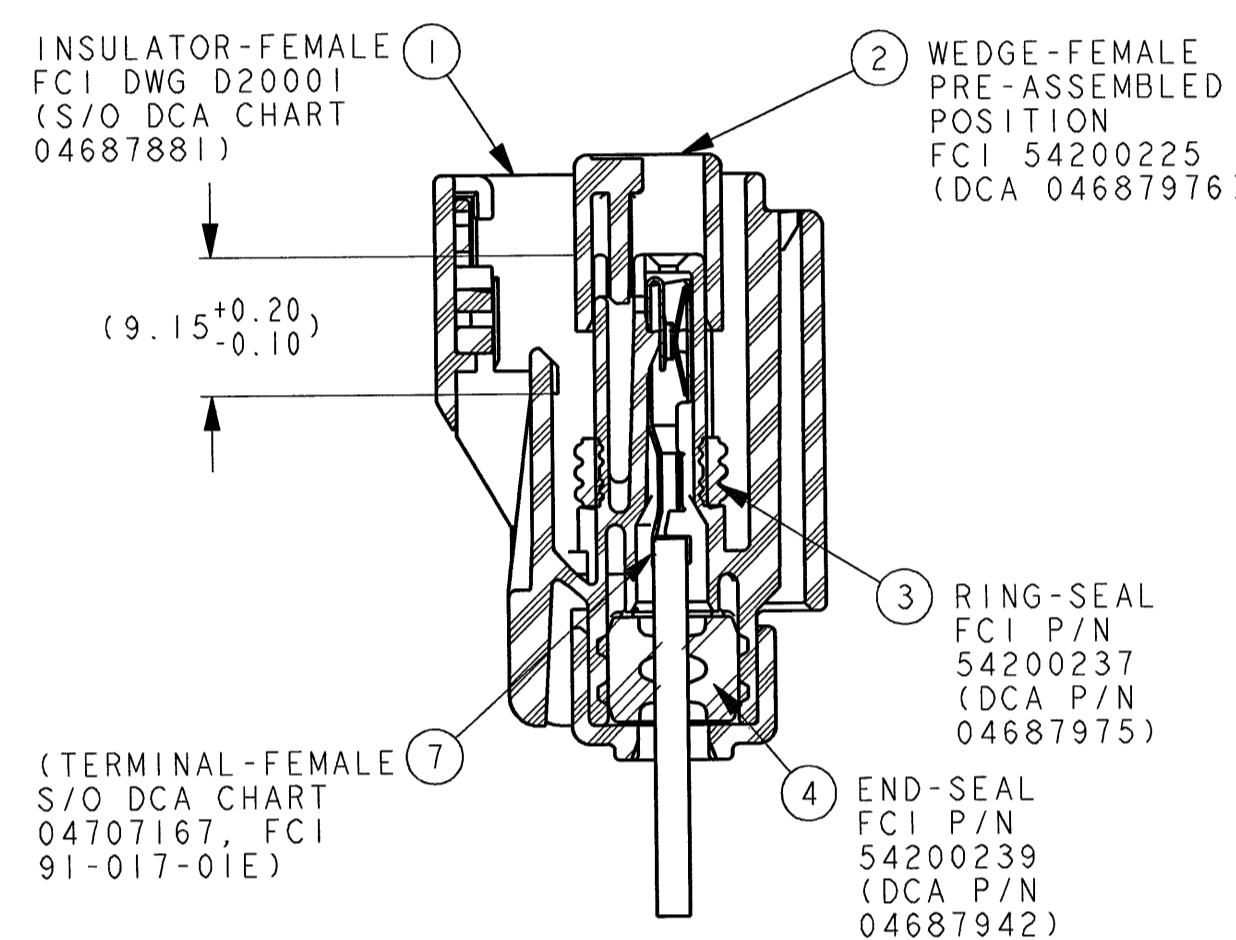
WITHOUT CPA  
SEE P/N CHART  
ALL DIMENSIONS SAME  
AS WITH CPA



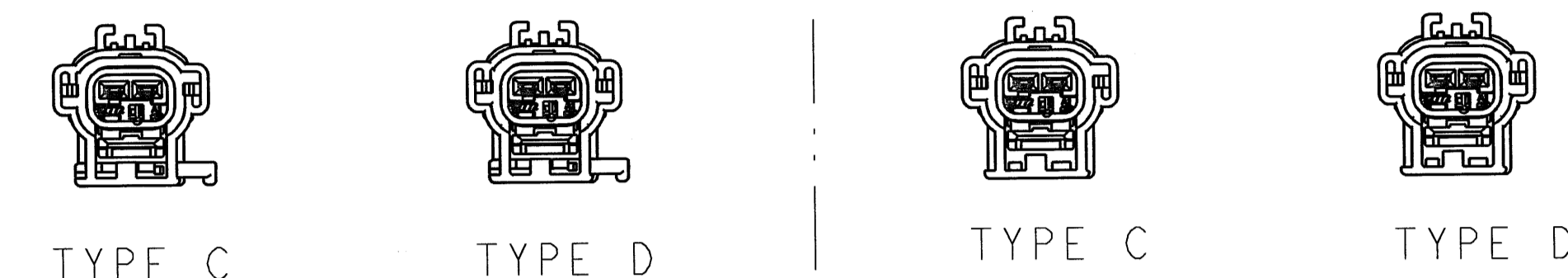
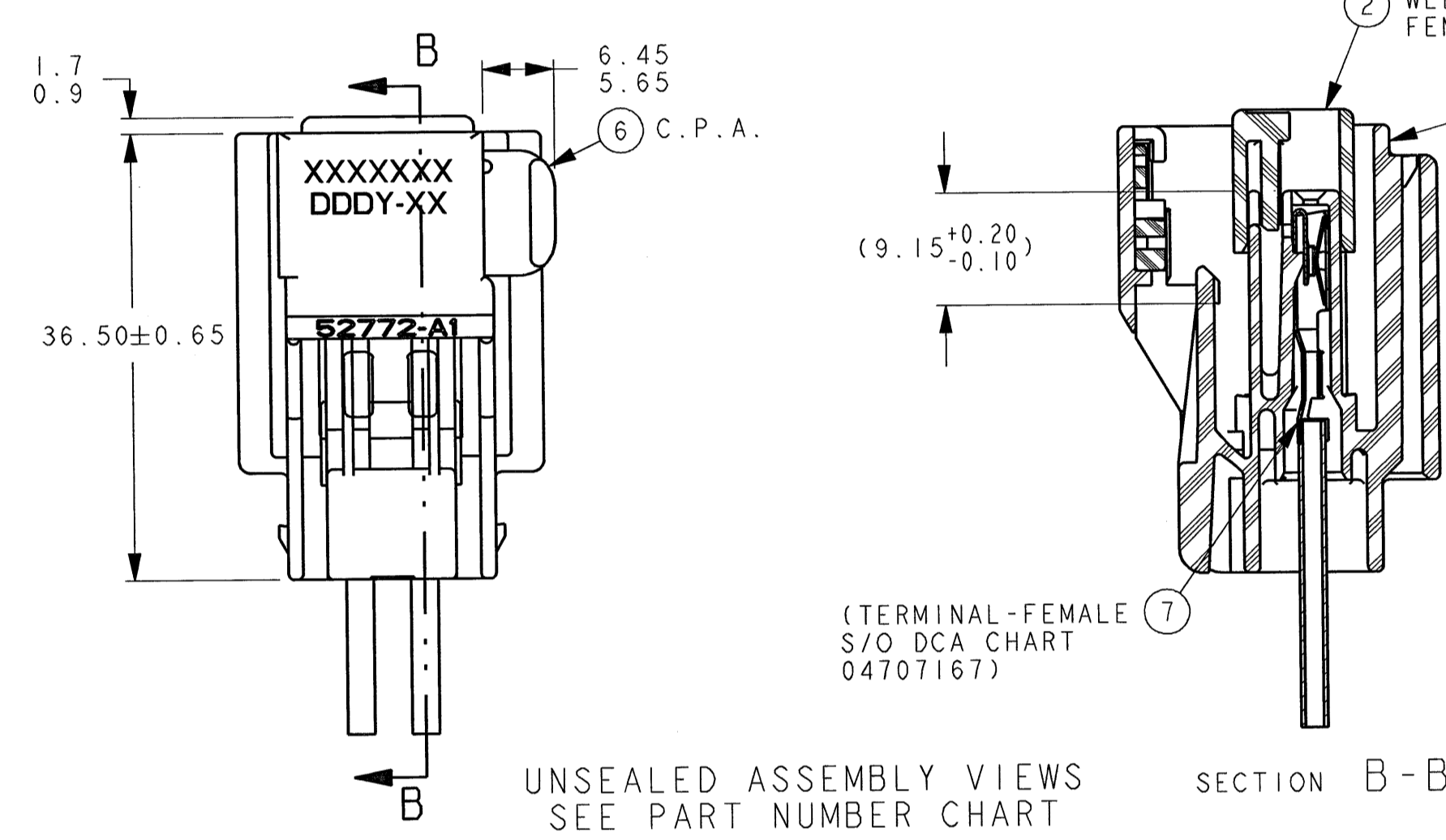
SEALED ASSEMBLY VIEWS  
SEE P/N CHART  
SHOWN WITH CPA'S



FOR REFERENCE ONLY  
INSULATOR VIEWS



SECTION A-A



POLARIZATION OPTIONS  
FULL SIZE  
SHOWN W/CPA

POLARIZATION OPTIONS  
FULL SIZE  
SHOWN W/O CPA

- NOTES:
- 1 QUALITY ASSURANCE REQUIREMENTS PER DCA PS-7300: 1 SPC DATA REQUIRED.
  - 2 ENGINEERING APPROVAL OF SUPPLIER SAMPLES IS REQUIRED PRIOR TO AUTHORIZATION OF PART PRODUCTION.
  - 3 CHANGES IN DESIGN COMPOSITION OR PROCESSING FROM THE PART PREVIOUSLY APPROVED FOR PART PRODUCTION REQUIRES PRIOR ENGINEERING APPROVAL.
  - 4 WIRING FABRICATORS MUST PURCHASE FROM SOURCES SHOWN.
  - 5 ALL THE SEALED CONNECTOR APPLICATIONS MUST BE USED WITH DCA WIRE SPEC. MS-8288 OR MS-9502 THIN WALL X-LINK ONLY.
    - A- ASSEMBLIES WITH FCI P/N 54200239 OR 54200240 END SEAL MUST BE USED WITH 20 THRU 14 GAGR WIRES (INS. Ø1.70 MIN - Ø2.7 MAX).
    - B- ASSEMBLIES WITH FCI P/N 54200241 END SEAL MUST BE USED WITH 12 OR 10 GAGE WIRES (INS. Ø3.07 MIN - Ø4.09 MAX).
  - 6 FCI P/N'S 54200238 RING SEAL & 54200240 END SEAL BAKED AT 450°F FOR 5 HOURS.
  - 7 ALL NON-SEALED APPLICATIONS MAY BE USED WITH ANY WIRE INSULATION 22 GAGE THRU 10 GAGE (EXCEPT AS NOTED) PROVIDING THAT A TERMINAL GRIP FOR THAT CORE/INSULATION COMBINATION IS SHOWN ON THE FEMALE TERMINAL DRAWING.
    - MAX. INSULATION CRIMP WIDTH = 4.50
    - MAX. INSULATION CRIMP HEIGHT = 4.50
    - MAX. INSULATION DIA = 4.09 (10 GA THIN WALL)
  - 8 USE WITH CAVITY PLUG FCI P/N 54200005 (DCA P/N 56038308) WHEN REQ'D USE WITH DOUBLE X-MAS TREE CLIP DCA P/N 04707091 WHEN REQUIRED USE WITH SINGLE X-MAS TREE CLIP DCA P/N 04625797 WHEN REQUIRED
  - 9 DIRECT CONNECT DRAWING NO. 04707027
  - 10 TEST METHOD PER DCA PERFORMANCE SPEC# PF-9600. CONNECTOR ENGAGE & DISENGAGE WITH LATCH DEPRESSED FORCE NOT TO EXCEED 75 N.FOR THIS SYSTEM.
    - CPA SEATING FORCES - 40 N. MAX
    - WEDGE SEATING FORCES - 100 N. MAX
    - X-MAS TREE CLIP INSERTION FORCES - 75 N. MAX
  - 11 SUPPLIER, MOLD & CAVITY I.D. SIGNIFIES TOOL OWNERSHIP, FOR REFERENCE
  - 12 ANNUAL QUALITY REQUIREMENTS: IT IS PERMISSIBLE TO PERFORM CONTINUOUS CONFORMANCE PER FCI SPECIFICATION #40A-001 INSTEAD OF ANNUAL LAYOUT & ANNUAL PV REQUIREMENTS OF QS-9000 SECTION 2 & PF-9600
  - ALL NON-REFERENCE DIMENSIONS ARE REQUIRED:
    - USE INDEX A, BLACK SEALED AND UNSEALED FOR ALL AFFECTED INSULATOR CAVITIES
    - CURRENT PRODUCTION TOOLING
    - POINT OF LAST RUN
  - 13 SERVICE TOOLING GUIDE INFORMATION PER APEX TRAINING MANUAL
  - 14 FCI P/N 54200259 NOT PRODUCED USE FCI P/N 55200200

INDEX TYPE	COLOR	SEALED/UNSEALED	DCA APPLICATION			MATING ASSEMBLY PART NUMBER FOR REFERENCE ONLY		
			FCI (DCA)	YNA	FCI (DCA)	YNA	FCI (DCA)	YNA
D	NATURAL	UNSEALED	54200203N	N/A	N/A	55200209	DIRECT CONNECT APPLICATION	N/A
		SEALED	54200203	04687920	7283-5373	55200209	DIRECT CONNECT APPLICATION	N/A
	TAN	SEALED	54200262	N/A	N/A	54200274	DIRECT CONNECT APPLICATION	N/A
		SEALED	54200209N	N/A	N/A	55200205	DIRECT CONNECT APPLICATION	N/A
C	DK GREY	UNSEALED	54200202N	N/A	N/A	55200208	DIRECT CONNECT APPLICATION	N/A
		SEALED	54200202	04687919	7283-5372-10	55200208	DIRECT CONNECT APPLICATION	N/A
	DK BROWN	SEALED	54200281	N/A	N/A	54200275	DIRECT CONNECT APPLICATION	N/A
		SEALED	54200208N	N/A	N/A	55200204	DIRECT CONNECT APPLICATION	N/A
B	LT GREY	UNSEALED	54200201N	N/A	N/A	54200205	N/A	N/A
		SEALED	54200201	04687918	7283-5371-40	54200205	04687924	-
	DK BLUE	SEALED	54200280	N/A	N/A	54200274	N/A	N/A
		SEALED	54200207N	N/A	N/A	54200211	N/A	N/A
A	LT GRN	UNSEALED	54200251N	N/A	N/A	54200214	04687922	-
		SEALED	54200251	04687923	7283-5359-40	54200211	04687922	-
	BLACK	UNSEALED	54200251N	N/A	N/A	54200233	N/A	N/A
		SEALED	54200212N	N/A	N/A	54200233	04687933AA	N/A
INDEX TYPE	COLOR	SEALED/UNSEALED	FCI (DCA)	YNA	FCI (DCA)	YNA	FCI (DCA)	YNA

DCA APPLICATION	UNSEALED				SEALED			
	W/O CPA	W/CPA	W/CPA	W/O CPA	W/O CPA	W/CPA	W/CPA	W/O CPA
FCI P/N'S (DCA P/N'S)	54200251N	54200201N	54200202N	54200203N	54200251	54200201	54200202	54200203
FCI P/N'S (DCA P/N'S)	54200251N	54200201N	54200202N	54200203N	54200251	54200201	54200202	54200203
FCI P/N'S (DCA P/N'S)	54200251N	54200201N	54200202N	54200203N	54200251	54200201	54200202	54200203

UNSEALED				SEALED			
FCI P/N'S	DCA P/N'S	YNA P/N'S	FCI P/N'S	DCA P/N'S	YNA P/N'S	FCI P/N'S	DCA P/N'S
54200251	04687923	7283-5358-30	54200201	04687918	7283-5371-40	54200202	04687919
54200203	04687920	7283-5373	54200202	04687919	7283-5372-10	54200201	04687918
54200202	04687919	7283-5372-10	54200201	04687918	7283-5371-40	54200203	04687920
54200201	04687918	7283-5371-40	54200203	04687920	7283-5373	54200202	04687919
54200203	04687920	7283-5373	54200201	04687918	7283-5371-40	54200202	04687919
54200201	04687918	7283-5371-40	54200202	04687919	7283-5372-10	54200203	04687920
54200202	04687919	7283-5372-10	54200203	04687920	7283-5373	54200201	04687918
54200203	04687920	7283-5373	54200201	04687918	7283-5371-40	54200202	04687919
54200201	04687918	7283-5371-40	54200202	04687919	7283-5372-10	54200203	04687920
54200202	04687919	7283-5372-10	54200203	04687920	7283-5373	54200201	04687918
54200203	04687920	7283-5373	54200201	04687918	7283-5371-40	54200202	04687919
54200201	04687918	7283-5371-40	54200202	04687919	7283-5372-10	54200203	04687920
54200202	04687919	7283-5372-10	54200203	04687920	7283-5373	54200201	04687918
54200203	04687920	7283-5373	54200201	04687918	7283-5371-40	54200202	04687919
54200201	04687918	7283-5371-40	54200202	04687919	7283-5372-10	54200203	04687920
54200202	04687919	7283-5372-10	54200203	04687920	7283-5373	54200201	04687918
54200203	04687920	7283-5373	54200201	04687918	7283-5371-40	54200202	04687919
54200201	04687918	7283-5371-40	54200202	04687919	7283-5372-10	54200203	04687920
54200202	04687919	7283-5372-10	54200203	04687920	7283-5373	54200201	04687918
54200203	04687920	7283-5373	54200201	04687918	7283-5371-40	54200202	04687919
54200201	04687918	7283-5371-40	54200202	04687919	7283-5372-10	54200203	04687920
54200202	04687919	7283-5372-10	54200203	04687920	7283-5373	54200201	04687918
54200203	04687920	7283-5373	54200201	04687918	7283-5371-40	54200202	04687919
54200201	04687918	7283-5371-40	54200202	04687919	7283-5372-10	54200203	04687920
54200202	04687919	7283-5372-10	54200203	04687920	7283-5373	54200201	04687918
54200203	04687920	7283-5373	54200201	04687918	7283-5371-40	54200202	04687919
54200201	04687918	7283-5371-40	54200202	04687919	7283-5372-10	54200203	04687920
54200202	04687919	7283-5372-10	54200203	04687920	7283-5373	54200201	04687918
54200203	04687920	7283-5373	54200201	04687918	7283-5371-40	54200202	04687919
54200201	04687918	7283-5371-40	54200202	04687919	7283-5372-10	54200203	04687920
54200202	04687919	7283-5372-10	54200203	04687920	7283-5373	54200201	04687918
54200203	04687920	7283-5373	54200201	04687918	7283-5371-40	54200202	04687919
54200201	04687918	7283-5371-40	54200202	04687919	7283-5372-10	54200203	04687920
54200202	04687919	7283-5372-10	54200203	04687920	7283-5373	54200201	04687918
54200203	04687920	7283-5373	54200201	04687918	7283-5371-40	54200202	04687919
54200201	04687918	7283-5371-40	54200202	04687919	7283-5372-10	54200203	04687920
54200202	04687919	7283-5372-10	54200203	04687920	7283-5373	54200201	04687918
54200203	04687920	7283-5373	54200201	04687918	7283-5371-40	54200202	04687919
54200201	04687918	7283-5371-40	54200202	04687919	7283-5372-10	54200203	04687920
54200202	04687919	7283-5372-10	54200203	04687920	7283-5373	54200201	04687918
54200203	04687920	7283-5373	54200201	04687918	7283-5371-40	54200202	04687919
54200201	04687918	7283-5371-40	54200202	04687919	7283-5372-10	54200203	04687920
54200202	04687919	7283-5372-10	54200203	04687920	7283-5373	54200201	04687918
54200203	04687920	7283-5373	54200201	04687918	7283-5371-40	54200202	04687919
54200201	04687918	7283-5371-40	54200202	04687919	7283-5372-10	54200203	04687920
54200202	04687919	7283-5372-10	54200203	04687920	7283-5373	54200201	04687918
54200203	04687920	7283-5373	54200201	04687918	7283-5371-40	54200202	04687919
54200201	04687918	7283-5371-40	54200202	04687919	7283-5372-10	54200203	04687920
54200202	04687919	7283-5372-10	54200203	04687920	7283-5373	54200201	04687918
54200203	04687920	7283-5373	54200201	04687918	7283-5371-40	54200202	04687919
54200201	04687918	7283-5371-40	54200202	04687919	7283-5372-10	54200203	04687920
54200202	04687919	7283-5372-10	54200203	04687920	7283-5373	54200201	04687918
54200203	04687920	7283-5373	54200201	04687918	7283-5371-40	54200202	04687919
54200201	04687918	7283-5371-40	54200202	04687919	7283-5372-10	54200203	04687920
54200202	04687919	7283-5372-10	54200203	04687920	7283-5373	54200201	04687918
54200203	04687920	7283-5373	54200201	04687918	7283-5371-40	54200202	04687919
54200201	04687918	7283-5371-40	54200202	04687919	7283-5372-10	54200203	04687920
54200202	04687919	7283-5372-10	54200203	04687920	7283-5373	54200201	04687918
54200203	04687920	7283-5373	54200201	04687918	7283-5371-		