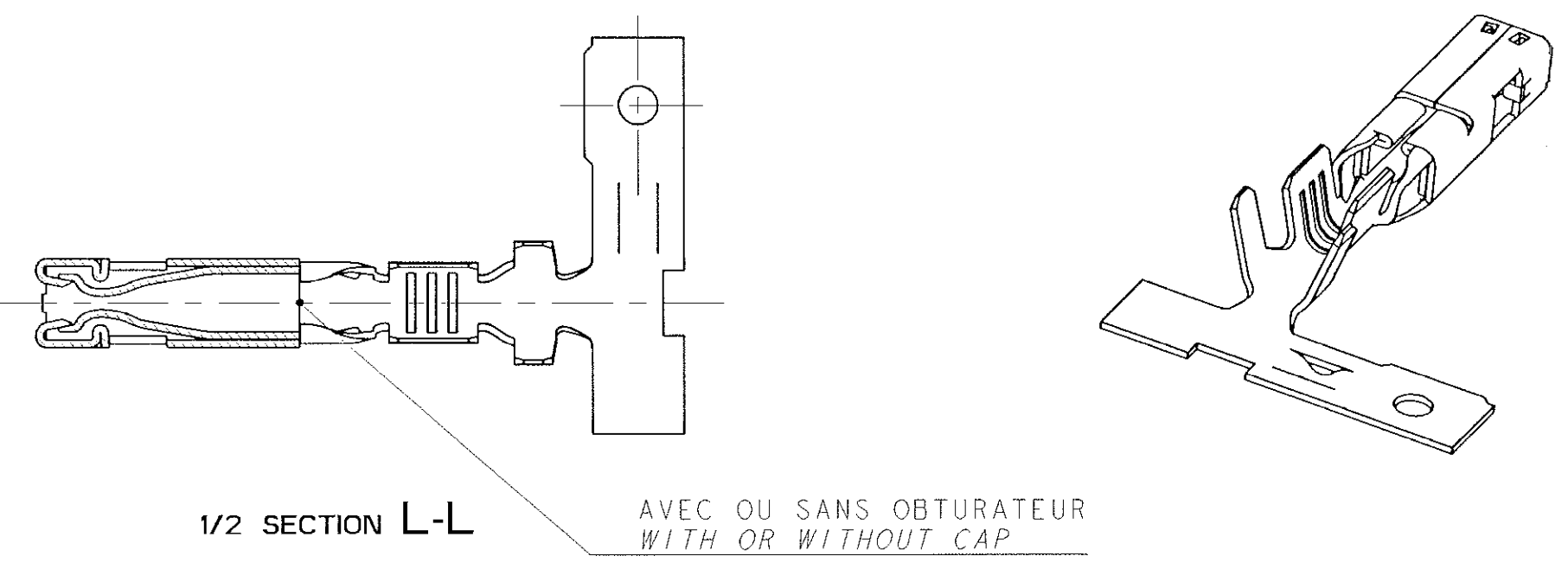
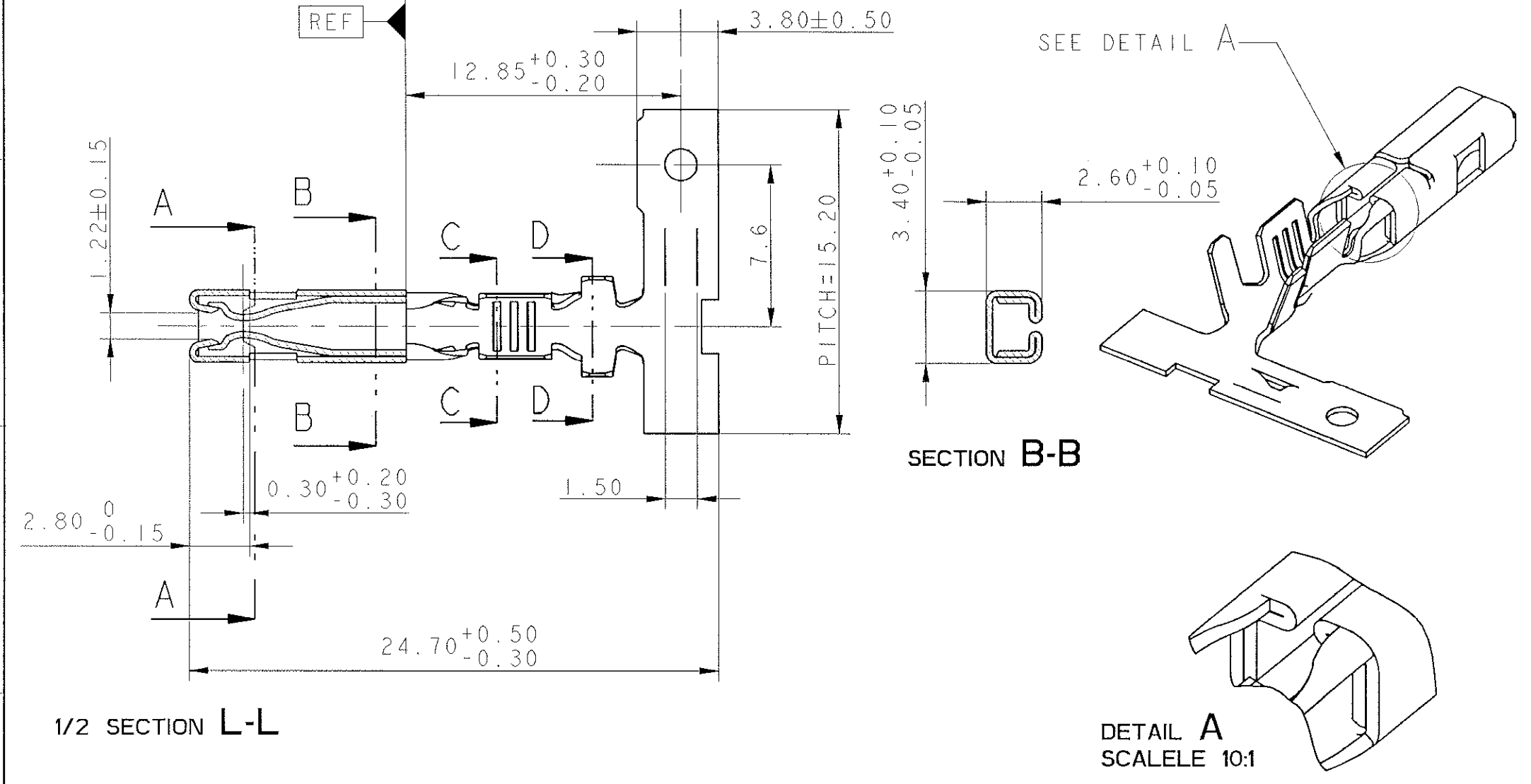
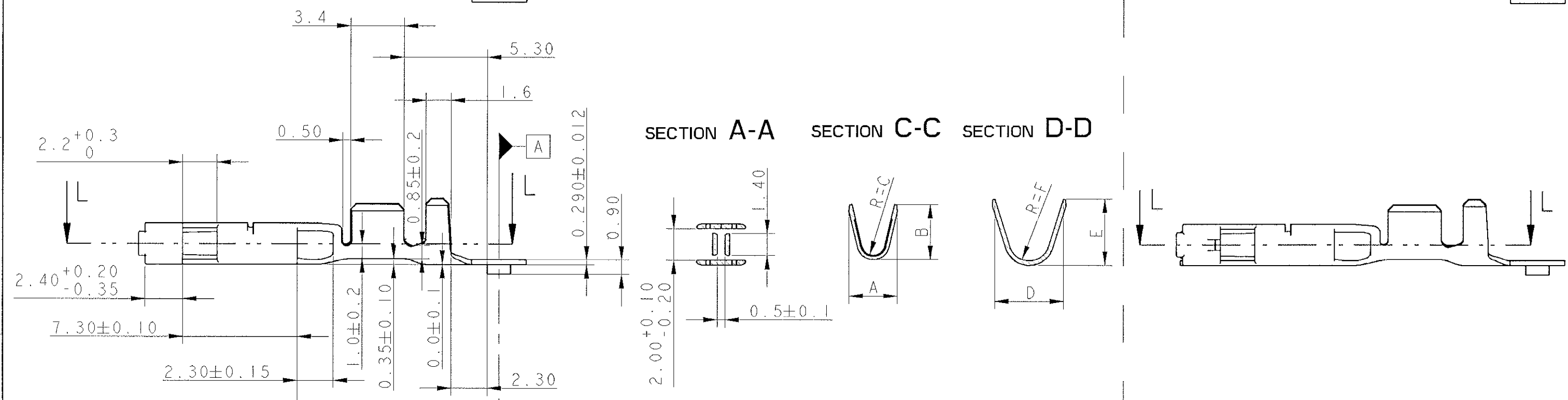
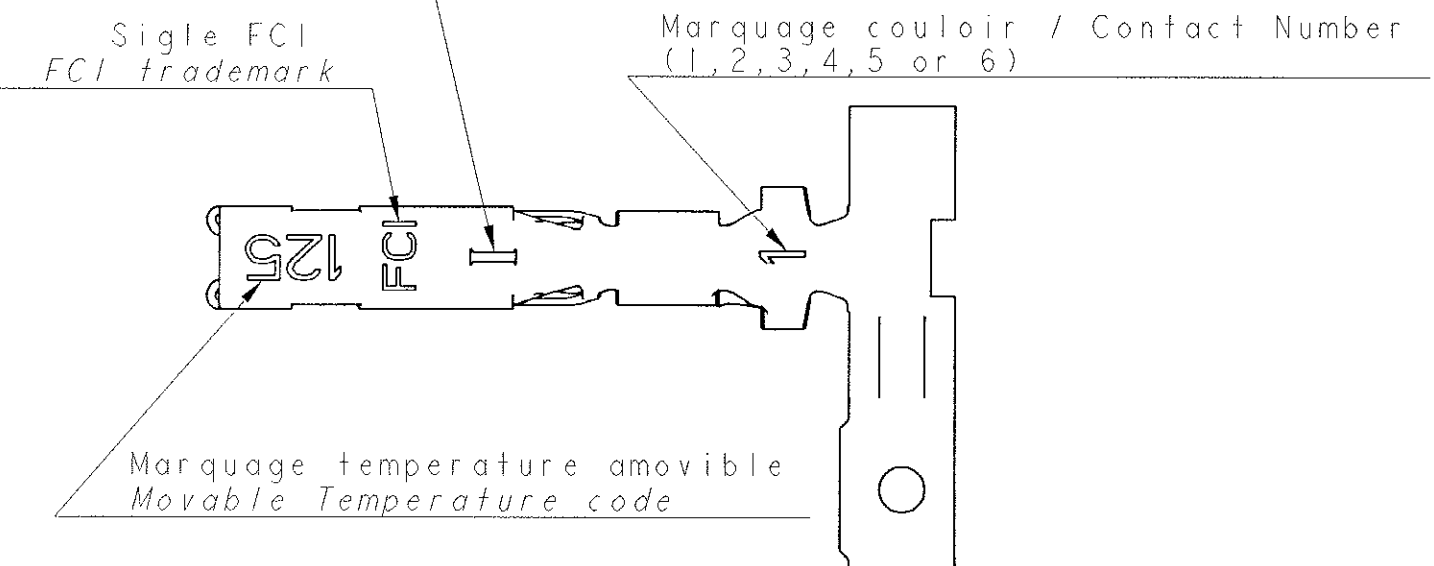


Repère amovible / Movable country code  
 I= Italie / Italy  
 sans / Without=France / French

FORME ACCEPTEE / ACCEPTED FORM



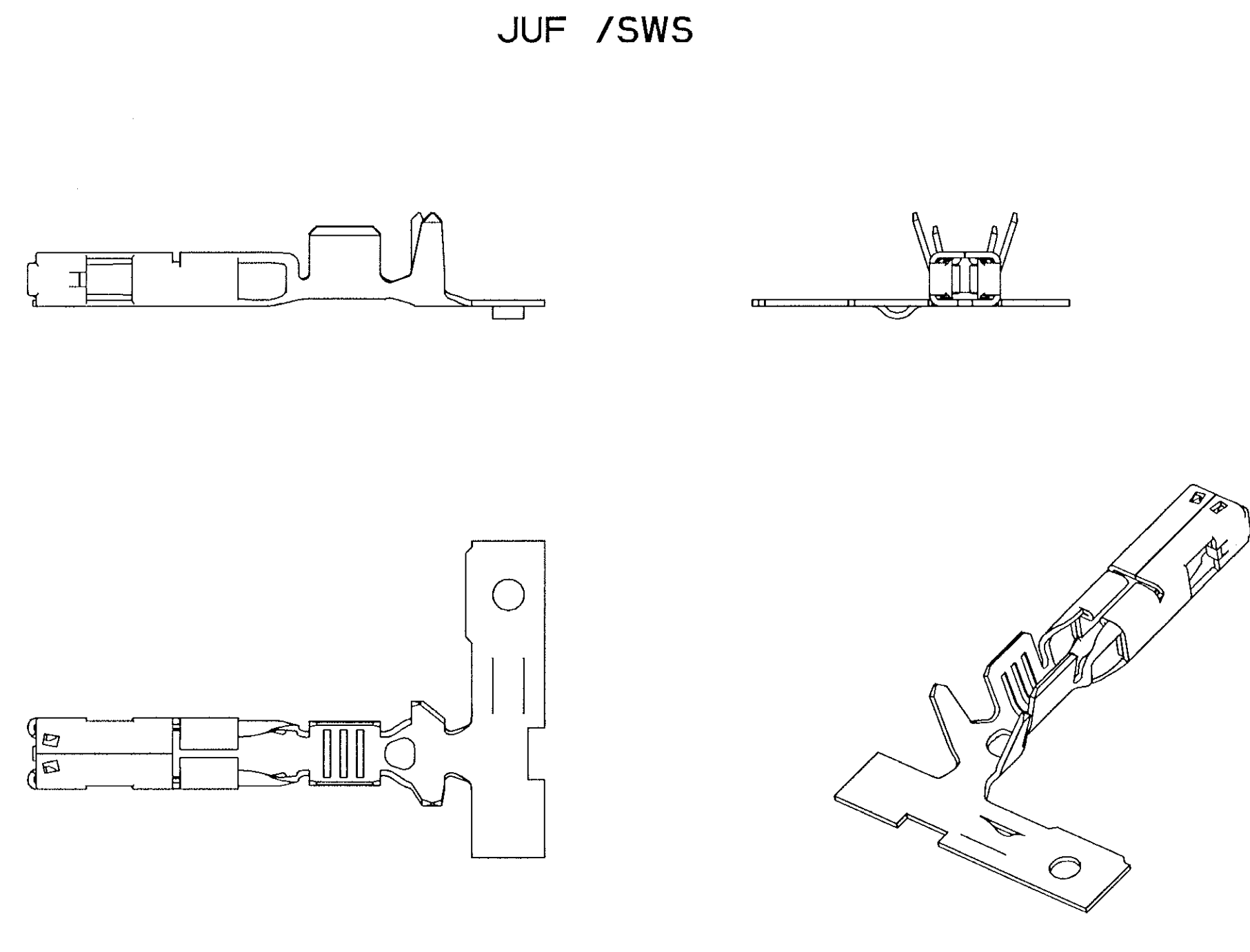
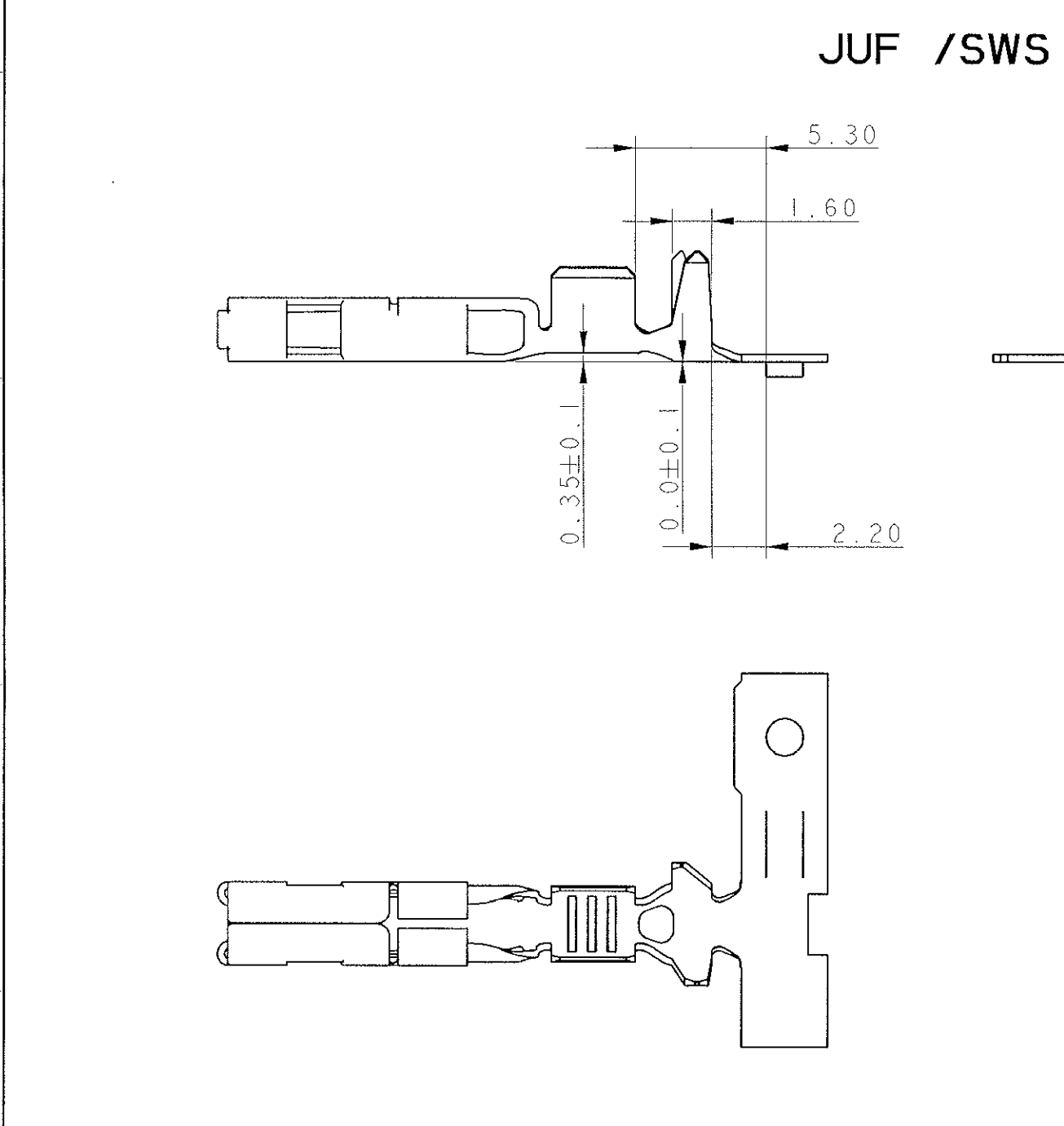
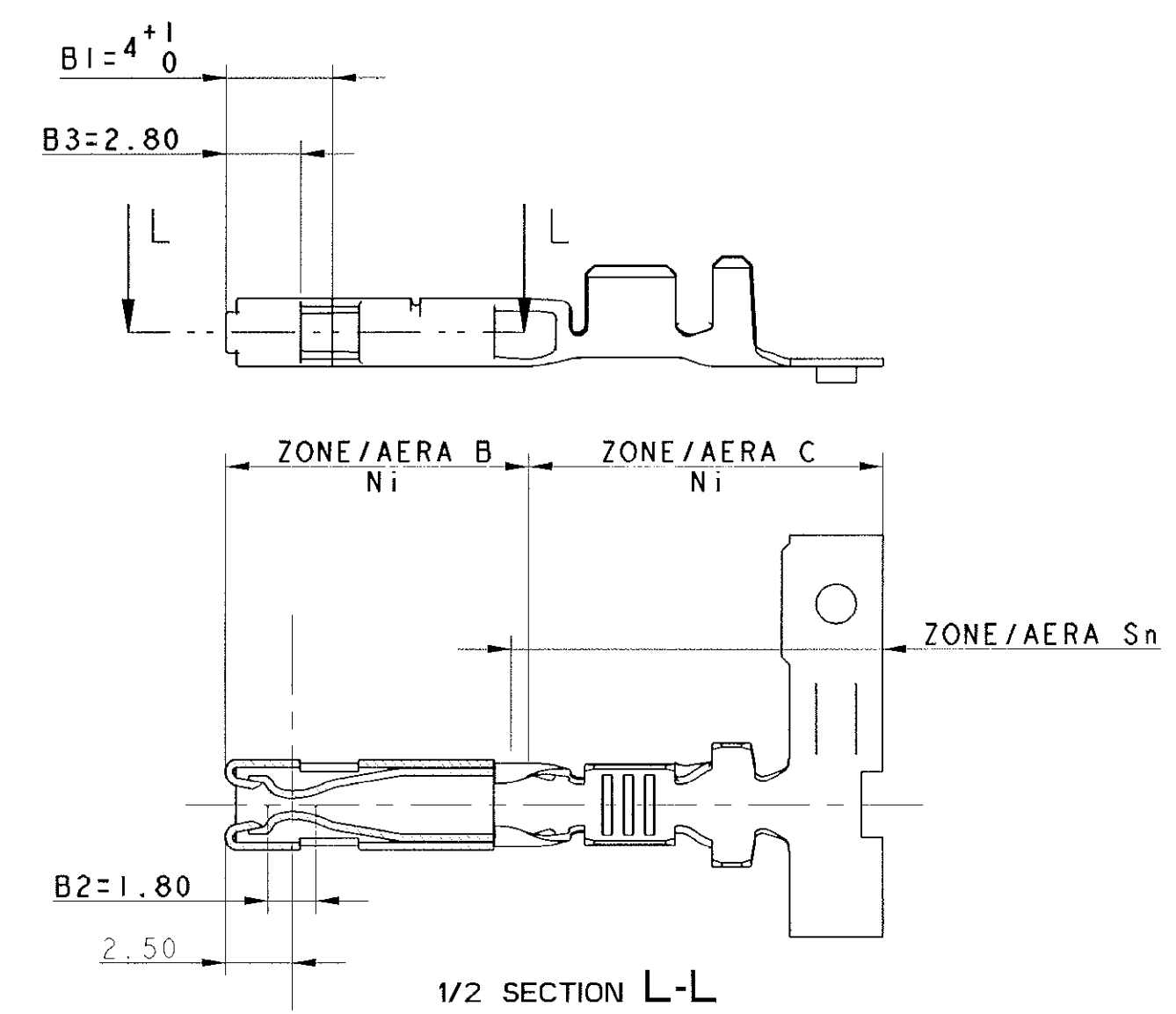
Etat / State	Références								Material	Classe
	JUF / SWS	JUF / SWS	JUF / SWS	JUF / SWS	JUF / SWS	JUF / SWS	JUF / SWS	JUF / SWS		
Pré-étamé / Pre-tinned Sn 1 to 3µ	211 CC 2 S 0150		211 CC 2 S 1150		211 CC 2 S 4150		211 CC 2 S 2150		Cu Zn 15	85/105*
Pré-étamé / Pre-tinned Sn 1 to 3µ	211 CC 2 S 0160	211 CC 2 S 0161	211 CC 2 S 1160	211 CC 2 S 1161	211 CC 2 S 4160	211 CC 2 S 4161	211 CC 2 S 2160	211 CC 2 S 2161	Cu Fe 2P	125/155*
Post-doré / Post-golded 0.2µ int/ext	211 CC 2 S 0260		211 CC 2 S 1260	211 CC 2 S 1261					Cu Fe 2P	125/155*
Pré-pisté / Pre-tracked 1.27µ int	211 CC 2 S 0460		211 CC 2 S 1460	211 CC 2 S 1461	211 CC 2 S 4460		211 CC 2 S 2460		Cu Fe 2P	125/155*
Pré-pisté / Pre-tracked 0.8µ int-0.4 ext			211 CC 2 S 1560						Cu Fe 2P	125/155*
Section / Gauge	0.22 to 0.35		0.4 to 0.75		0.8 to 1.3		1.35 to 2			
Ø Isolant / Insulation	1.2 to 1.35		1.3 to 2.1		1.8 to 2.6		2.1 to 2.7			
A	1.53		2.6		2.75		3.1			
B	1.87		2.2		2.93		3.5			
R=C	0.33		0.75		0.64		0.75			
D	2.87	4.7	4.2	4.7	4.50	5	4.7	5		
E	3.05	4.15	3.3	4.15	4.30	4.5	4.2	4.5		
R=F	0.68	1.35	1.3	1.35	1.12	1.35	1.3	1.35		
Quantité par bobine / Quantity per reel	5000	4000	5000	4000	4000	4000	4000	4000		
POIDS DU CARTON / BOX WEIGHT	13.4 KG		13.4 KG		13.4 KG		13.4 KG			

PROTECTION OR / GOLD PLATING

Reference	Area	Ni		Sn/Pb 90/10	Thickness Au	
		B	C		nominal	min
211 CC 2S X 2 60	B1 (INT/EXT)	0.5µMIN	0.1µMAX	1 µMIN 6 µMAX	0.25µ	0.20µ
211 CC 2S X 4 60	B2 (INT) Contact point				1.52µ	1.27µ
211 CC 2S X 5 60	B2 (INT) Contact point	1µMIN 2µMAX	0.1µMAX	1 µMIN 3 µMAX	0.98µ	0.8µ
	B3 (EXT)				0.5µ	0.4µ

ZONE ET DIMENSIONS VALABLES POUR TOUTES REFERENCES  
 AREA AND DIMENSIONS ARE VALID FOR ALL REFERENCES

INDICE PIECE=INDICE MAJEUR PLAN  
 PART REVISION LEVEL=REVISION MAJOR DRAWING



CONNECTIQUE SICMA-3

ARCHIVE LE 24/07/03

A 03 031	28/07/03	E00	ADD 3D MODEL - CHANGE CAD SYSTEM DRAWING ISSUED OF 211 FT 0462 REV. E02 AND PC 211 CC 2S XXXX REV. E00 ADD A NEW FORM - ADD ALL REFERENCES 211 FT 0288 REPLACED BY THE 211 FT 0463	HERNANDEZ	HERNANDEZ
ECR. NO. / DRAWING NO.	DATE / DATE	REVISION / REVISION	DESCRIPTION / DESCRIPTION	DRAWN BY / DRAWN BY	APPROVED BY / APPROVED BY
PROJ. SPEC. / PROJ. SPEC.	EMBALLAGE / PACKAGING	APPLIC. SPEC. / APPLICATION SPEC.	PROJ. POSITION / PROJECT POSITION	CHANG. DESCRIPTION / MODIFICATION	PROJ. POSITION / PROJECT POSITION
TOLERANCES / TOLERANCES	±0.2 ±0.2	MATIERE / MATERIAL	SEE TABLE	ETAT DE SURFACE / SURFACE FINISH	
COULEUR / COLOUR		PROJ. NO. / PROJ. NO.		LOGO / LOGO	
PROJ. NO. / PROJ. NO.	211 FT 0463	DATE / DATE	28/07/03	PROJ. NO. / PROJ. NO.	211 FT 0463
PROJ. NO. / PROJ. NO.	211 FT 0463	DATE / DATE	28/07/03	PROJ. NO. / PROJ. NO.	211 FT 0463

SICMA 3  
 15 x 08 FEMALE TERMINAL

211 FT 0463

SCALE: 4:1