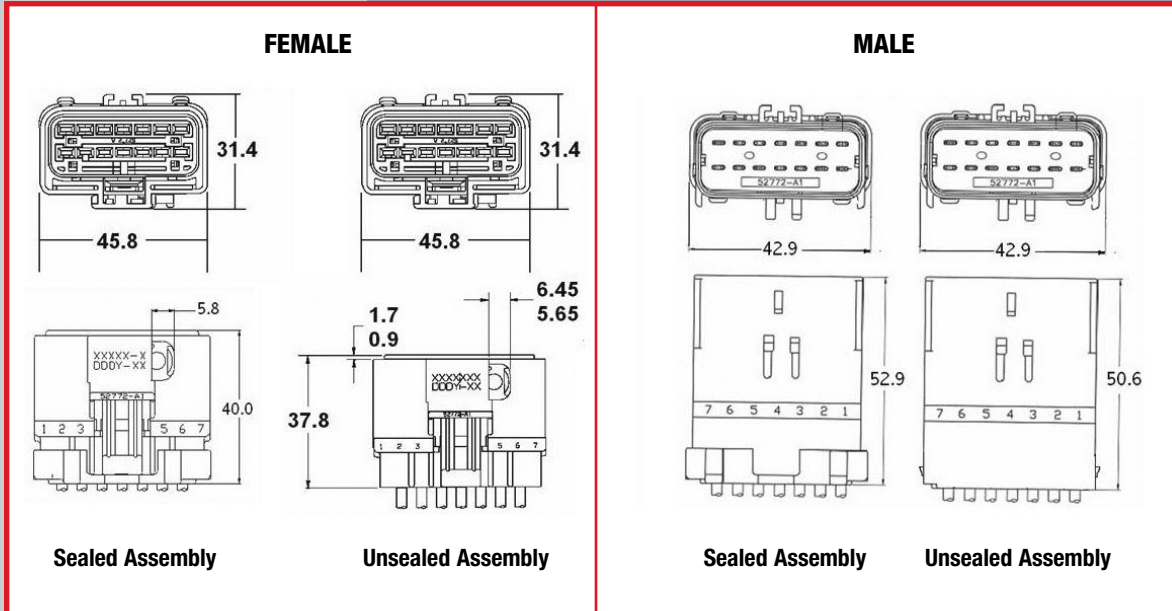




## FCI 14-Way APEX 2.8 mm Connection System



INDEX TYPE	HOUSING COLOR	SEALED/ UNSEALED	FEMALE ASSEMBLY PART NUMBER	MALE ASSEMBLY PART NUMBER	TEMPERATURE RATING OF MATERIAL	WIRE INSULATION RANGE PER CAVITY (mm)
A	BLACK	SEALED	54201411	54201415	-40°C to +125°C	1.70 – 3.35
A	BLACK	UNSEALED	54201442	54201404	-40°C to +125°C	1.50 – 4.09
B	LT GREY	SEALED	54201412	54201416	-40°C to +125°C	1.70 – 3.35
B	LT GREY	UNSEALED	54201453	54201405	-40°C to +125°C	1.50 – 4.09
C	DK GRAY	SEALED	54201413	54201417	-40°C to +125°C	1.70 – 3.35
D	NATURAL	SEALED	54201414	54201418	-40°C to +125°C	1.70 – 3.35
A	BLACK	SEALED	54201445N	—	SEAL W/NO HOLES	USED AS CAP
A	BLACK	SEALED	—	54201459	SEAL W/NO HOLES	USED AS CAP
B	LT GREY	SEALED	—	54201462	SEAL W/NO HOLES	USED AS CAP
B	DK GREY	SEALED	—	54201463	SEAL W/NO HOLES	USED AS CAP
C	NATURAL	SEALED	—	54201464	SEAL W/NO HOLES	USED AS CAP

Note: Female part numbers with the N suffix are without CPA latch.