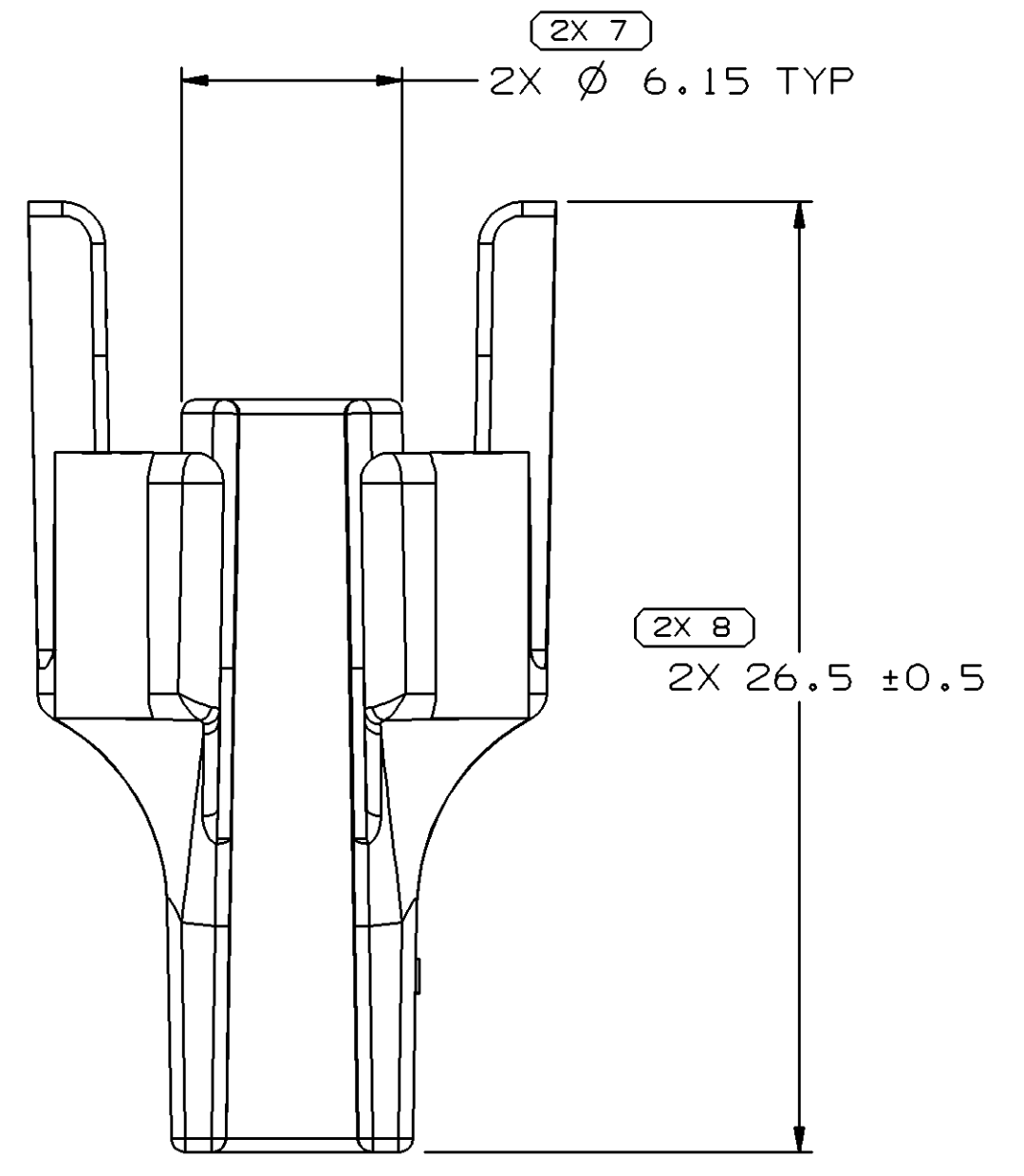
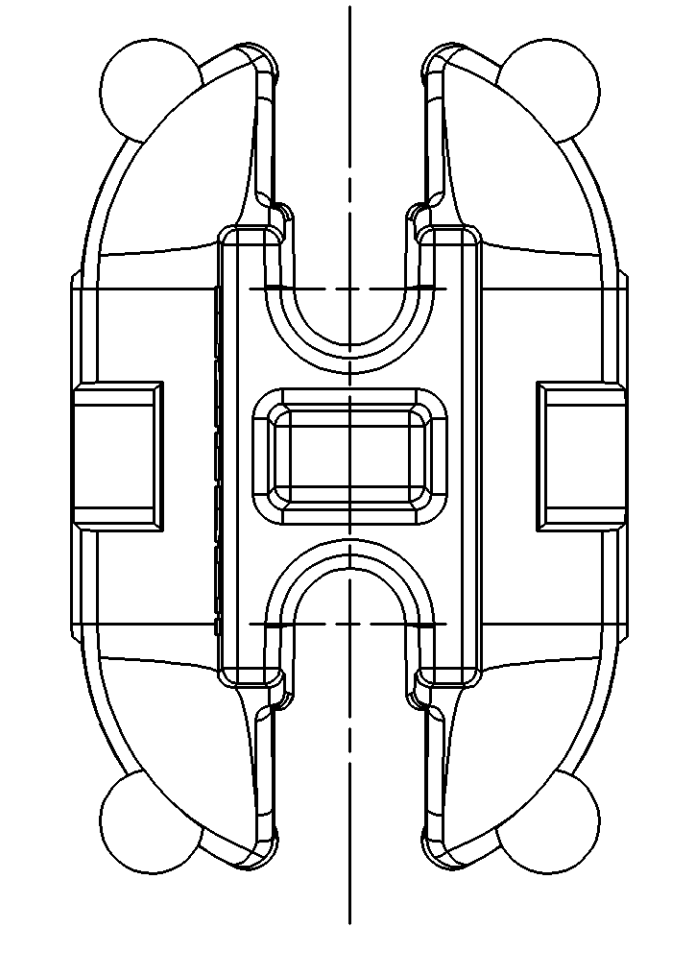
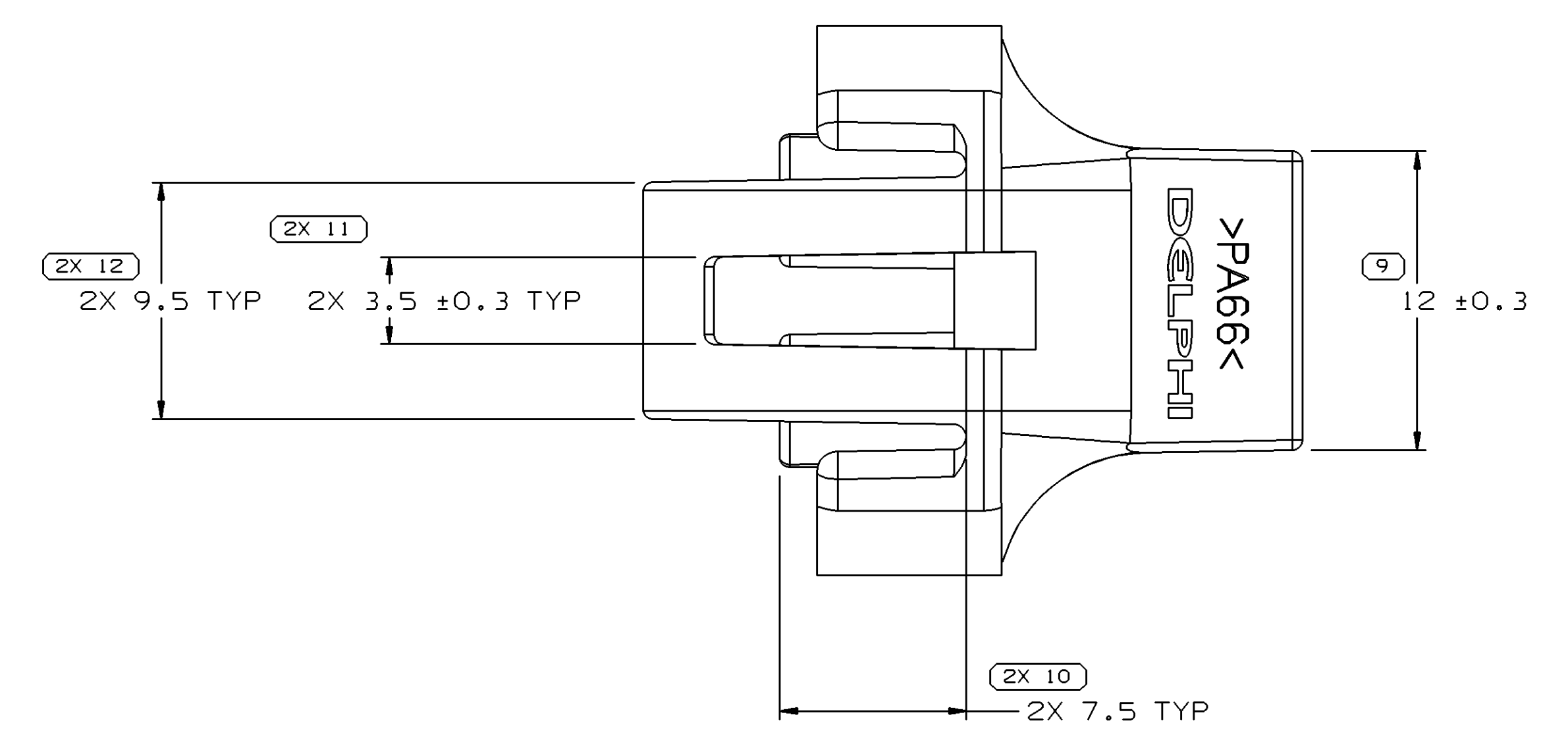
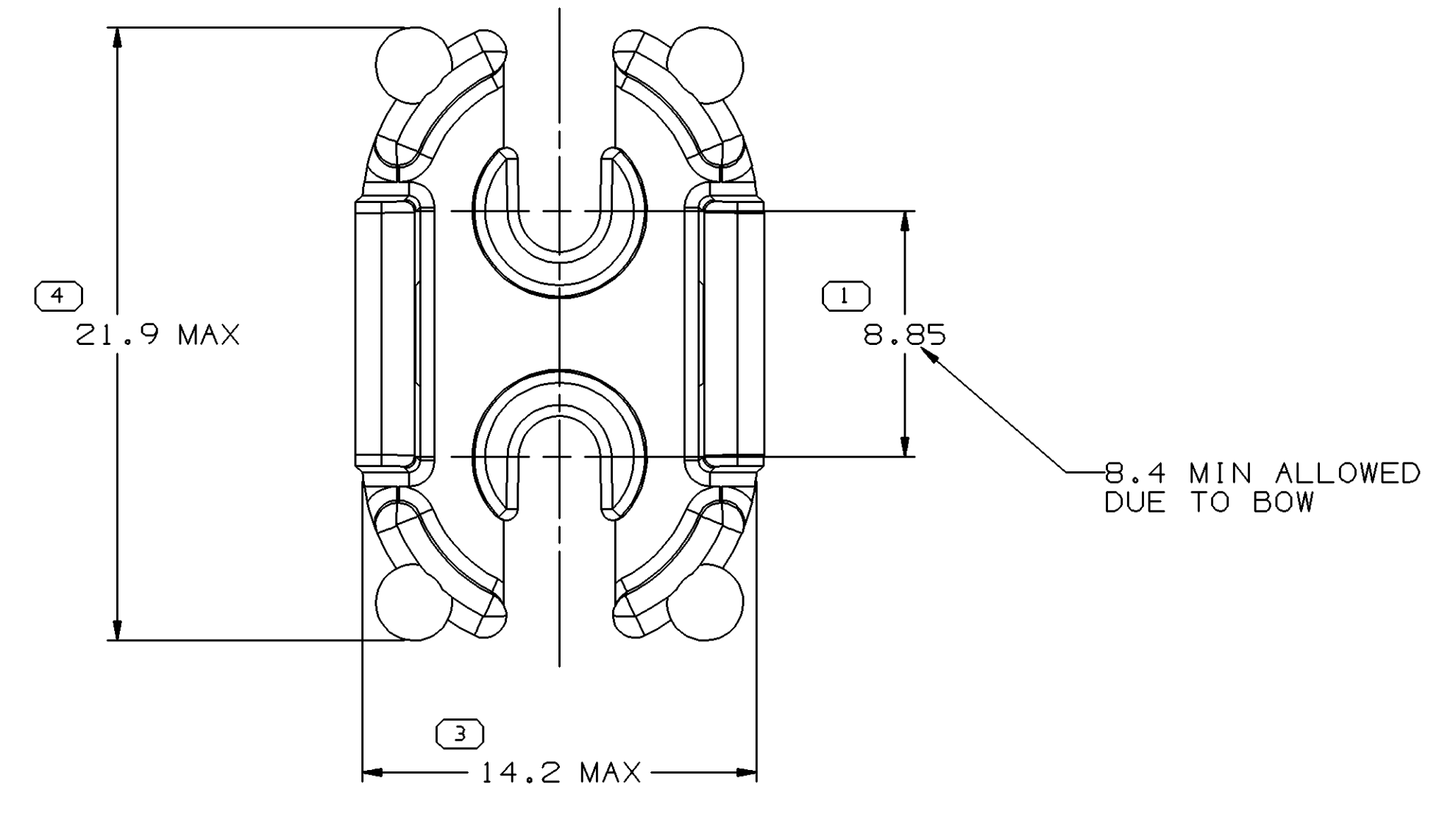
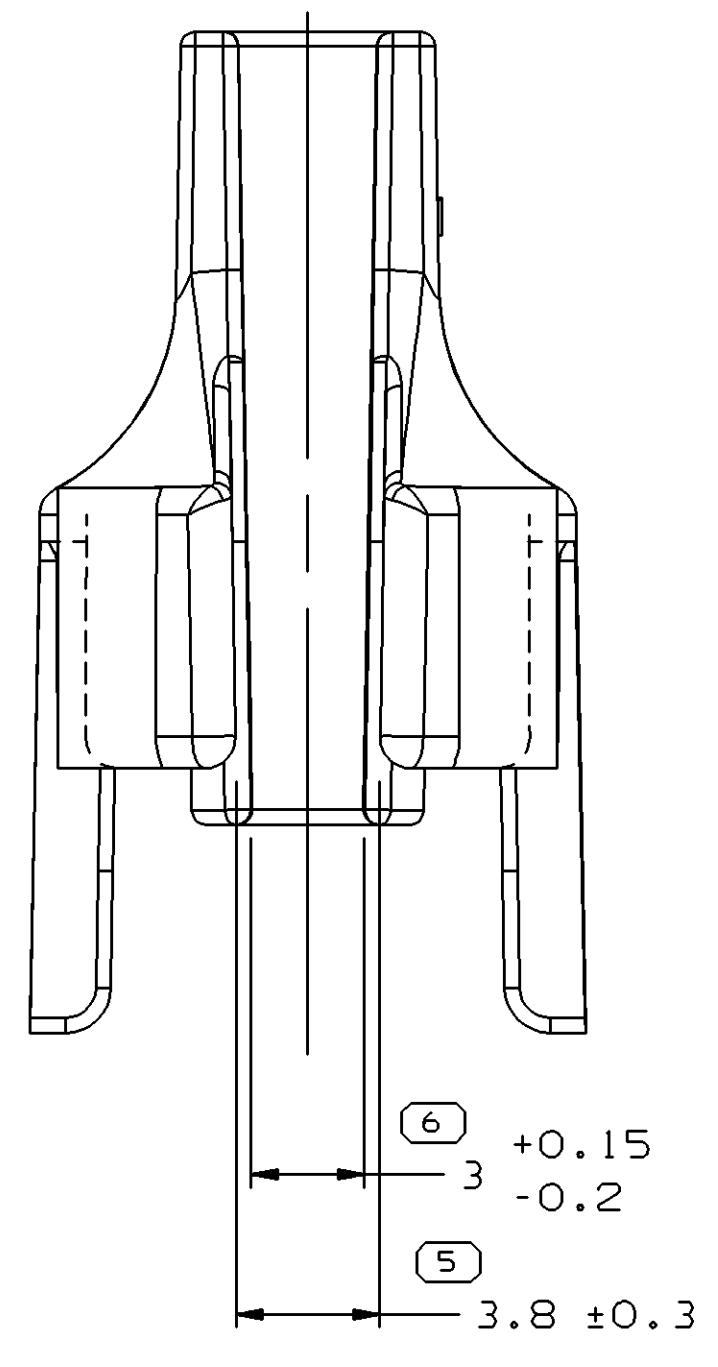
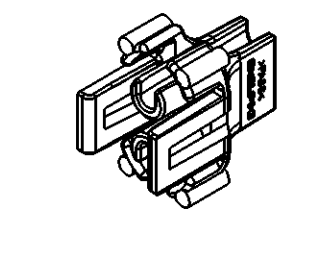


SYMBOL DEFINITION		TOTAL NO OF INSPECTIONS REQUIRED
A DIMENSION WITHOUT AN INSPECTION REPORT SYMBOL DOES NOT REQUIRE INSPECTION. IT MAY BE CONTROLLED ON THE INDIVIDUAL COMPONENT DRAWING.		16
LAST NO. USED		12

MISSING SYMBOLS		REVISION HISTORY		AUTH	DR	APVD
DATE	STG	REV	W/P	CHG	ZONE	
28JUN02	R	D4	-	-		2
17JUN03	R	05	-	-		2
16JUL03	R	05	AA	-		2
200C03	R	05	AB	-		2
290C03	R	05	AC	-		2
31MY05	R	05	AD	-		2



- NOTES
- UNLESS OTHERWISE SPECIFIED AND/OR INDICATED: DIMENSIONS ARE TO FACE OF VIEW SHOWN AND AUTOMATICALLY ROUNDED BY COMPUTER FOR INSPECTION (SEE MATH MODEL FOR PRECISE DIMENSIONS). FOR ALL OTHER DIMENSIONS NOT SHOWN BUT REQUIRED FOR TOOL BUILD, SEE MATH MODEL FOR PRECISE TOOL PATH DATA.
 - MATERIAL RECYCLING CODE PER ISO 11469. (2.3)X(0.1) RAISED CHARACTERS AS SHOWN TO BE LOCATED ON ANY EXTERIOR SURFACE. OPTIONAL CONSTRUCTION TO BE NO MATERIAL RECYCLING CODE.
 - THIS PART IS NOT CONTROLLED FOR AUTOMATIC FEEDING.
 - MATING COMPONENTS OR EQUIVALENT: CONNECTOR 12124819
 - (2.3)X(0.1) RAISED DELPHI CORPORATE BRAND TO BE LOCATED ON ANY EXTERIOR SURFACE, PREFERABLY VISIBLE AT FINAL ASSEMBLY. OPTIONAL CONSTRUCTION TO BE "FED" OR NO LOGO.
 - MAX. CABLE DIA. THAT WILL FIT PART IS Ø2.75



DIMENSIONAL RANGE (MM)	TOLERANCE	CHART	ET
FROM > 0	> 20	> 30	> 70
TO 20	30	70	100
	100	150	200
	200	250	300
	300	400	
TOLERANCE UNLESS OTHERWISE SPECIFIED			
	±0.15	±0.2	±0.3
	±0.4	±0.5	±0.6
	±0.8	±1	±1.2
ANGULAR TOLERANCE ±2°			

DWO TYPE		PART DRAWING	
STYLE	2.050		
VOLUME (CP)	2.050		
DISTR CODE	D		
UNLESS OTHERWISE SPECIFIED			
THIS DOCUMENT IS IN ACCORDANCE WITH ASME Y14.5M-1994 AS AMENDED BY THE 2003 DIMENSIONING AND TOLERANCING ADDENDUM - 1997. ALL GEOMETRIC TOLERANCES AND RELATED DATUM APPL. TO ALL DIMENSIONS UNLESS OTHERWISE SPECIFIED.			
MDCI DOES NOT APPLY WHEN RELATIONSHIP BETWEEN FEATURES IS ESTABLISHED BY ORIENTATION OR LOCATION TOLERANCES. SEPARATE POSITION DATUMS MAY BE GAGED SEPARATELY. REGRINDING OF DATUM REFERENCE.			
ALL DIMENSIONS ARE IN MILLIMETERS			
THIRD ANGLE PROJECTION	DO NOT SCALE	USE MATH DATA	

DELPHI
DELPHI PACKARD ELECTRIC SYSTEMS
WARREN, OH

DR	DATE
APVD1 R. HERMOSILLO	28JUN02
APVD2 R. HERMOSILLO	28JUN02
APVD3 E. TRACEY	01JUL02
APVD4	
APVD5	

MATERIAL: M3592025 PA66 HS 1M GRA MD
SUBSTANCES OF CONCERN AND RECYCLED CONTENT PER DELPHI 10949001

DRAWING NAME: LOCK TPA M/P 280 GRA MD
DRAWING NUMBER: 12020807

SIZE: A0
SCALE: 5:1
FRAME NO: 1 OF 2
SHEET NO: 1 OF 1
REV: R
N/P: 05 AD