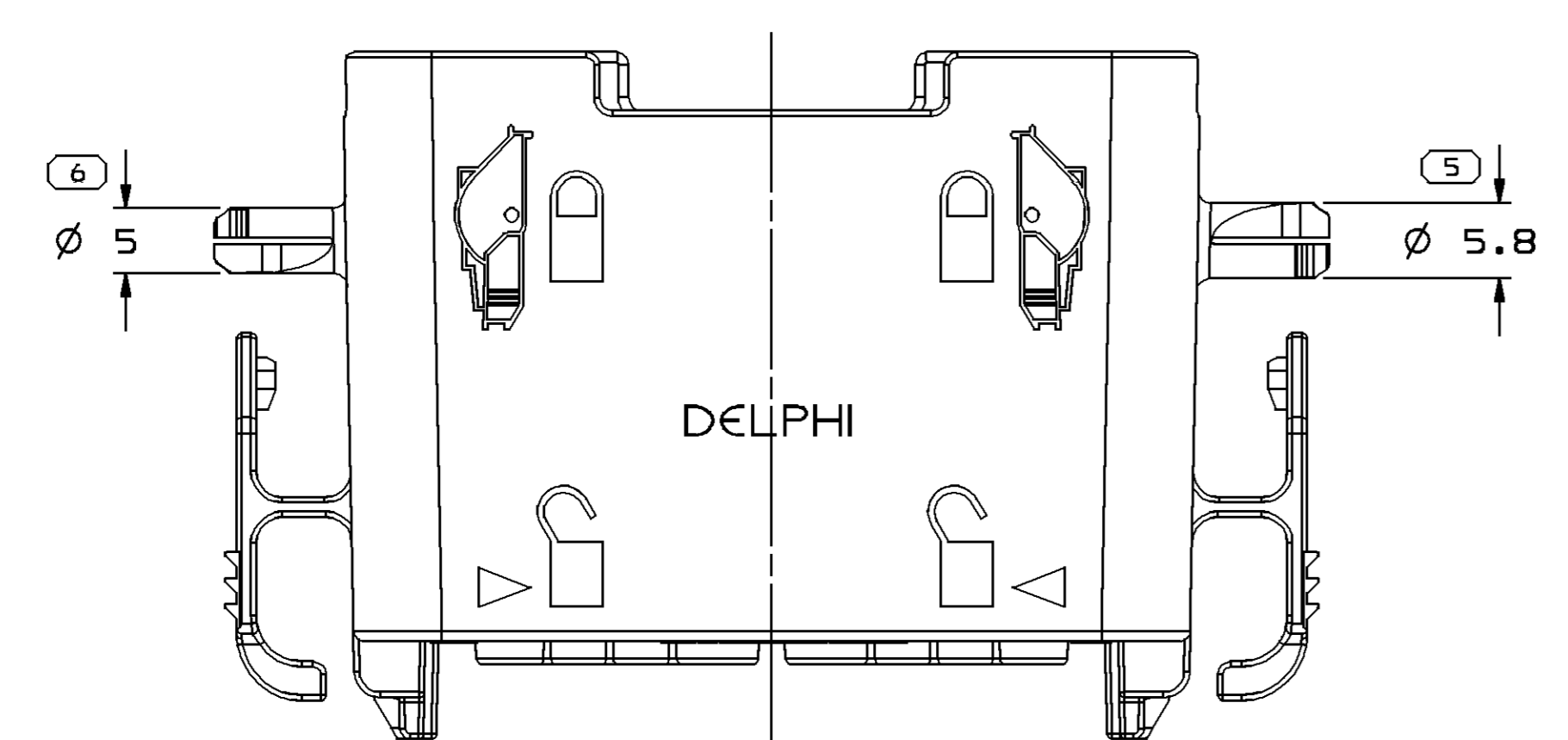
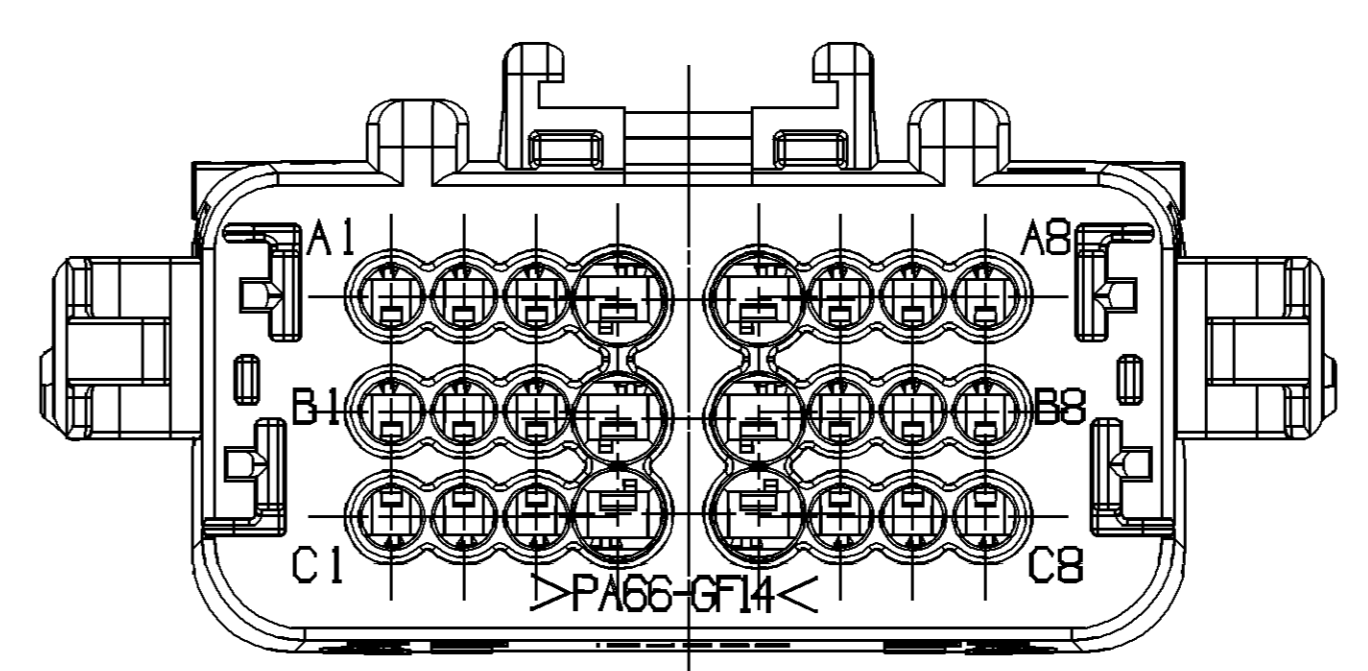
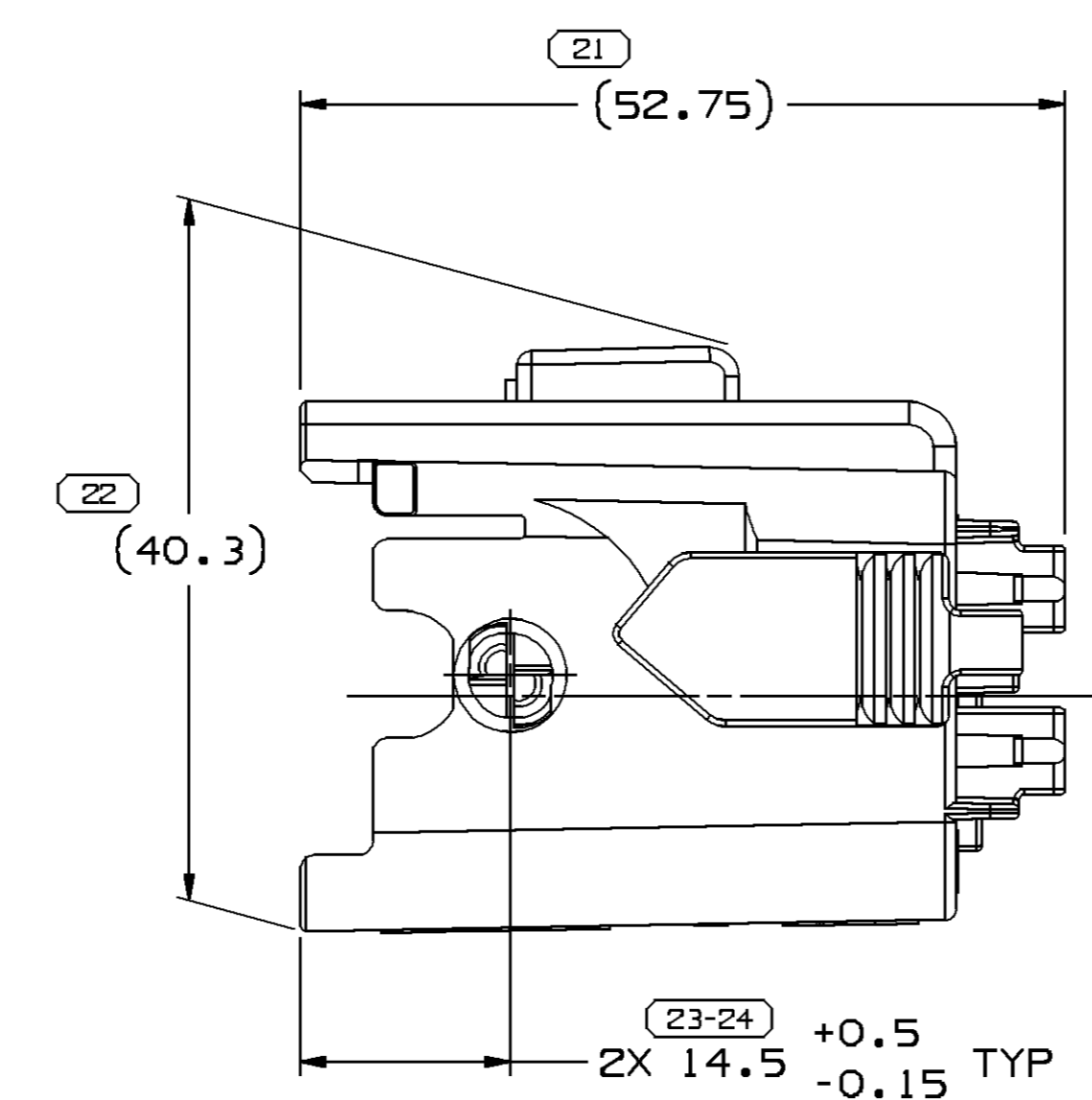
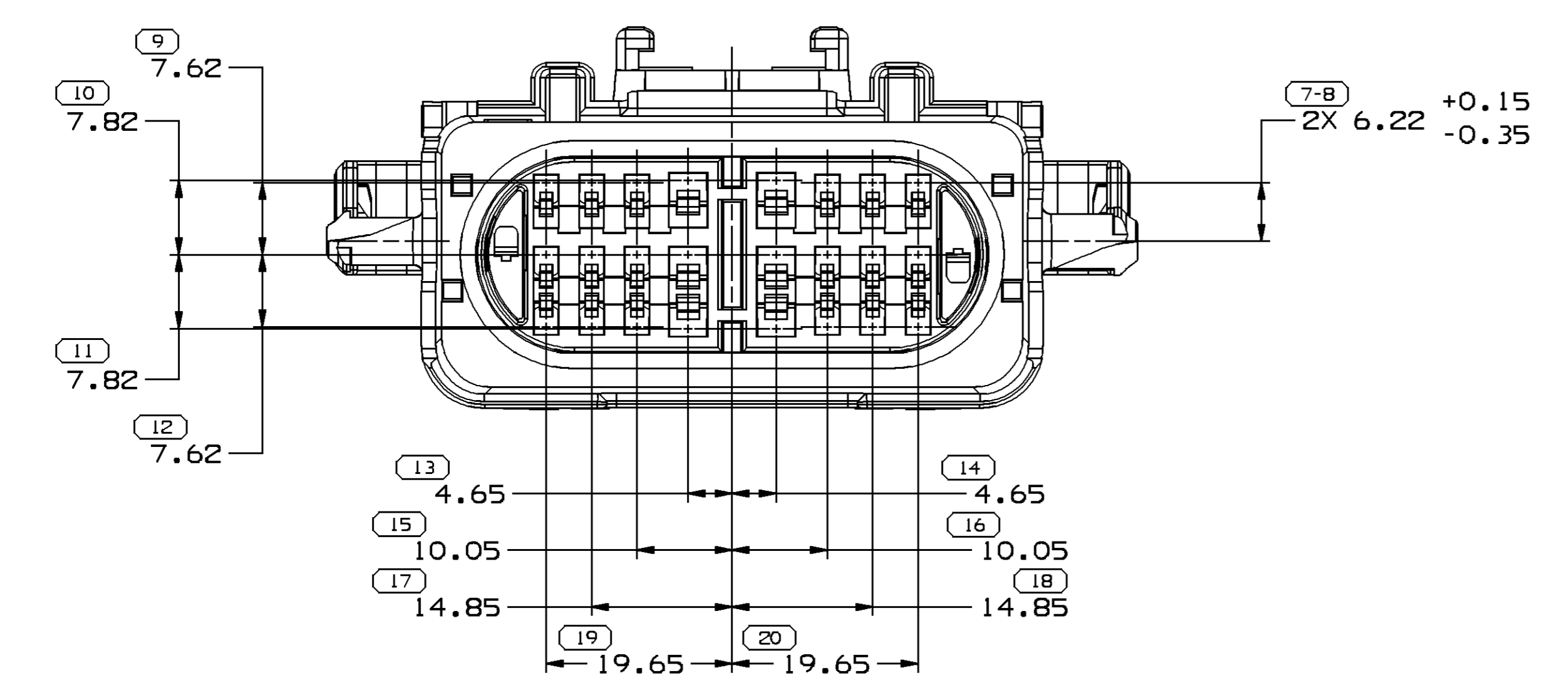
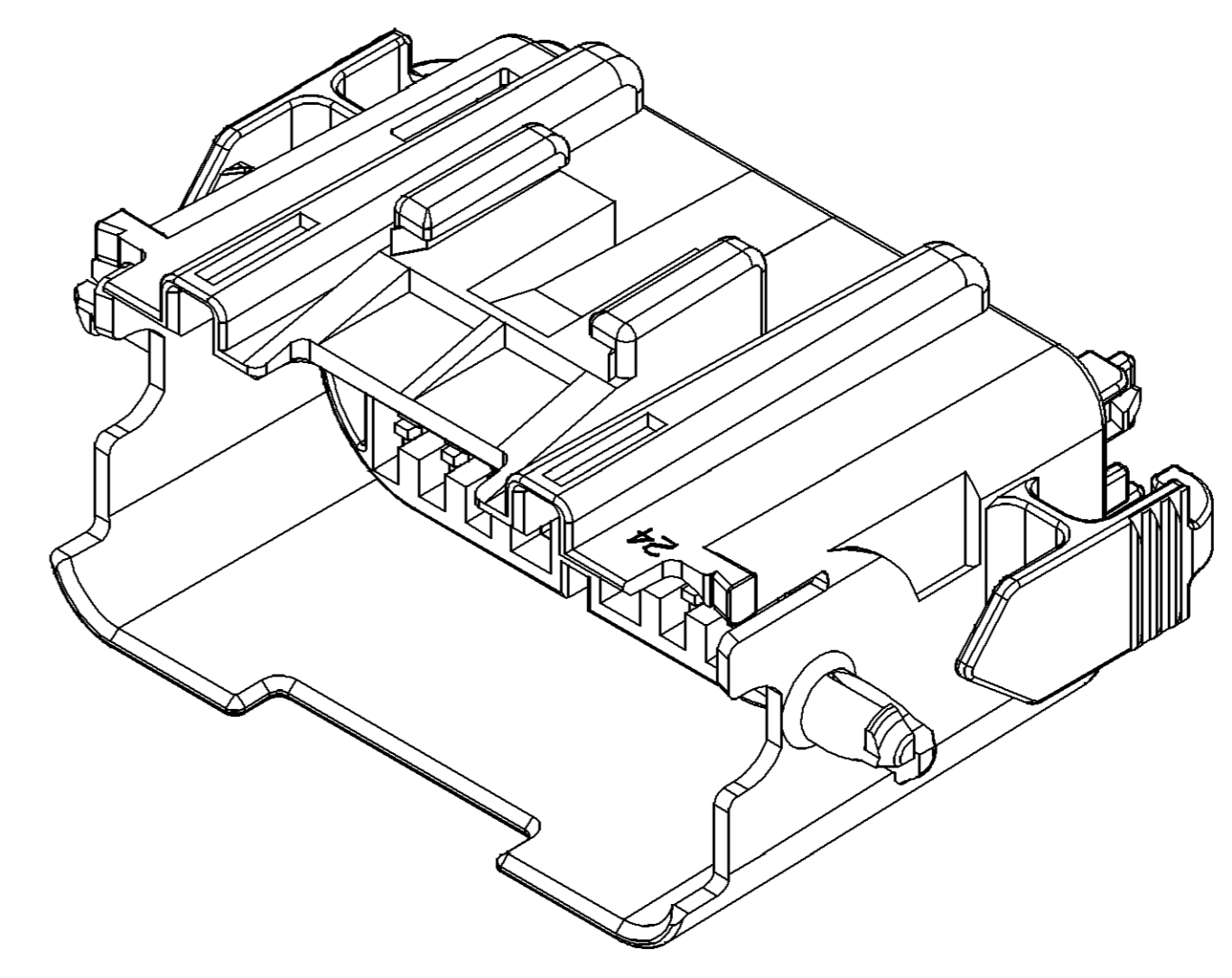
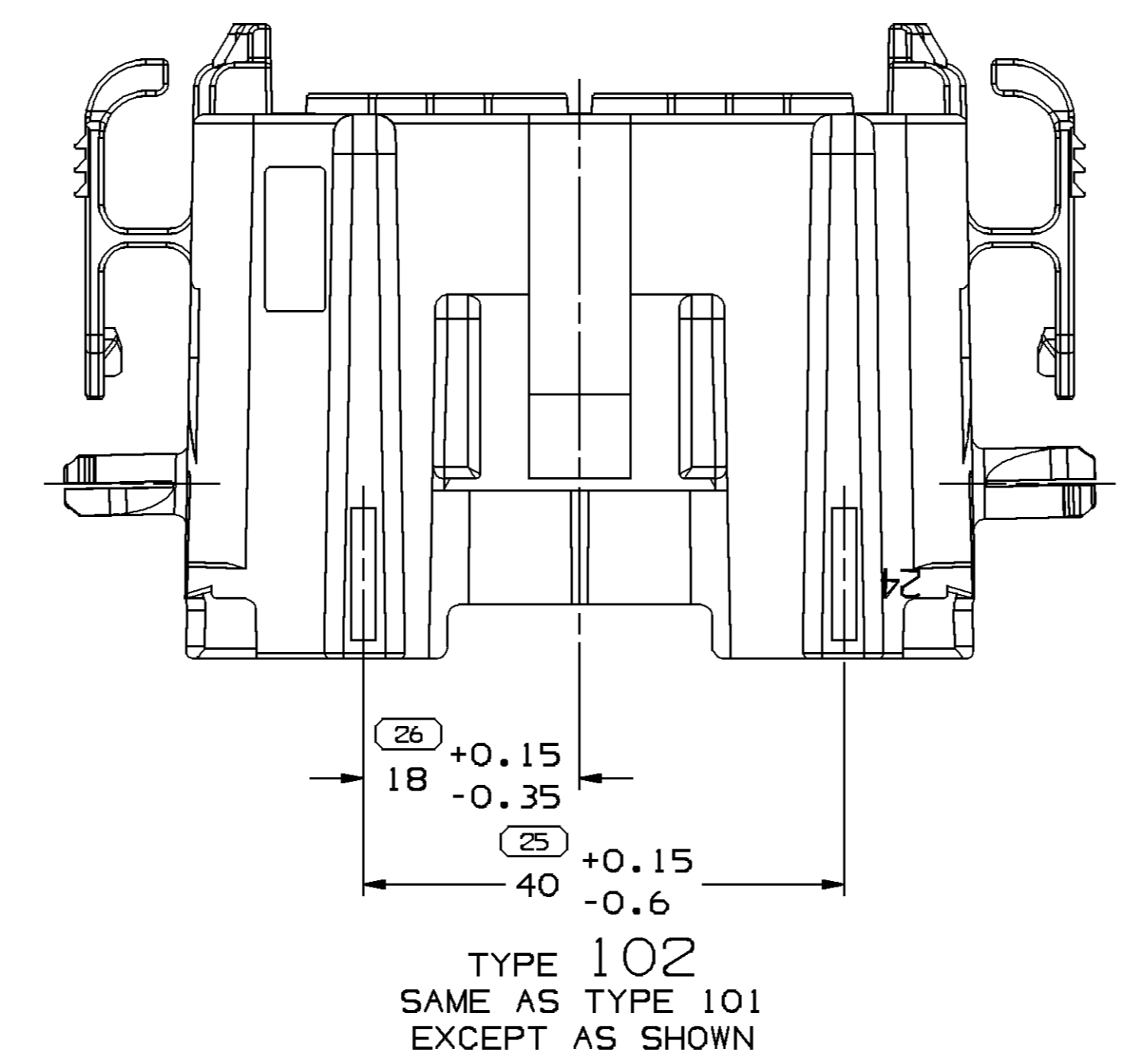
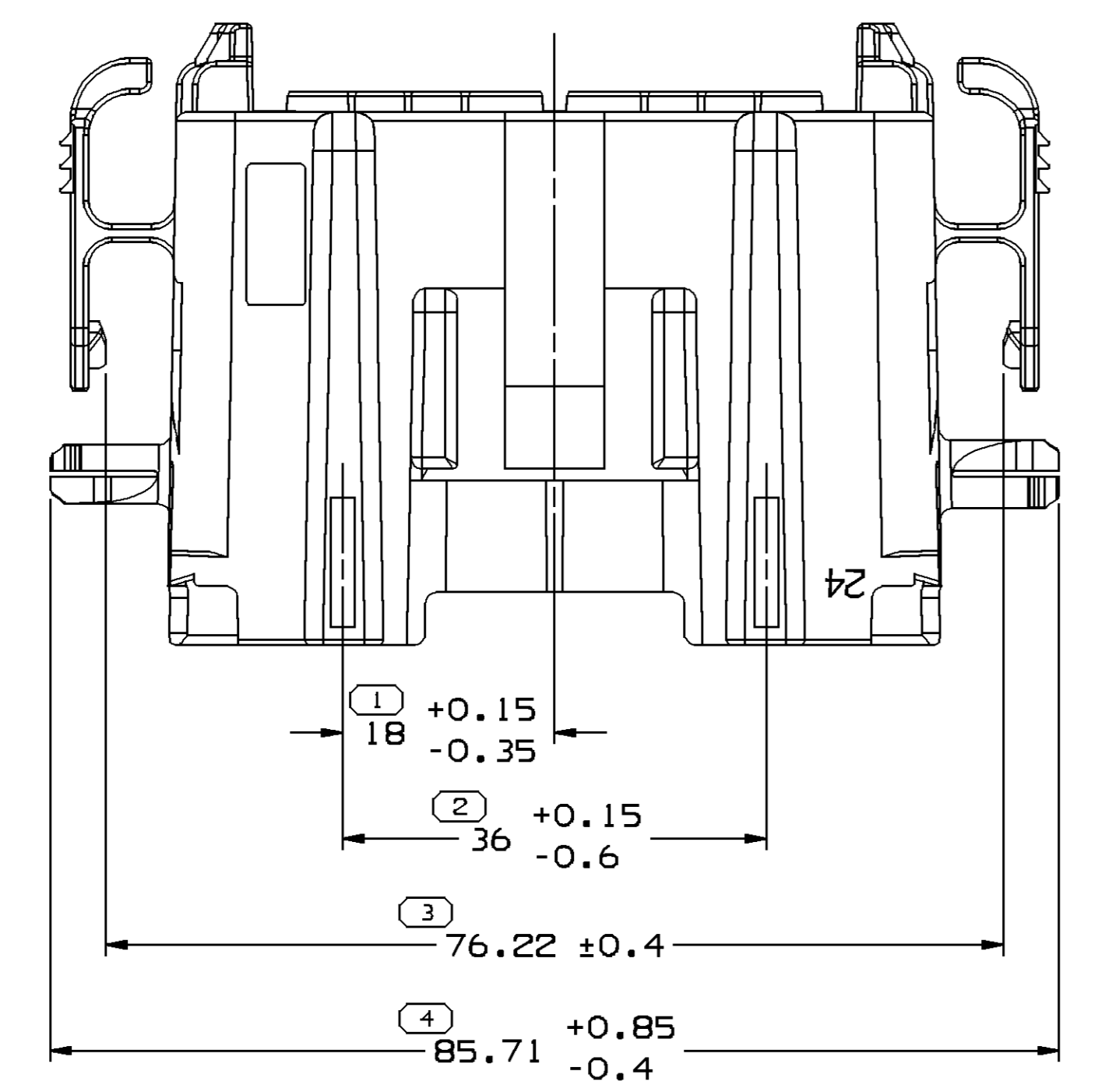


SYMBOL DEFINITION		MISSING NUMBERS		DWG STATUS		ZONE		REVISION HISTORY		AUTH		DR		AP/VD						
DATE	STO	REV	N/P	CHR	DATE	STO	REV	N/P	CHR	DATE	STO	REV	N/P	CHR	DATE	STO	REV	N/P	CHR	
21AP04	R	01	-	-	15366099	-	15488829	-	-	15366099 - WAS SEPARATE DWG; 15488829 - RELEASED	253898	JTV	FKV	MLP						
17N004	R	02	-	-						ALL PARTS - REVISED PIN DESIGN; REVISED MAT'L SPEC; ADDED "MOISTURE CONDITION" NOTE	260239	ADK	ADK	MLP						
21MR05	R	03	-	-						ALL PARTS - MAT'L RECYCLE CODE WAS PA6-0820*0F10; REVISED NOTE #2 AND REMOVED NOTE	266224	RTV	FKV	MLP						
200C06	R	04	-	-						ALL PARTS - UPDATED PDM ATTRIBUTES	285549	MM	MM	MLP						
29MR07	R	05	-	-						15366099 - UPDATED PDM ATTRIBUTES	400956	JOA	JVM	GG1						



- NOTES
- UNLESS OTHERWISE SPECIFIED AND/OR INDICATED:
DIMENSIONS ARE TO FACE OF VIEW SHOWN AND AUTOMATICALLY ROUNDED BY COMPUTER FOR INSPECTION (SEE MATH MODEL FOR PRECISE DIMENSIONS). FOR ALL OTHER DIMENSIONS NOT SHOWN BUT REQUIRED FOR TOOL BUILD, SEE MATH MODEL FOR PRECISE TOOL PATH DATA.
 - MATERIAL RECYCLING CODE PER ISO 11469. (2.3)X(0.1) CHARACTERS AS SHOWN TO BE LOCATED ON ANY EXTERIOR SURFACE. OPTIONAL CONSTRUCTION TO BE NO MATERIAL RECYCLE CODE.
 - REFERENCE MATING COMPONENTS OR EQUIVALENT:
LEVER 15369322
CONNECTOR SEAL 15336177
PLR 15373422
GT150 CAVITIES A1,A2,A3,A6,A7,A8,B1,B2,B3,B6,B7,B8, C1,C2,C3,C6,C7,C8 ARE IDENTICAL EXCEPT AS SHOWN.
GT280 CAVITIES A4,A5,B4,B5,C4,C5 ARE IDENTICAL EXCEPT AS SHOWN.
CAVITIES TERMINALS-
CAVITIES GT150 USE 12191808 TERMINALS
CAVITIES GT280 USE 15304718 TERMINALS
CABLE SEALS-
GT150 CAVITIES ACCEPT 12191226 CABLE SEALS (Ø 4 SEAL CAVITY)
GT280 CAVITIES ACCEPT 12191232 CABLE SEALS (Ø 5.8 SEAL CAVITY)
TPA 15355359 AND 15355360 (WITHOUT TAPE TAB)
TPA 15410209 AND 15410210 (WITH TAPE TAB)
 - (2.3)X(0.2) DELPHI CORPORATE BRAND TO BE LOCATED ON ANY EXTERIOR SURFACE, PREFERABLY VISIBLE AT FINAL ASSEMBLY. OPTIONAL CONSTRUCTION TO BE "PED".

PART NO	REV	N/P	STATUS	TYPE	MATERIAL SPECIFICATION AND COLOR	VOL	CM³	MATING CONNECTOR
15488829	02	AB		102	M2279002 PA66 GF14 HS IM NAT	31.598		15488828
15366099	02	AC		101	M2279001 PA66 GF14 HS IM BLK	31.597		15336173

DWG TYPE PART DRAWING		DISTR CODE D	
VOLUME (CM³) SEE CHART		THIRD ANGLE PROJECTION	
UNLESS OTHERWISE SPECIFIED THIS DOCUMENT IS IN ACCORDANCE WITH ASME Y14.5M-1994 AS MODIFIED BY THE IN CHARGE, DIMENSIONAL AND TOLERANCE ADDENDUM (P1). DIMENSIONS UNLESS OTHERWISE SPECIFIED ARE IN MILLIMETERS. UNLESS OTHERWISE SPECIFIED TOLERANCE UNLESS OTHERWISE SPECIFIED: FROM > 0 TO > 20 > 20 > 30 > 30 > 70 > 70 > 100 > 100 > 150 > 150 > 200 > 200 > 250 > 250 > 300 > 300 > 400 > 400 TOLERANCE UNLESS OTHERWISE SPECIFIED: [±0.15] ±0.2 [±0.3] ±0.4 [±0.5] ±0.6 [±0.8] ±1 [±1.2] ANGULAR TOLERANCE 2°		DO NOT SCALE USE MATH DATA	
DOW TYPE PART DRAWING		THIRD ANGLE PROJECTION	
DOW TYPE PART DRAWING		THIRD ANGLE PROJECTION	

DELPHI
DELPHI PACKARD ELECTRICAL/ELECTRONIC ARCHITECTURE
WARREN, OH

DR	DATE
APV01 JOSE LUIS TAPIA	21AP04
APV02 FRANCISCO KOPCA	21AP04
APV03 MATT PENN	23AP04
APV04	
APV05	

SUBSTANCES OF CONCERN AND RECYCLED CONTENT PER DELPHI 10949001

MATERIAL
SEE CHART

DRAWING NAME
TAXI CONN F GT 150 280 SLD

DRAWING NUMBER
15488831

SIZE A0 SCALE 2:1 FRG NO 1 OF 1 SHEET NO 1570 REV N/P R 05

Date: 26-Apr-07 Time: 10:29