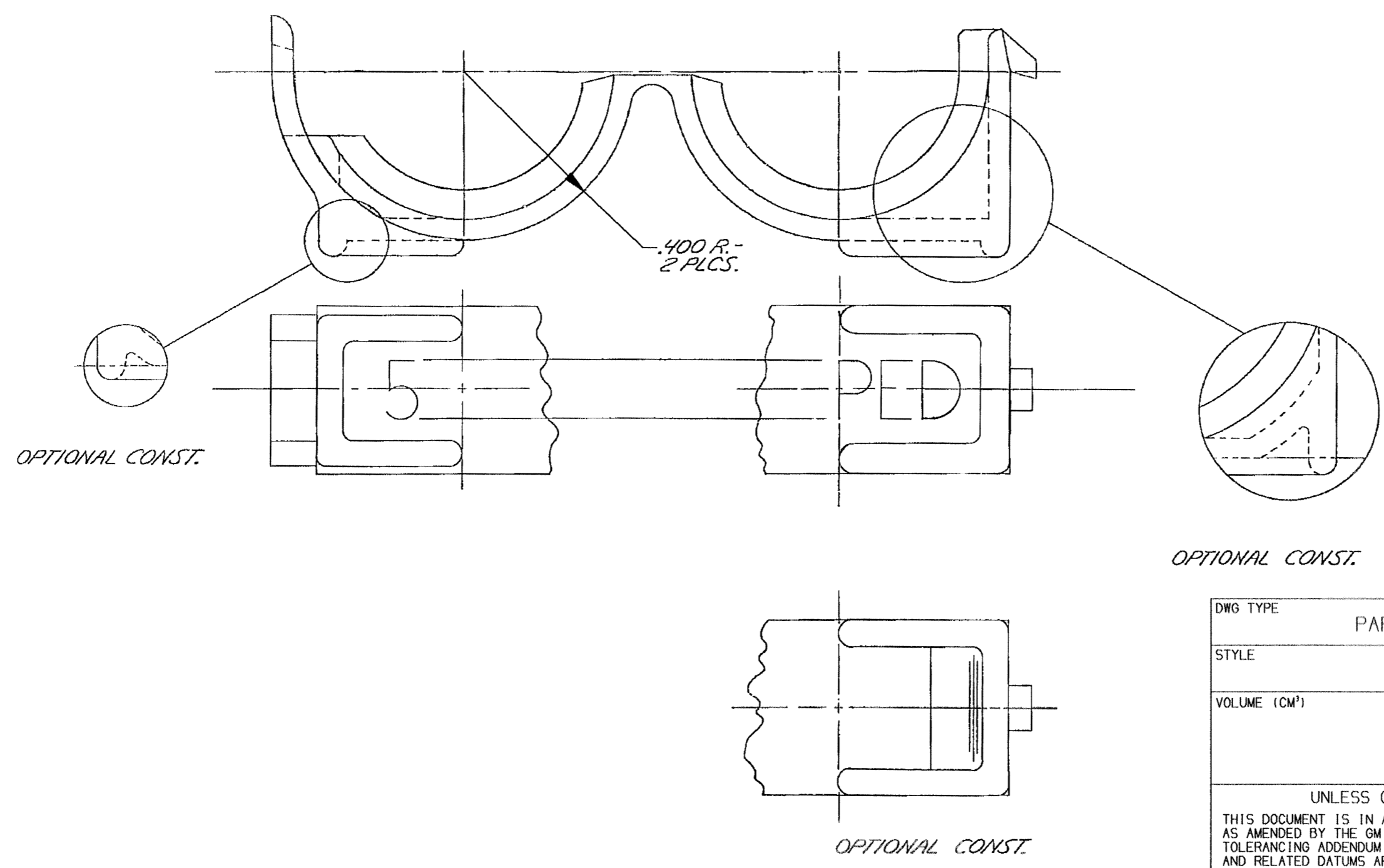
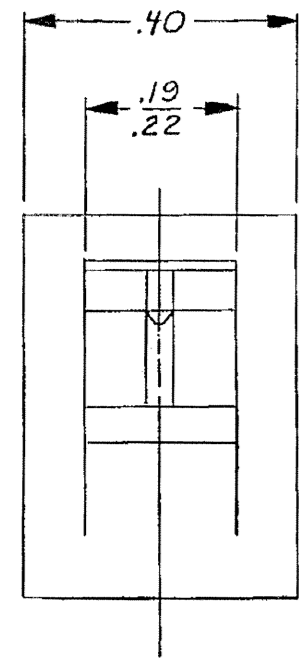
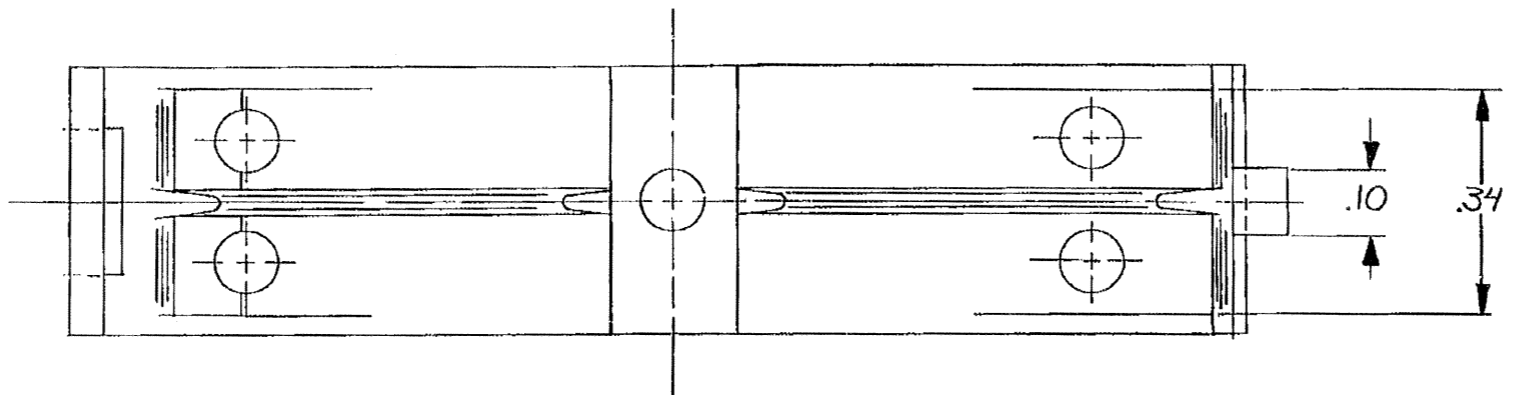


DWG STATUS					ZONE	REVISION HISTORY	AUTH	DR	APVD 1	APVD 2
DATE	STG	REV	N/P	CHG						
06AP73		B				PICTURE REVISED	49485	ED	JH	
18JN73		C				REVISED	50131	JB	TM	
11SE73		-				PICTURE REVISED	50848	RS	RK	
14JA74		-				.19/.22 WAS .22±.01	51530	WC	DT	
27JL76		-				PICTURE REVISED	59826	RW	TM	
09N004	R	04	-	-		MATERIAL WAS R-61354, ADDED OPTIONAL CONSTRUCTION VIEWS	261044	MJM	MJM	ET



- NOTES
- MATERIAL RECYCLING CODE PER SAE J1344. (.130)X(.004) RAISED CHARACTERS AS SHOWN TO BE LOCATED ON ANY EXTERIOR SURFACE. OPTIONAL CONSTRUCTION TO BE NO MATERIAL RECYCLING CODE.
 - (.130)X(.004) RAISED DELPHI CORPORATE BRAND TO BE LOCATED ON ANY EXTERIOR SURFACE, PREFERABLY VISIBLE AT FINAL ASSEMBLY. OPTIONAL CONSTRUCTION TO BE "PED" OR NO LOGO.
 - THIS PART TO FIT .493 I.D. CONVOLUTED CONDUIT.

DWG TYPE		PART DRAWING	
STYLE			
VOLUME (CM ³)	DISTR CODE		
	D		
UNLESS OTHERWISE SPECIFIED			
THIS DOCUMENT IS IN ACCORDANCE WITH ASME Y14.5M-1994 AS AMENDED BY THE GM GLOBAL DIMENSIONING AND TOLERANCING ADDENDUM - 1997. ALL GEOMETRIC TOLERANCES AND RELATED DATUMS APPLY RFS. RULE #1 (PERFECT FORM AT MMC) DOES NOT APPLY WHEN RELATIONSHIP BETWEEN FEATURES IS ESTABLISHED BY ORIENTATION OR LOCATION TOLERANCES. SEPARATE POSITION CALLOUTS MAY BE GAGED SEPARATELY, REGARDLESS OF DATUM REFERENCE. ALL DIMENSIONS ARE IN INCHES.			
REFERENCE			
THIRD ANGLE PROJECTION		DO NOT SCALE	
USE MATH DATA		UNIGRAPHICS	

DELPHI

DELPHI PACKARD ELECTRIC SYSTEMS
WARREN, OH

DATE	
DR H. HOKE	14FE72
APVD1 RON WHETSON	15FE72
APVD2 E. J. MCGOWAN	18FE72
APVD3 PEARCE	18FE72
APVD4	
APVD5	

SUBSTANCES OF CONCERN AND RECYCLED CONTENT PER DELPHI 10949001

MATERIAL
M2097001 PP 1M BLK

DRAWING NAME
COND CDT-FIT OUTLET RING BLK

DRAWING NUMBER
08911377

SIZE	SCALE	FRAME NO	SHEET NO	STG	REV	N/P
A2	NTS	1 OF 1	1 OF 1	R	04	-

TOLERANCE UNLESS OTHERWISE SPECIFIED

DECIMAL: ANGULAR ±2°
TWO PLACE ±.01
THREE PLACE ±.005

DATE: 10-NOV-04 TIME: 11:31