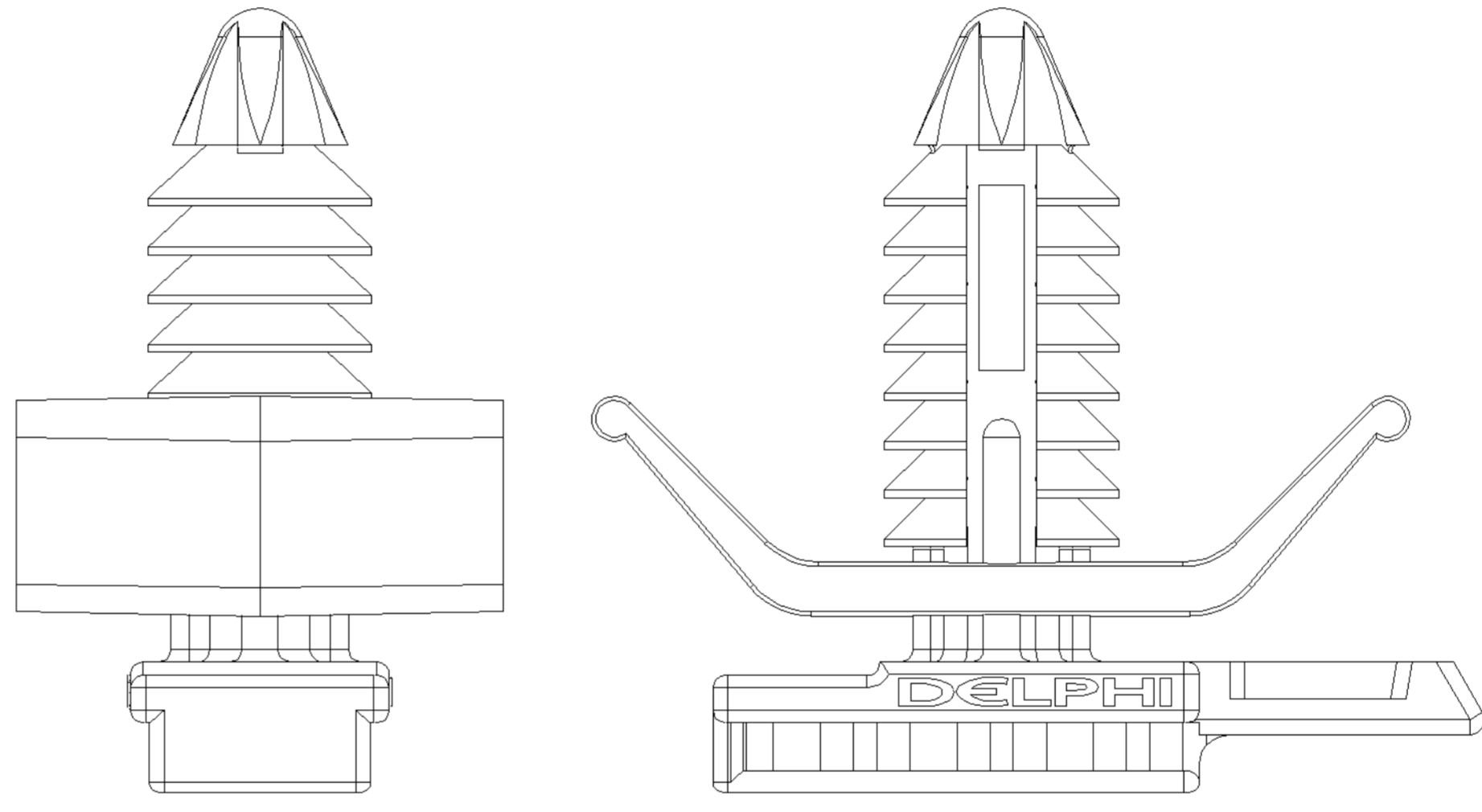
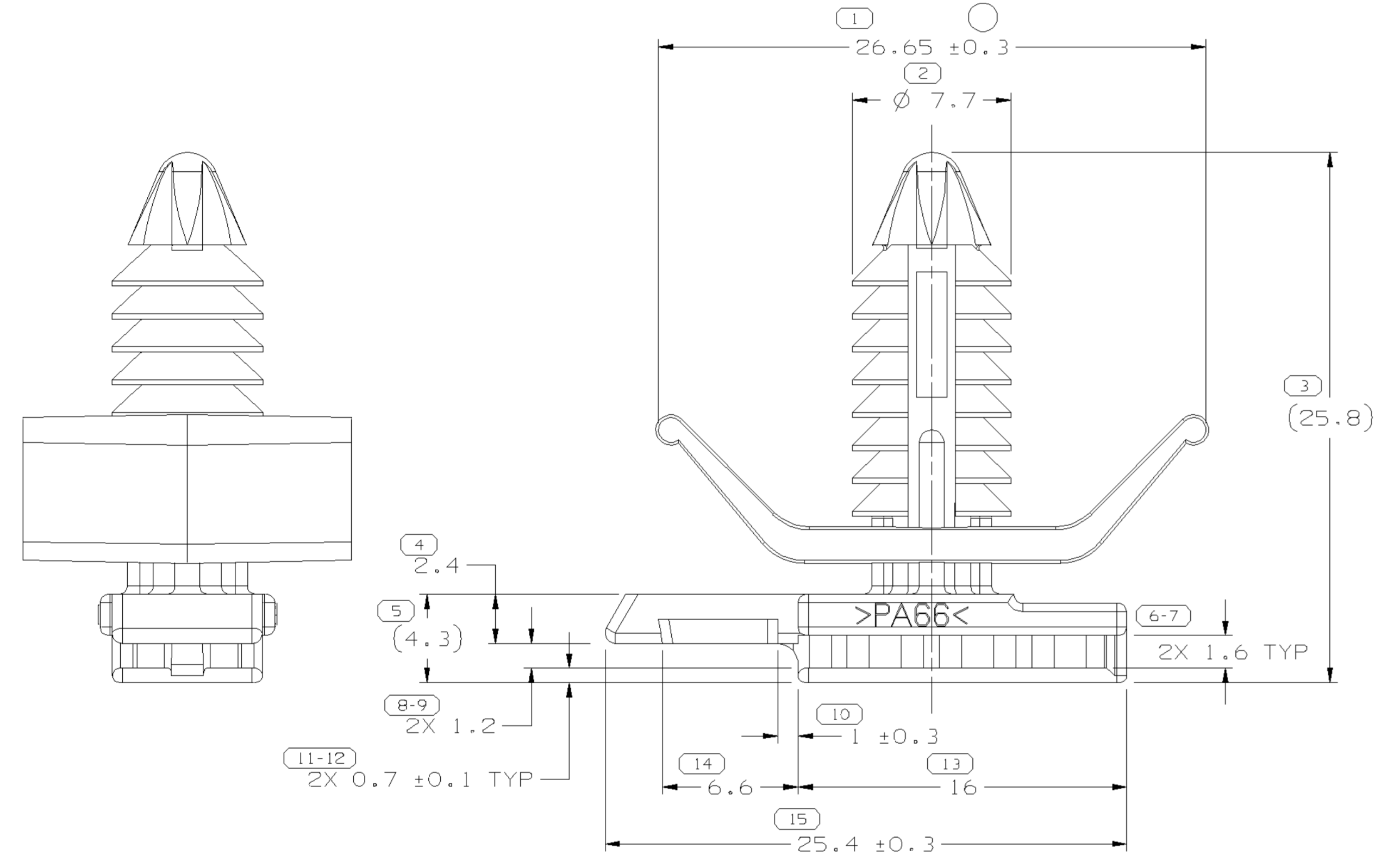
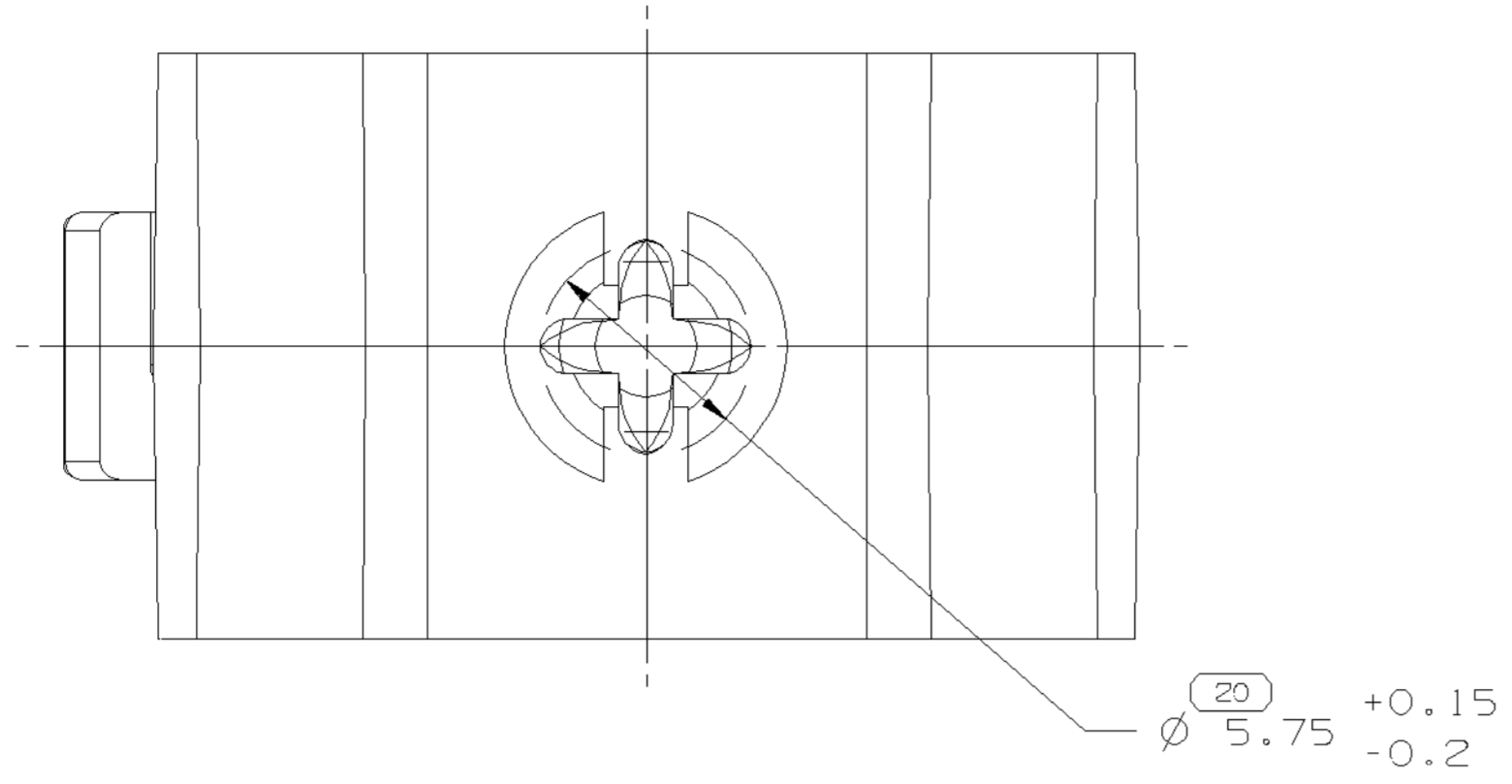


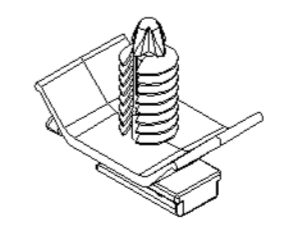
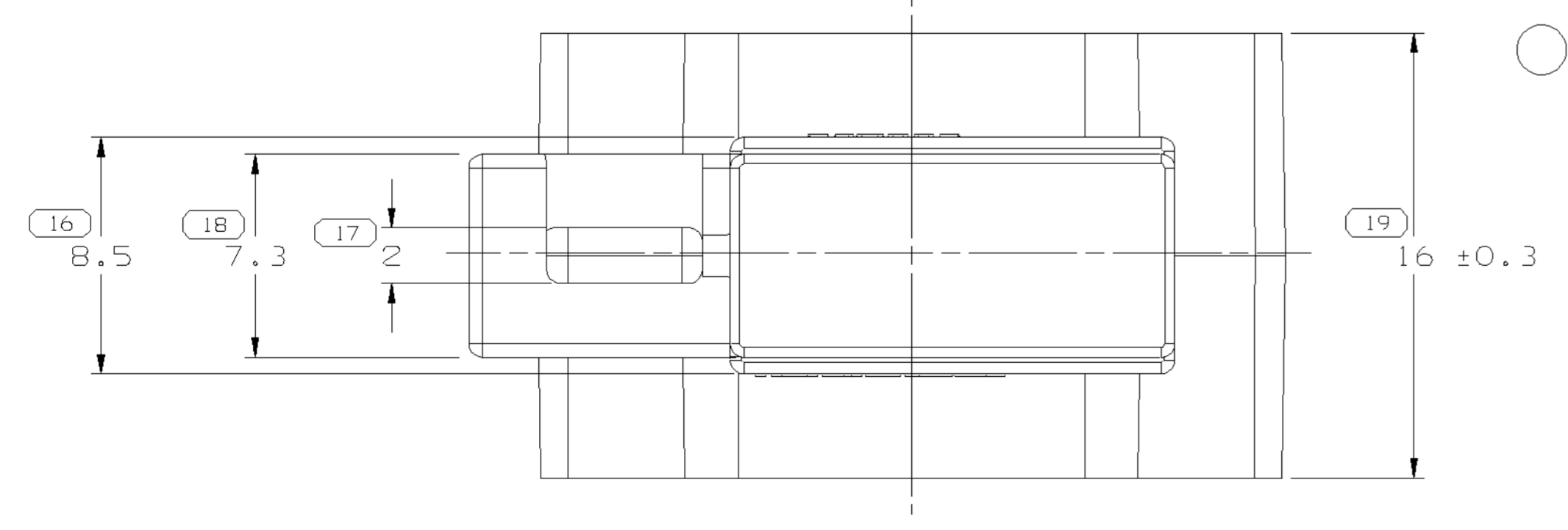
SYMBOL DEFINITION		MISSING NUMBERS	
THE NUMBER INSIDE THE SYMBOL () CORRESPONDS TO THE NUMBER ON THE INSPECTION REPORT FOR THIS DRAWING/PART NUMBER	TOTAL NO. OF SYMBOLS ON DRAWING	17	
	LAST NO. USED	20	

DWG STATUS					ZONE	REVISION HISTORY			AUTH	DR	APVD1	APVD2
DATE	STG	REV	N/P	CHG								
11AU03	R	C2	-			CLEARED REV COL, MAT'L SPEC WAS R0071754, 244404			244404	RAO	CMZ	FR
						26.65 ±0.3 WAS 26.65 ±0.15 & ADDED			NOTES (2 PLCS)			



NOTES

- UNLESS OTHERWISE SPECIFIED AND/OR INDICATED: DIMENSIONS ARE TO FACE OF VIEW SHOWN AND AUTOMATICALLY ROUNDED BY COMPUTER FOR INSPECTION (SEE MATH MODEL FOR PRECISE DIMENSIONS). FOR ALL OTHER DIMENSIONS NOT SHOWN BUT REQUIRED FOR TOOL BUILD, SEE MATH MODEL FOR PRECISE TOOL PATH DATA.
- MATERIAL RECYCLING CODE >PA66< PER SAE J1344. (1.3)X(0.1) RAISED CHARACTERS AS SHOWN TO BE LOCATED ON ANY EXTERIOR SURFACE. OPTIONAL CONSTRUCTION TO BE NO MATERIAL RECYCLING CODE.
- MATING COMPONENTS OR EQUIVALENT: CONNECTOR 12110781
- (1.3)X(0.1) RAISED DELPHI CORPORATE BRAND TO BE LOCATED ON ANY EXTERIOR SURFACE, PREFERABLY VISIBLE AT FINAL ASSEMBLY. OPTIONAL CONSTRUCTION TO BE "PED" OR NO LOGO.
- RECOMMENDED HOLE SIZE - Ø6.35 IN 8 MAX THICK STOCK.
- THIS PART IS NOT CONTROLLED FOR AUTOMATIC FEEDING.



DWG TYPE		PART DRAWING	
STYLE			
VOLUME (CM ³)	DISTR CODE		
1.553	D		
ROUTING			
6900			
UNLESS OTHERWISE SPECIFIED			
THIS DOCUMENT IS IN ACCORDANCE WITH ASME Y14.5M-1994 AS AMENDED BY THE GM GLOBAL DIMENSIONING AND TOLERANCING ADDENDUM-2001. SEPARATE PATTERNS OF FEATURES MAY BE GAGED SEPARATELY REGARDLESS OF DATUM REFERENCES.			
ALL DIMENSIONS ARE IN MILLIMETERS			
REFERENCE		701,001 12110341	

DELPHI
DELPHI PACKARD ELECTRIC SYSTEMS
WARREN, OH

DR	DATE					
APVD1 BRIAN MADISON	01MY91					
APVD2 BRIAN MADISON	01MY91					
APVD3 BRIAN HAMILL	09MY91					
APVD4						
APVD5						
SUBSTANCES OF CONCERN AND RECYCLED CONTENT PER DELPHI 10949001						
MATERIAL						
M3592001 PA66 HS 1M BLK						
DRAWING NAME						
MOUN CLIP 6.63 N/A CONN						
DRAWING NUMBER						
12110783						
SIZE	SCALE	FRAME NO	SHEET NO	STG	REV	N/P
A1	5:1	1 OF 1	1 OF 1	R	C2	-

R 0.2 MAX	R 0.1 MAX	SHARP CORNER TOLERANCE	DIMENSIONAL RANGE (MM)		CHART E1						
			FROM	TO	FROM	TO					
			>0	>20	>70	>100	>150	>200	>250	>300	>400
			±0.15	±0.2	±0.3	±0.4	±0.5	±0.6	±0.8	±1	±1.2
			TOLERANCE UNLESS OTHERWISE SPECIFIED								
			ANGULAR TOLERANCE ±2°								