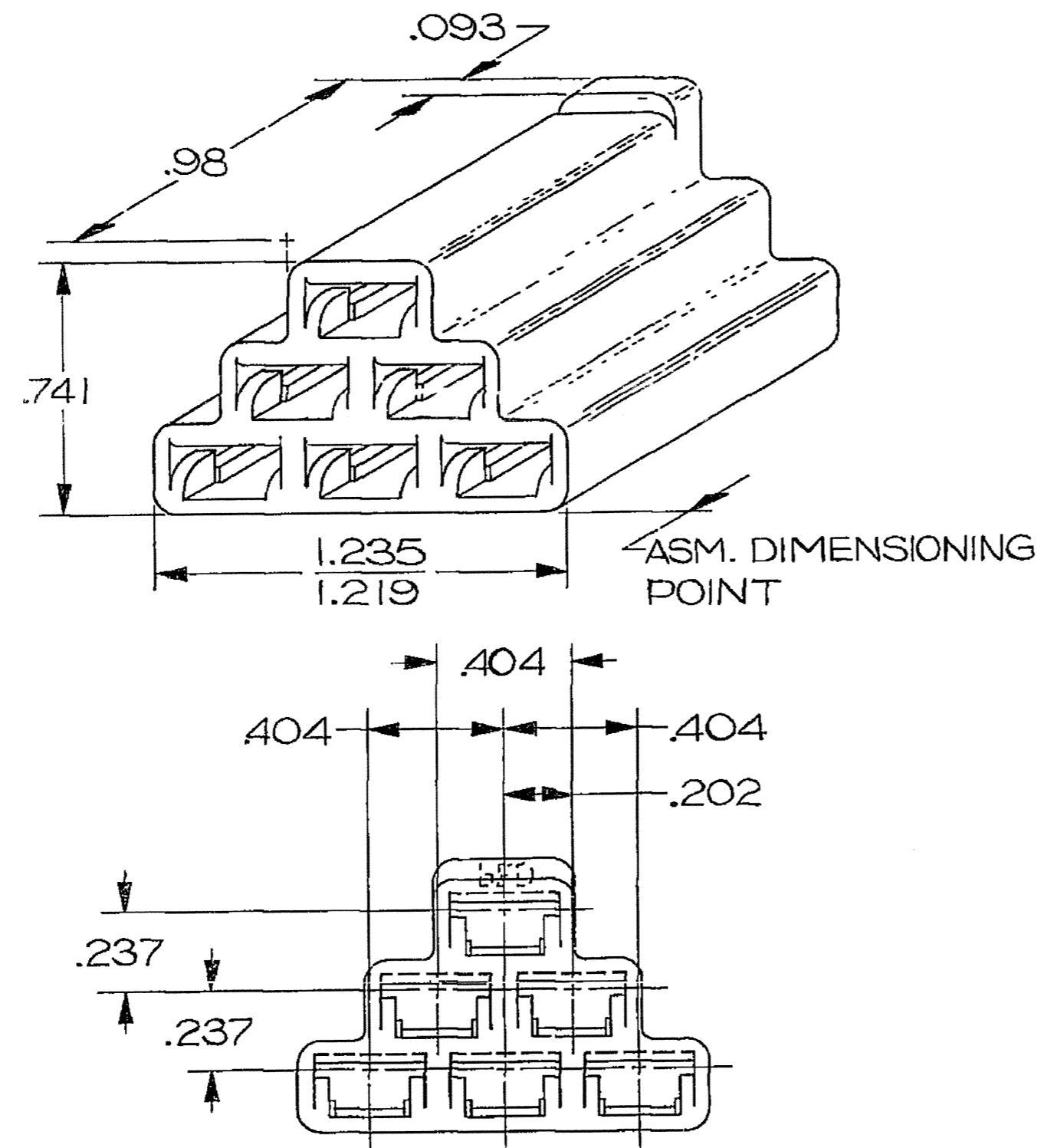


DWG STATUS					ZONE	REVISION HISTORY	AUTH	DR	APVD1	APVD2
DATE	STG	REV	N/P	CHG						
17DE04	R	03	-	-		TAXI CREATED, ALL PARTS WERE ON SEPARATE PD'S	262267	MJM	MJM	ET



**NOTES**

- UNLESS OTHERWISE SPECIFIED AND/OR INDICATED:  
DIMENSIONS ARE TO FACE OF VIEW SHOWN.
- MATERIAL RECYCLING CODE PER SAE J1344. (.080)X(.004) RAISED CHARACTERS AS SHOWN TO BE LOCATED ON ANY EXTERIOR SURFACE. OPTIONAL CONSTRUCTION TO BE NO MATERIAL RECYCLING CODE.
- (.080)X(.004) RAISED DELPHI CORPORATE BRAND TO BE LOCATED ON ANY EXTERIOR SURFACE, PREFERABLY VISIBLE AT FINAL ASSEMBLY. OPTIONAL CONSTRUCTION TO BE "PED" OR NO LOGO.

DWG TYPE		PART DRAWING	
STYLE			
VOLUME (CM <sup>3</sup> )	DISTR CODE		
	D		
UNLESS OTHERWISE SPECIFIED			
THIS DOCUMENT IS IN ACCORDANCE WITH ASME Y14.5M-1994 AS AMENDED BY THE GM GLOBAL DIMENSIONING AND TOLERANCING ADDENDUM - 1997. ALL GEOMETRIC TOLERANCES AND RELATED DATUMS APPLY RFS. RULE #1 (PERFECT FORM AT MMC) DOES NOT APPLY WHEN RELATIONSHIP BETWEEN FEATURES IS ESTABLISHED BY ORIENTATION OR LOCATION TOLERANCES. SEPARATE POSITION CALLOUTS MAY BE GAGED SEPARATELY, REGARDLESS OF DATUM REFERENCE.			
ALL DIMENSIONS ARE IN INCHES			
REFERENCE			

**DELPHI**

DELPHI PACKARD ELECTRIC SYSTEMS  
WARREN, OH

DATE	
DR	
APVD1	M. MAYER 17DE04
APVD2	M. MAYER 17DE04
APVD3	ERIC TRACEY 20DE04
APVD4	
APVD5	

SUBSTANCES OF CONCERN AND RECYCLED CONTENT PER DELPHI 10949001

MATERIAL SEE CHART

DRAWING NAME  
TAXI CONN 56

DRAWING NUMBER  
02977232

SIZE	SCALE	FRAME NO	SHEET NO	STG	REV	N/P
A2	N/A	1 OF 1	1 OF 1	R	03	-

02977233	02	-	-	M2097001 PP IM BLK
02962960	A1	-	OBSOLETE	R-67663 (A.B.S.) BLK
PART NO	REV	N/P	STATUS	MATERIAL SPEC AND COLOR

TOLERANCE UNLESS OTHERWISE SPECIFIED

DECIMAL:            ANGULAR ±2°  
TWO PLACE ±.01  
THREE PLACE ±.005

THIRD ANGLE PROJECTION

DO NOT SCALE  
USE MATH DATA

User: cz1Dwg Part: 02977232-CUS01-S01 Date: 20-Dec-04 Time: 10:06