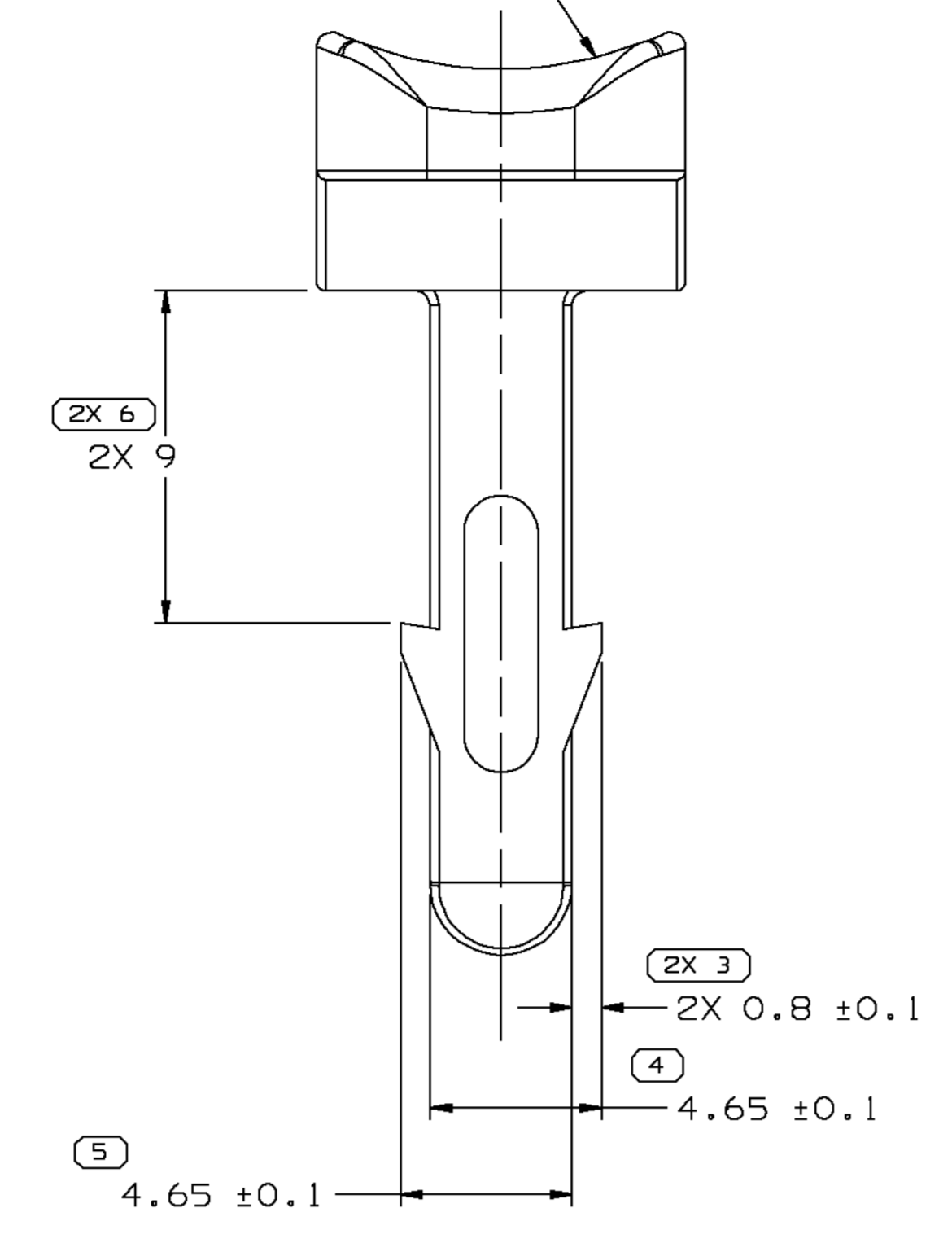


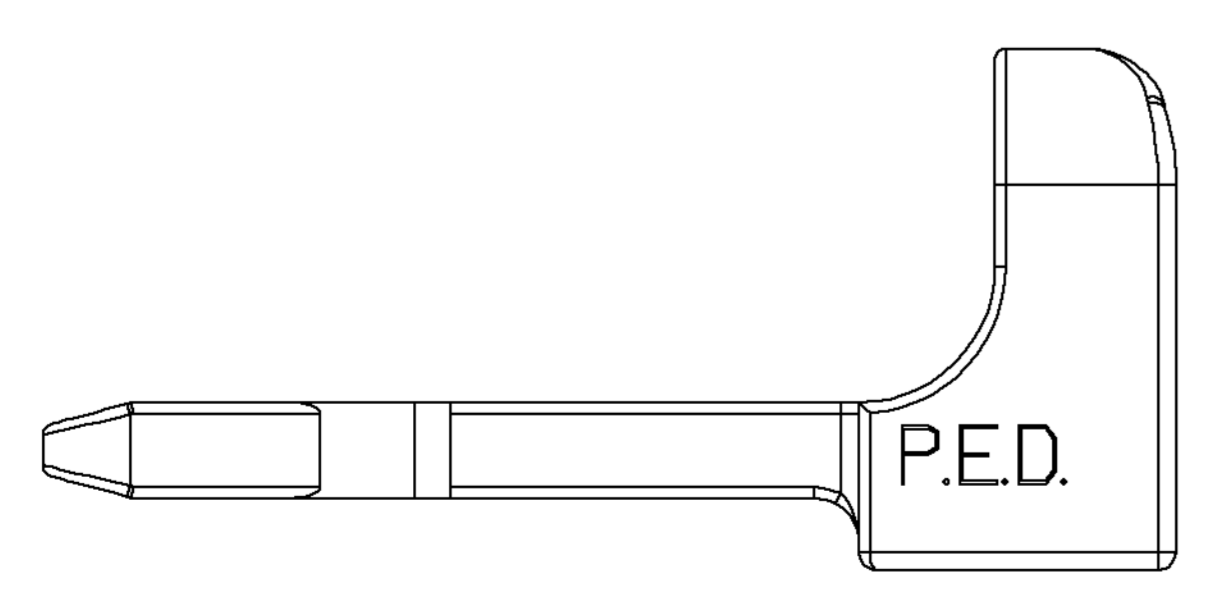
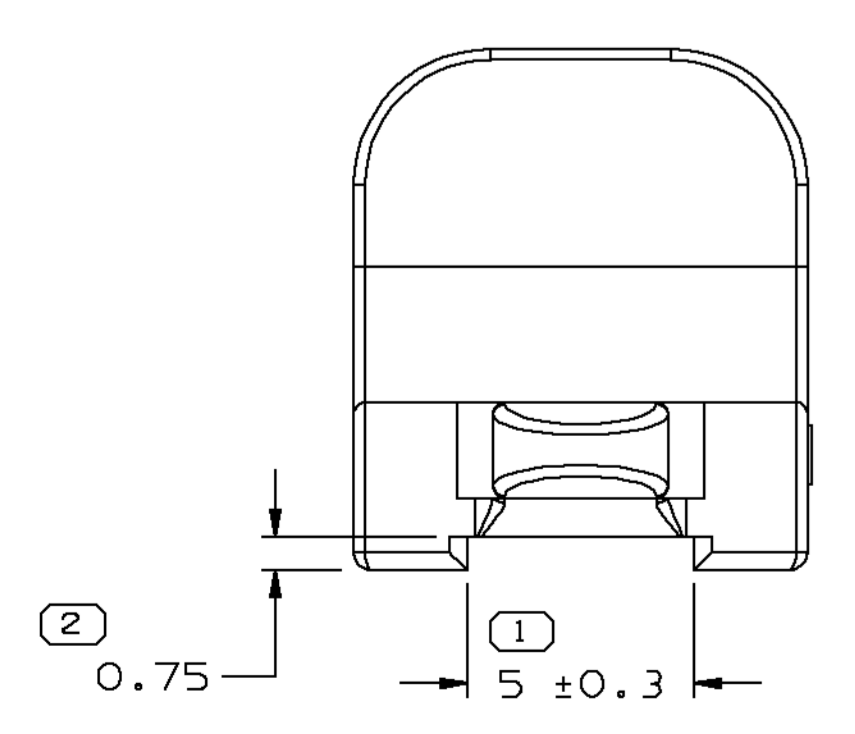
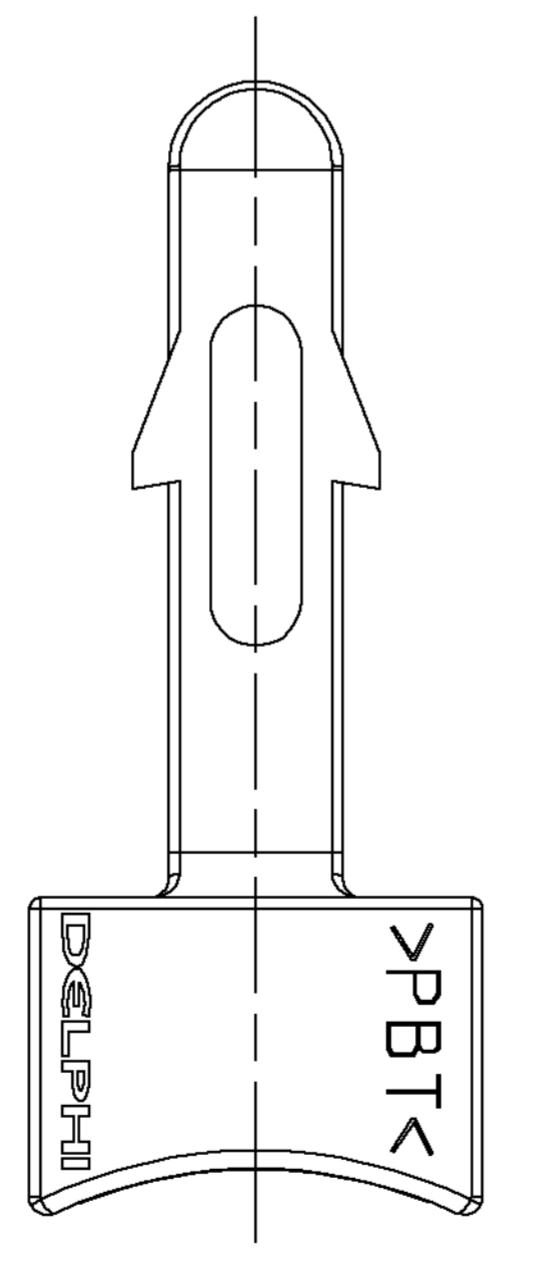
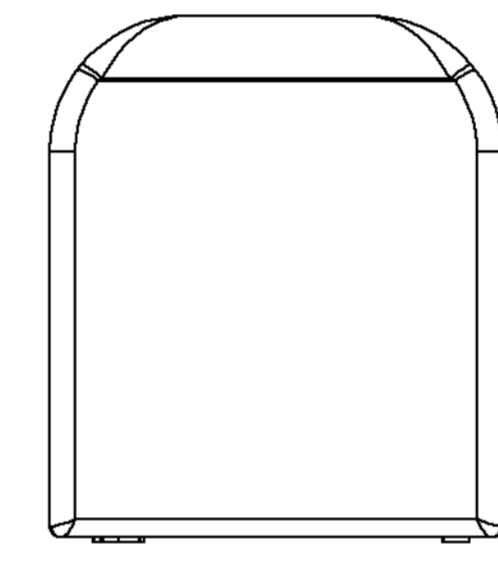
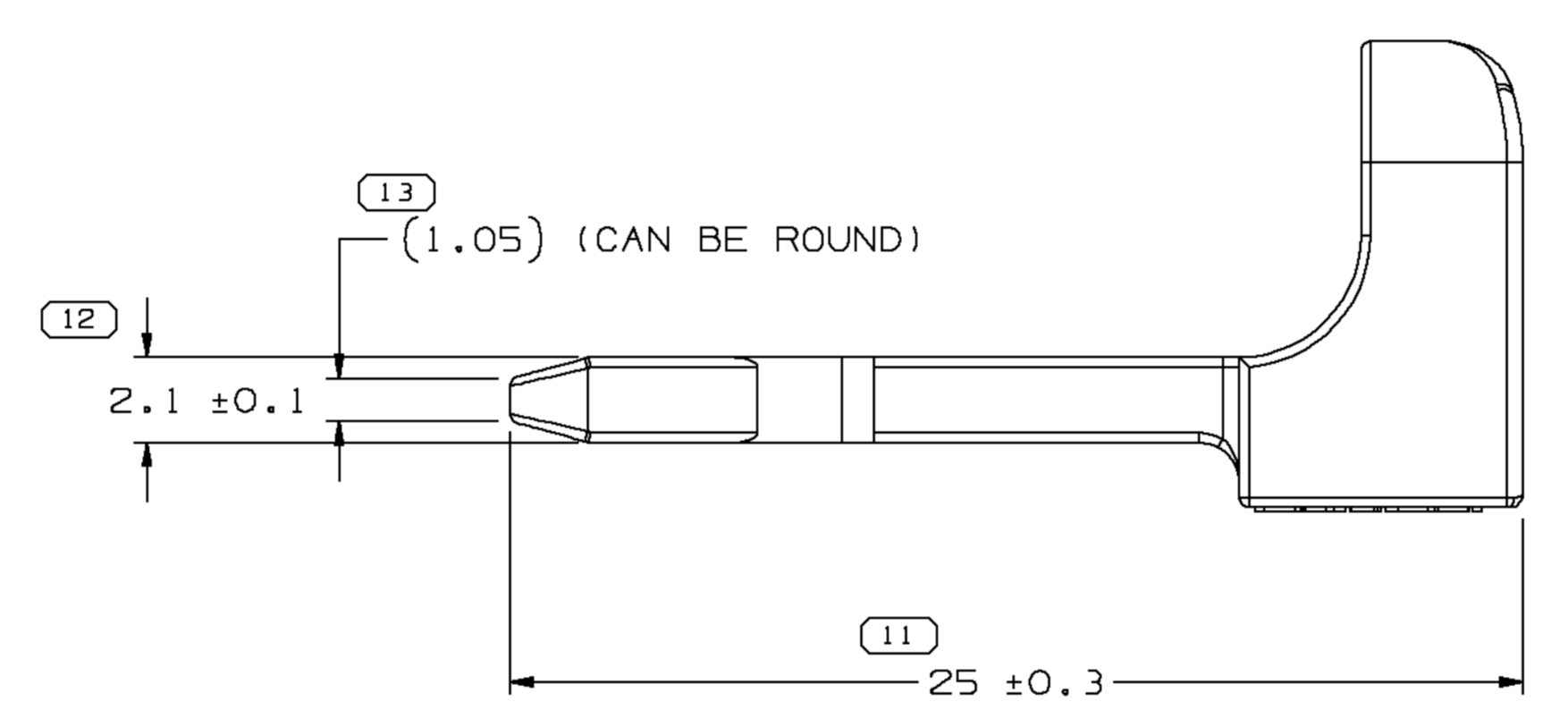
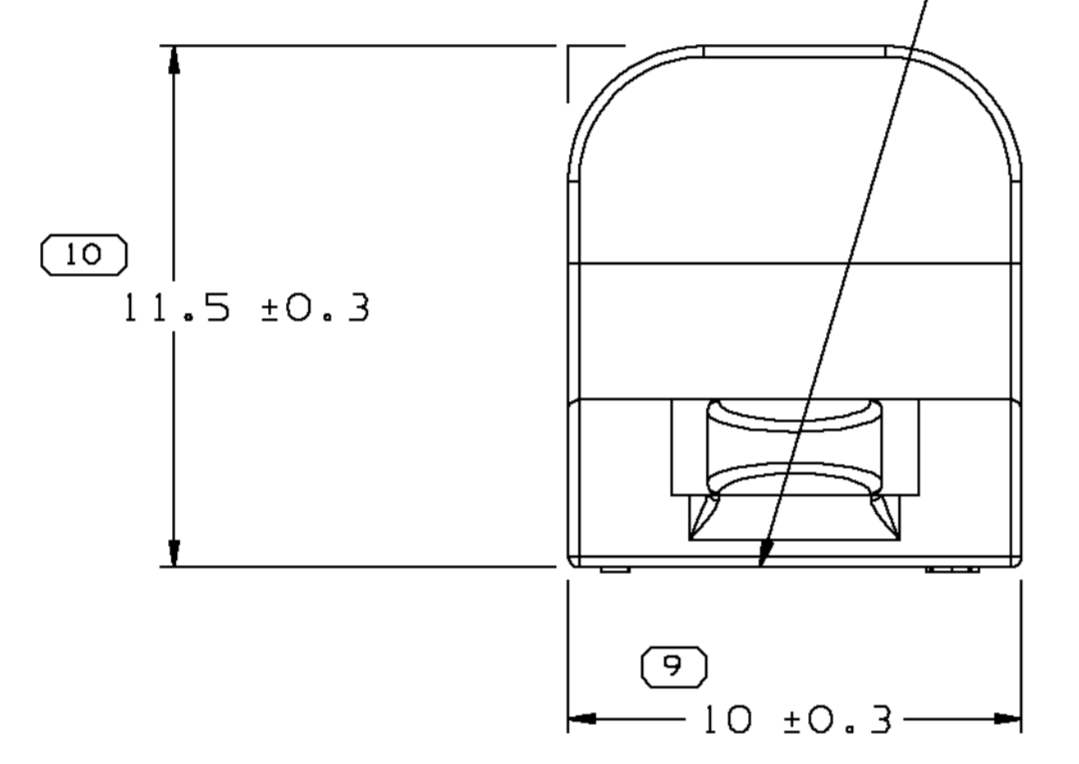
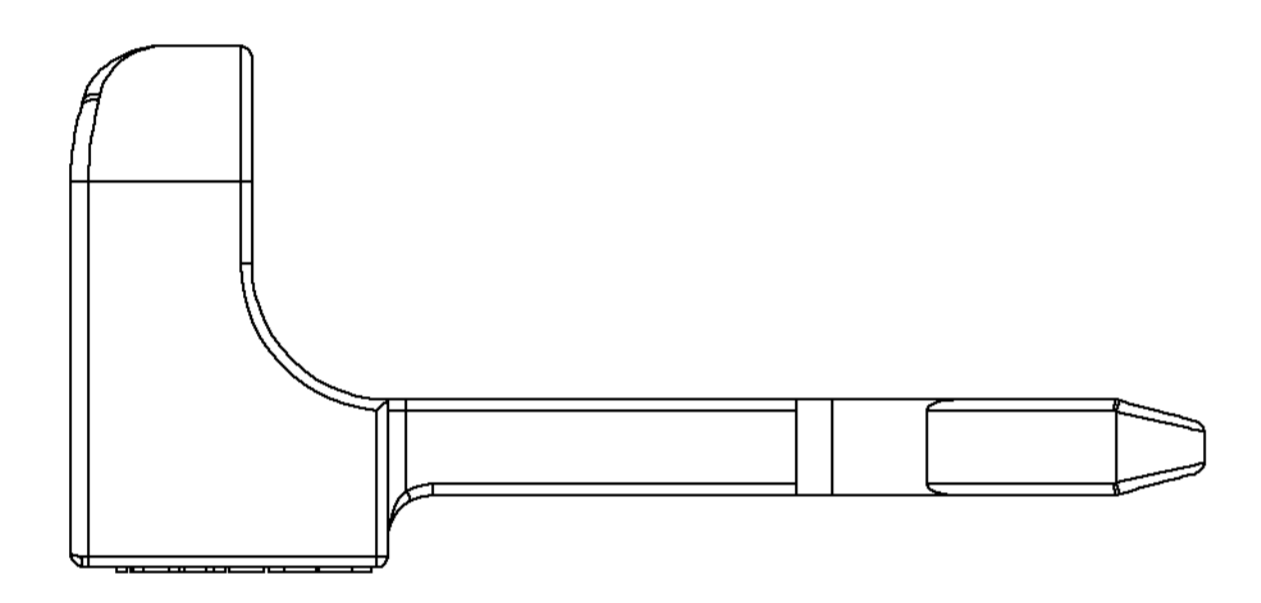
SYMBOL DEFINITION		MISSING SYMBOLS	
A DIMENSION WITHOUT AN INSPECTION REPORT SYMBOL DOES NOT REQUIRE INSPECTION. IT MAY BE CONTROLLED ON THE INDIVIDUAL COMPONENT DRAWING.	TOTAL NO OF INSPECTIONS REQUIRED	NO MISSING SYMBOL NUMBER	
	15		
	LAST NO. USED		
	13		

DWG STATUS				REVISION HISTORY				AUTH		APVD	
DATE	STG	REV	W/P	CHG	ZONE	NO	DESCRIPTION	BY	DATE	BY	DATE
100C02	R	F2	-	-		1	WAS ON TAXI 12124370; MAT'L SPEC WAS R0100109 & ADDED NOTES (2 PLCS)	229931		EGR	ET

7 THIS SURFACE MUST BE SMOOTH AND FREE OF SHARP EDGES AND PROTRUSIONS.



B GATE NOT TO EXTEND PAST THIS SURFACE



OPTIONAL CONSTRUCTION

- NOTES
- UNLESS OTHERWISE SPECIFIED AND/OR INDICATED: DIMENSIONS ARE TO FACE OF VIEW SHOWN AND AUTOMATICALLY ROUNDED BY COMPUTER FOR INSPECTION (SEE MATH MODEL FOR PRECISE DIMENSIONS). FOR ALL OTHER DIMENSIONS NOT SHOWN BUT REQUIRED FOR TOOL BUILD, SEE MATH MODEL FOR PRECISE TOOL PATH DATA.
  - MATERIAL RECYCLING CODE >PBT< PER SAE J1344. (1.8)X(0.1) RAISED CHARACTERS AS SHOWN TO BE LOCATED ON ANY EXTERIOR SURFACE. OPTIONAL CONSTRUCTION TO BE NO MATERIAL RECYCLING CODE.
  - THIS PART IS NOT CONTROLLED FOR AUTOMATIC FEEDING.
  - (1.8)X(0.1) RAISED DELPHI CORPORATE BRAND TO BE LOCATED ON ANY EXTERIOR SURFACE, PREFERABLY VISIBLE AT FINAL ASSEMBLY. OPTIONAL CONSTRUCTION TO BE "PED" OR NO LOGO.

DWO TYPE		PART DRAWING	
STYLE	Q,617	DISTR CODE	D
VOLUME (COP)	6900		
ROUTING			

**DELPHI**  
DELPHI PACKARD ELECTRIC SYSTEMS  
WARREN, OH

DR	DATE
APVD1 E. GARCIA	100C02
APVD2 E. GARCIA	100C02
APVD3 E. TRACEY	110C02
APVD4	
APVD5	

MATERIAL: M4695003 - PBT GRA

DRAWING NAME: CPA PERP M/P - W/P

DRAWING NUMBER: 12020833

SIZE: A0 SCALE: 6:1 FRAME NO: 1 SHEET NO: 1 OF 1 STD REV: W/P

DIMENSIONAL RANGE (MM)		CHART ET	
FROM	TO	1	2
0	20	0.1	0.15
20	30	0.15	0.2
30	50	0.2	0.3
50	100	0.3	0.4
100	150	0.4	0.5
150	200	0.5	0.6
200	250	0.6	0.8
250	300	0.8	1.0
300	400	1.0	1.2

THIRD ANGLE PROJECTION

DO NOT SCALE

USE MATH DATA

UNIGRAPHICS