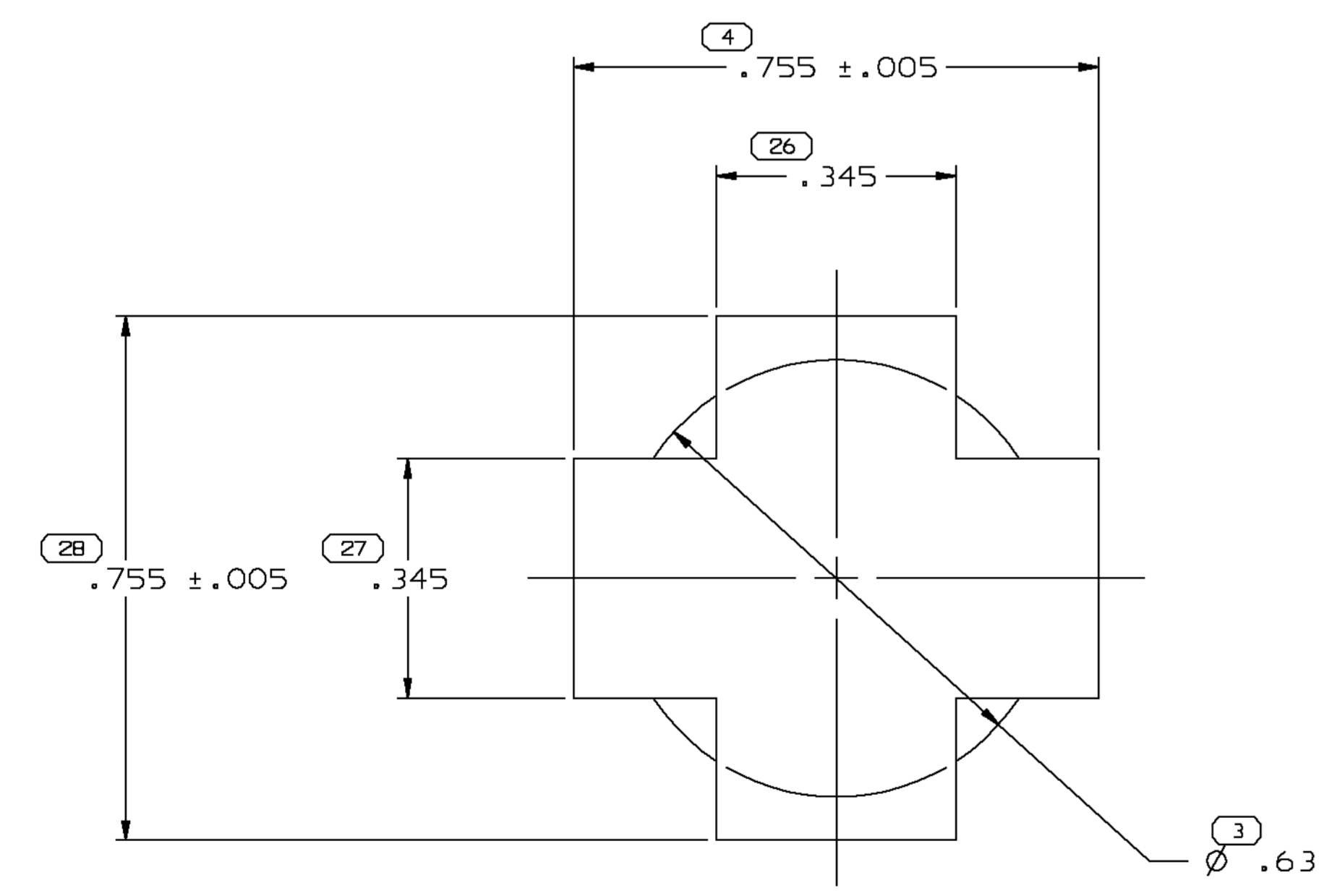
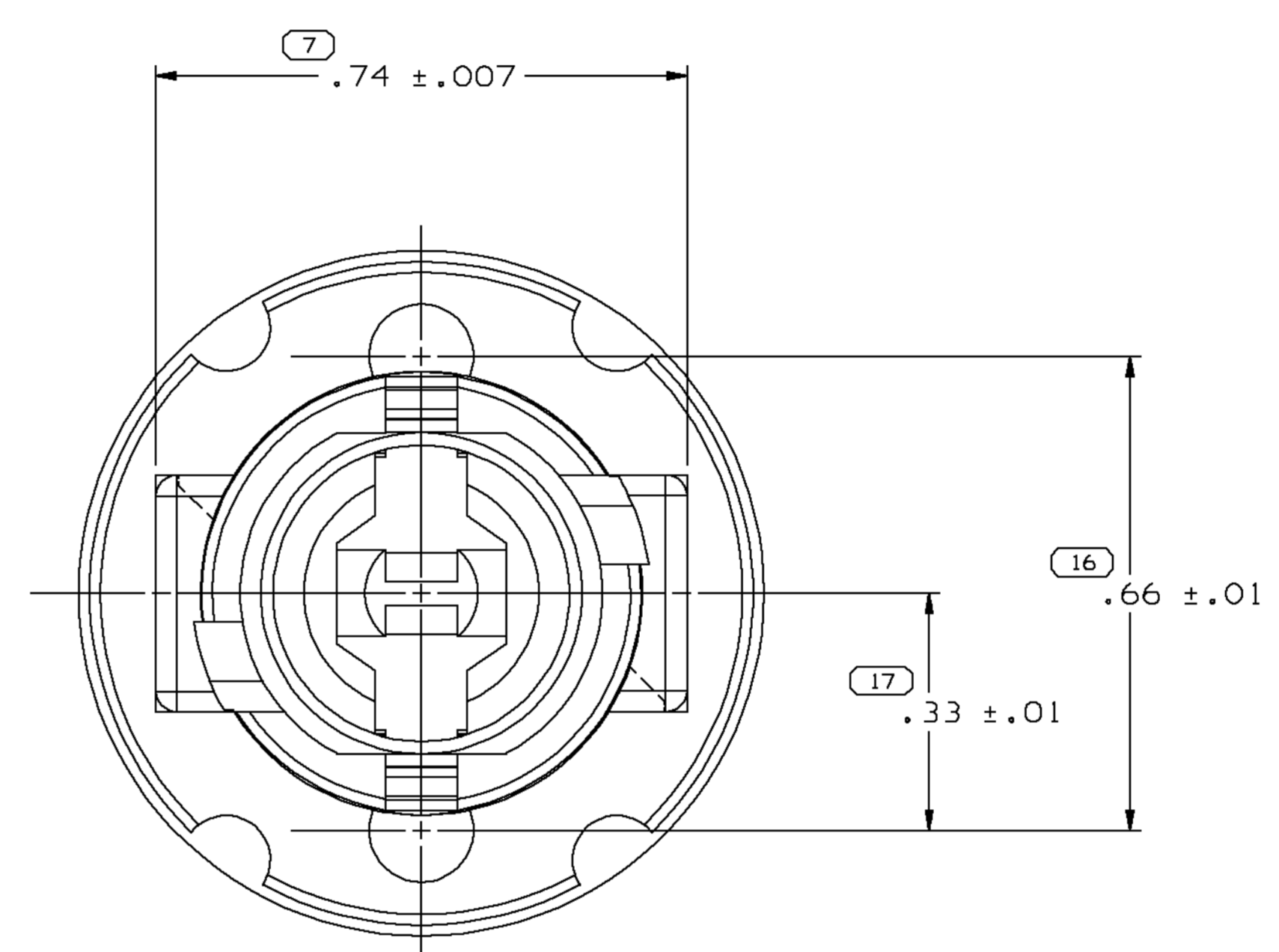
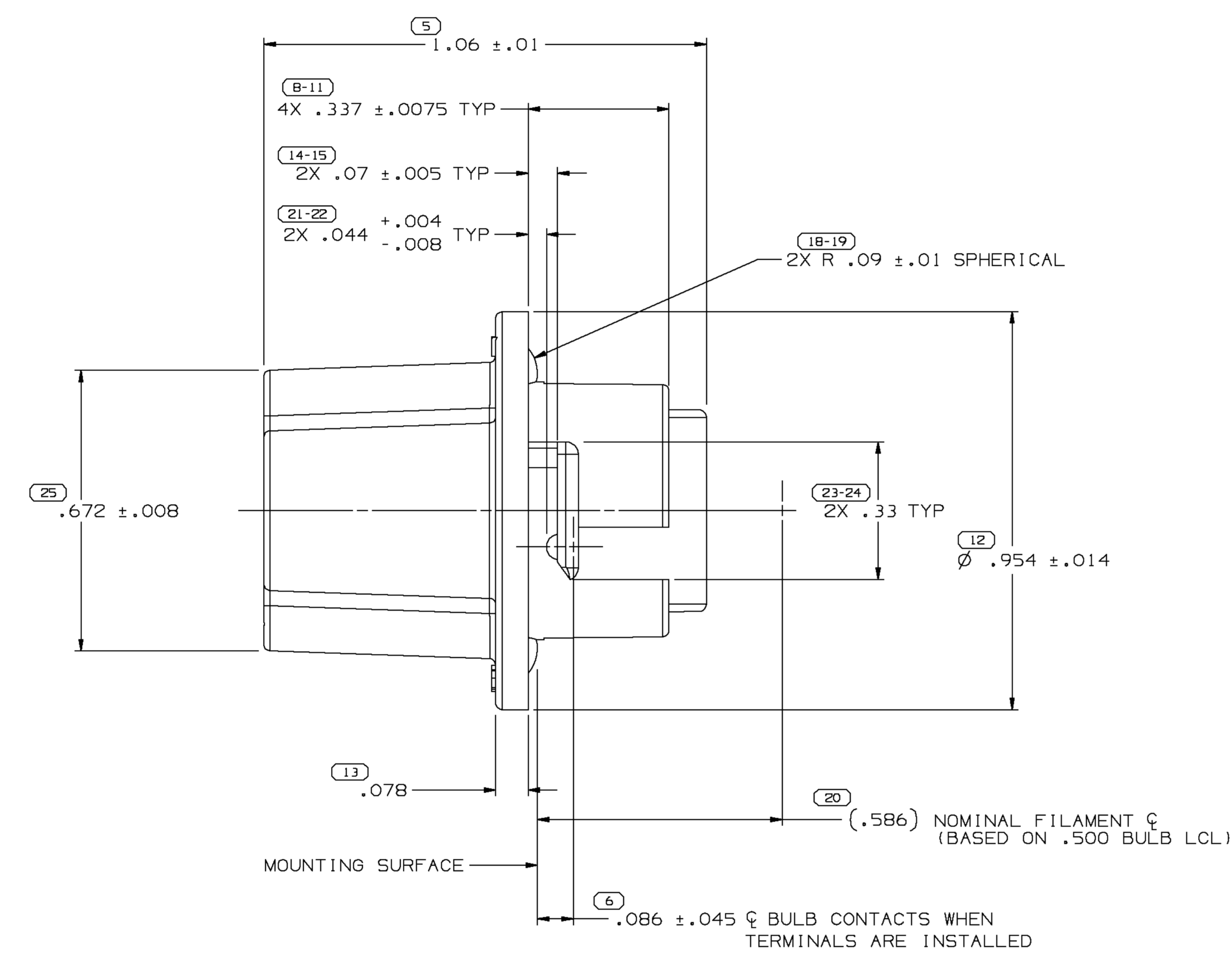
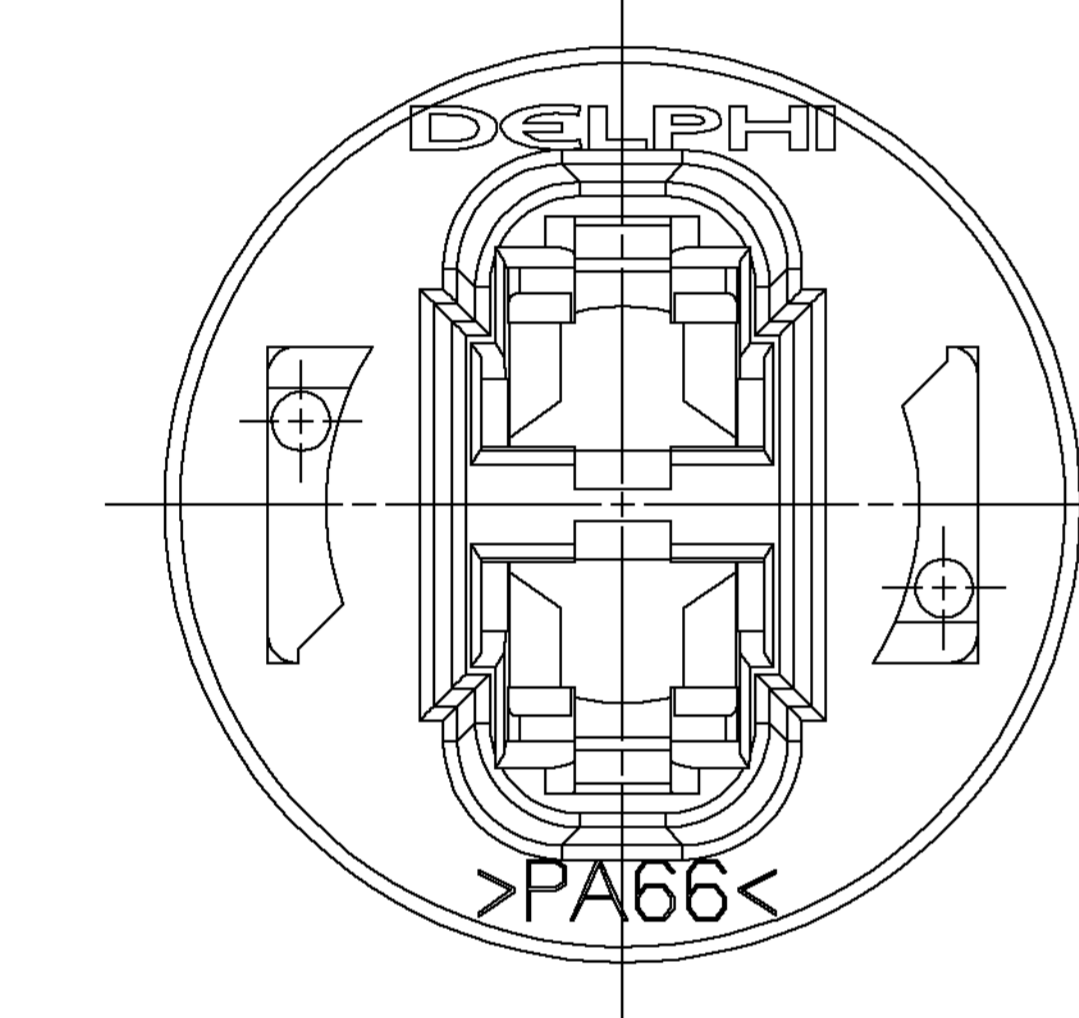
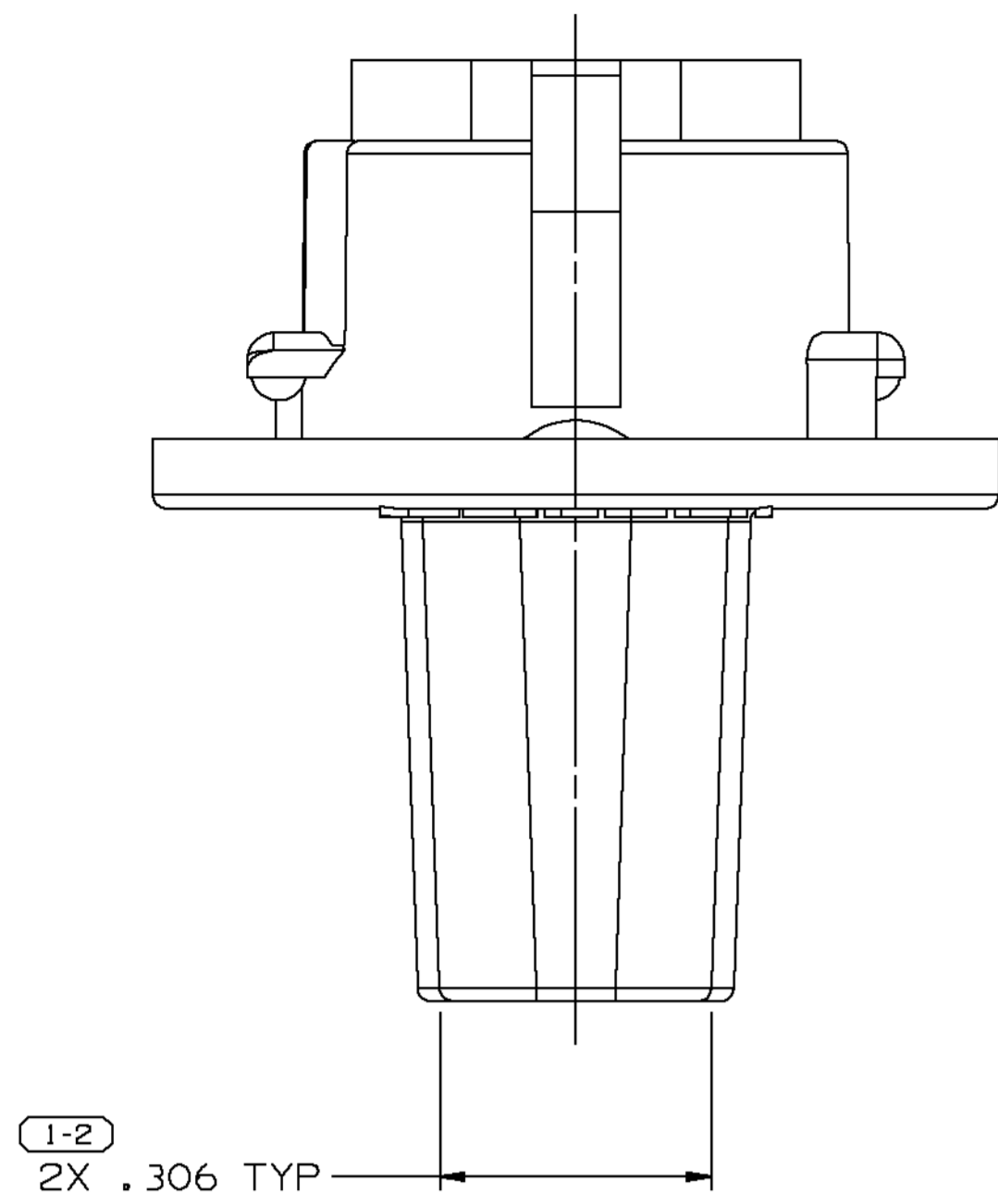
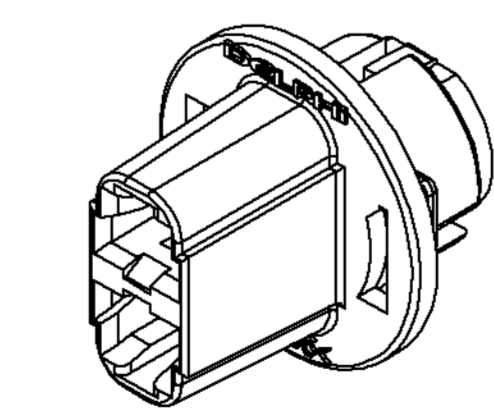


SYMBOL DEFINITION		MISSING NUMBERS		DWG STATUS				REVISION HISTORY				AUTH		DR		APVD	
THE NUMBER INSIDE THE SYMBOL CORRESPONDS TO THE NUMBER ON THE INSPECTION REPORT FOR THIS DRAWING/PART NUMBER	TOTAL NO. OF SYMBOLS ON DRAWING	LAST NO. USED		DATE	STG	REV	N/P	CHG	ZONE								
	20			17AP02	R	04	-	-		15430583	-	RELEASED	221734	LEG	BEG	AM	
				18FEO3	R	05	-	-		12162082-84	-	UPDATED PDM ATTRIBUTES	236732	RH	RH	AL	M
				20FEO3	R	06	-	-		15430583	-	UPDATED PDM ATTRIBUTES	237250	RH	RH	AL	M



SOCKET TO BE ASSEMBLED IN HOLE SHOWN IN .055-.065 THICK PLASTIC PANEL

- NOTES
- UNLESS OTHERWISE SPECIFIED AND/OR INDICATED: DIMENSIONS ARE TO FACE OF VIEW SHOWN AND AUTOMATICALLY ROUNDED BY COMPUTER FOR INSPECTION (SEE MATH MODEL FOR PRECISE DIMENSIONS). FOR ALL OTHER DIMENSIONS NOT SHOWN BUT REQUIRED FOR TOOL BUILD, SEE MATH MODEL FOR PRECISE TOOL PATH DATA.
 - THIS PART ACCEPTS THE FOLLOWING COMPONENTS OR EQUIVALENT:
T.P.A 12059953
TERMINAL 12089661
 - MATERIAL RECYCLING CODE >PA66< PER SAE J1344. (.11X1.01) RAISED CHARACTERS AS SHOWN TO BE LOCATED ON ANY EXTERIOR SURFACE. OPTIONAL CONSTRUCTION TO BE NO MATERIAL RECYCLING CODE.
 - (.11X1.01) RAISED DELPHI CORPORATE BRAND TO BE LOCATED ON ANY EXTERIOR SURFACE, PREFERABLY VISIBLE AT FINAL ASSEMBLY. OPTIONAL CONSTRUCTION TO BE "PED" OR NO LOGO.



DWO TYPE		PART DRAWING	
STYLE	SEE CHART	DISTR CODE	D
VOLUME (CM³)	6900		
ROUTING			

UNLESS OTHERWISE SPECIFIED
THIS DOCUMENT IS IN ACCORDANCE WITH ASME Y14.5M-1994 AS AMENDED BY Y14.5M-2009 DIMENSIONING AND TOLERANCING ADDENDUM - 1997. ALL GEOMETRIC TOLERANCES AND RELATED DATUMS APPLY TO ALL DIMENSIONS UNLESS OTHERWISE SPECIFIED. DIMENSIONS ARE IN INCHES UNLESS OTHERWISE SPECIFIED. SEPARATE POSITION CALLOUTS MAY BE BASED SEPARATELY. ALL DIMENSIONS ARE IN INCHES.

DELPHI
DELPHI PACKARD ELECTRIC SYSTEMS
WARREN, OH

OR	DATE
APVD1 ANDRES MENDEZ	23JUN00
APVD2 A UGALDE G	29JUN00
APVD3 RICARDO CORZAS	06JUL00
APVD4	
APVD5	

MATERIAL SEE CHART

DRAWING NAME
TAXI LP SOC WGE BSE W2

DRAWING NUMBER
08905382

SIZE A0 SCALE 5:1 FRAME NO 1 OF 1 SHEET NO 3 OF 3 REV 06

PART NO	REV	N/P	STATUS	MATERIAL SPECIFICATION AND COLOR	VOLUME CM³
15430583	001	AA		M227900B PA66 GF14 HS IM BLU	2.763
12162084	004	AA		M3592012 PA66 IM HS GRA LT	2.763
12162083	004	AA		M3592001 PA66 IM HS BLK	2.763
12162082	004	AA		M3592002 PA66 IM HS NAT	2.763

DIMENSIONAL RANGE (IN)		CHART	THIRD ANGLE PROJECTION	DO NOT SCALE	
FROM	0	>.750	>1.250	>2.750	>4.000
TO	.350	1.250	2.750	4.000	
TOLERANCE UNLESS OTHERWISE SPECIFIED					
+ .005 1.010 1.012 1.015 1.020					
ANGULAR TOLERANCE ±2°					