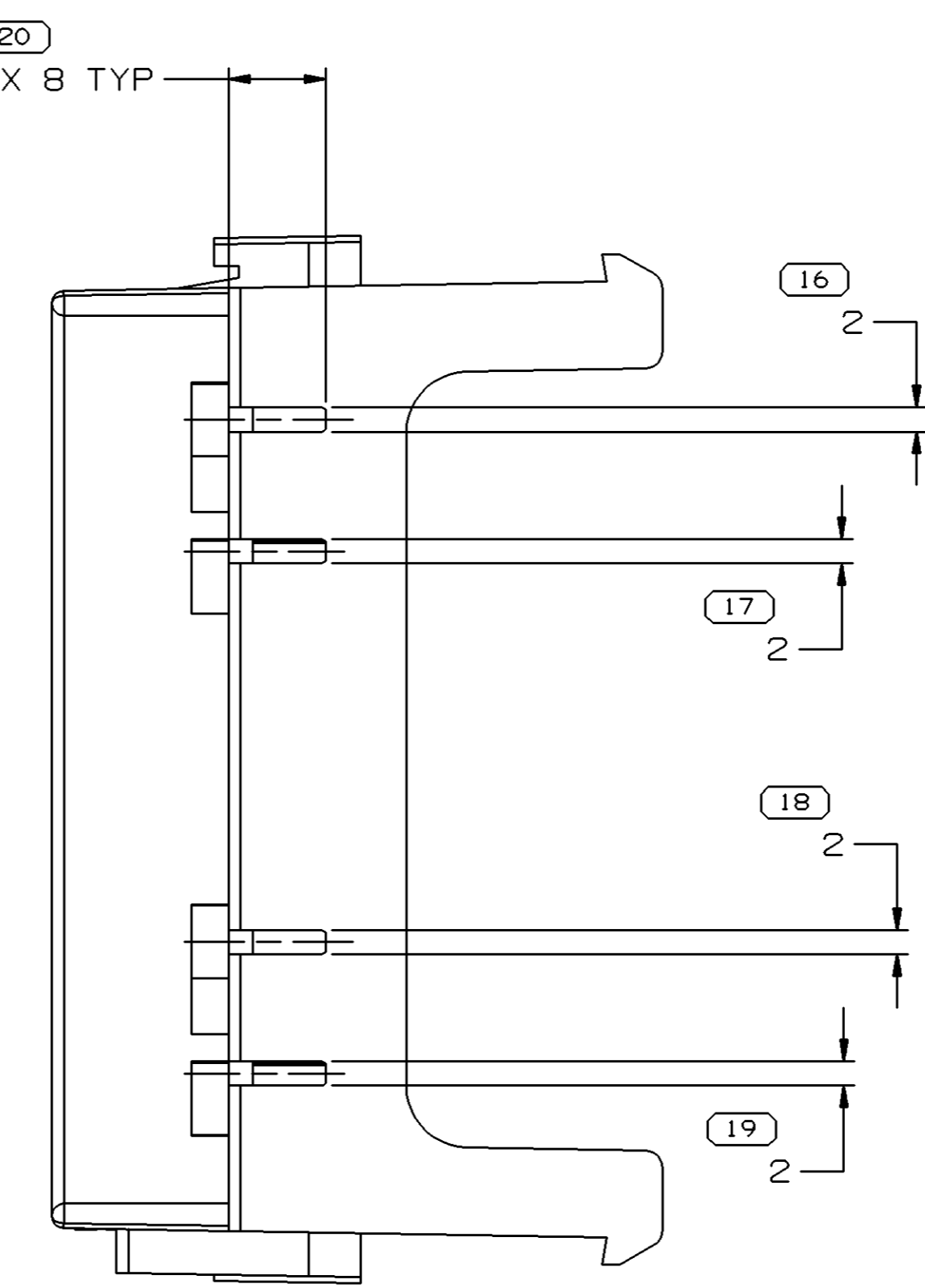
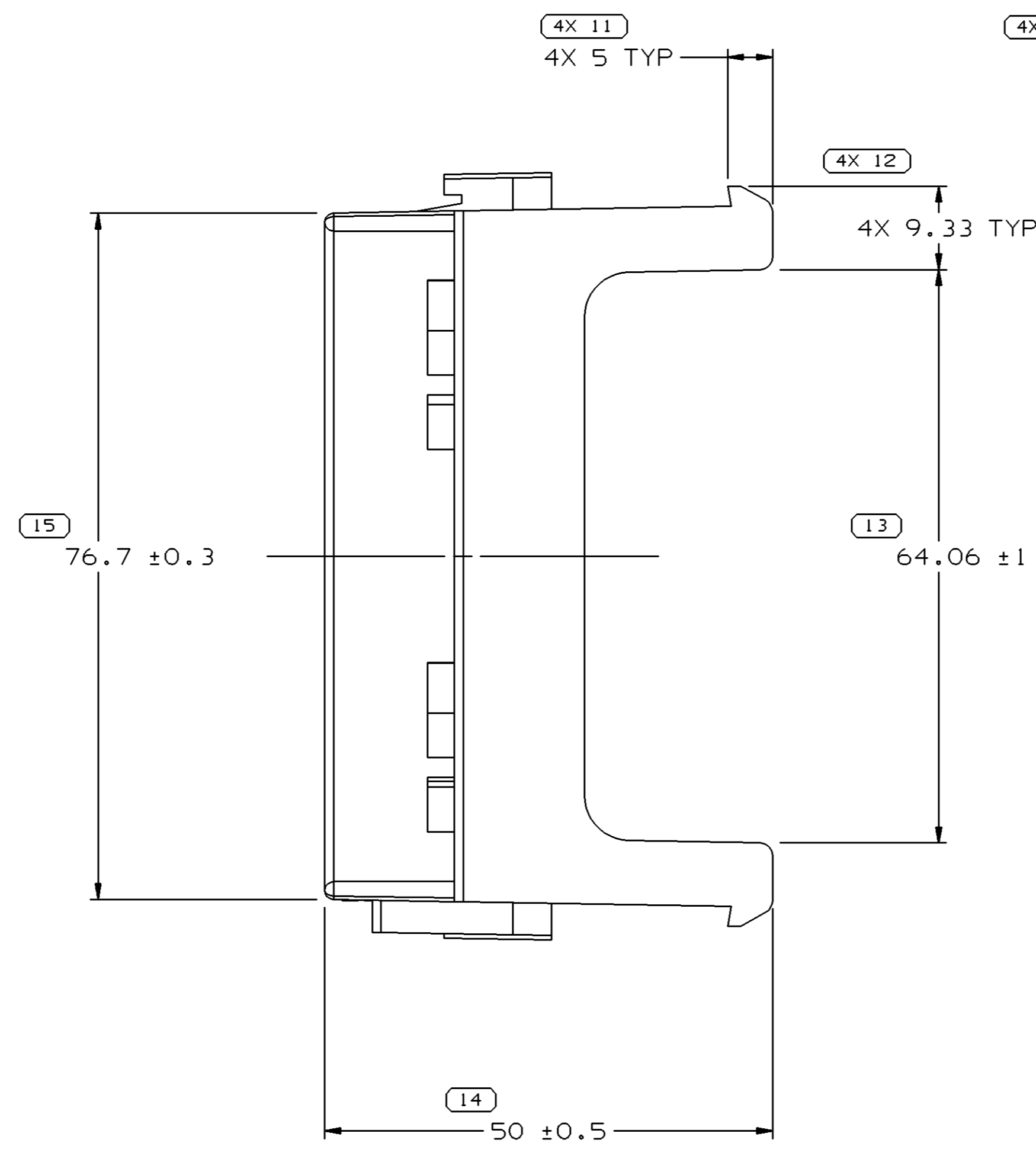
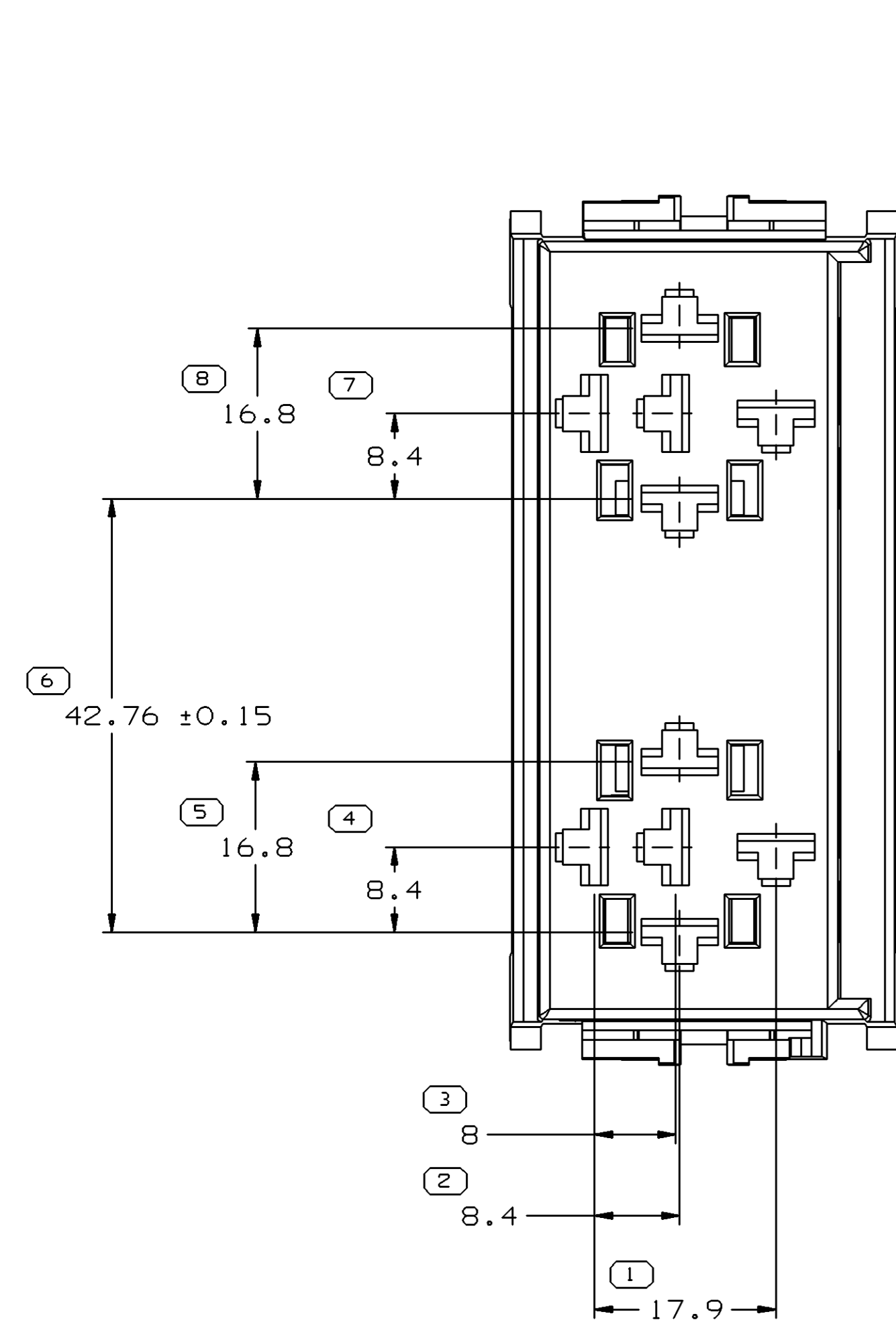
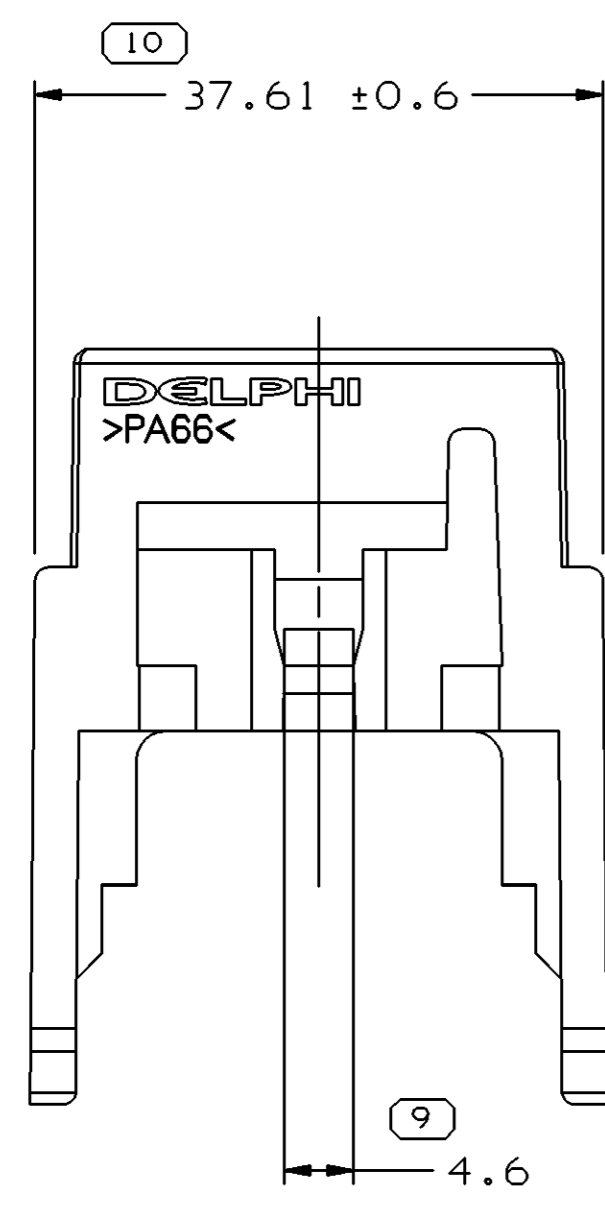


SYMBOL DEFINITION		MISSING SYMBOLS	
A DIMENSION WITHOUT AN INSPECTION REPORT SYMBOL DOES NOT REQUIRE INSPECTION. IT MAY BE CONTROLLED ON THE INDIVIDUAL COMPONENT DRAWING.	TOTAL NO OF INSPECTIONS REQUIRED	NO MISSING SYMBOL NUMBER	29
	LAST NO. USED		20

DWG STATUS					ZONE	REVISION HISTORY	AUTH	DR	APVD 1	APVD 2
DATE	STG	REV	N/P	CHG						
15AU02	R	01	-	-		REDRAWN TO PD	224270	JYD	JYD	JH
15AU02	R	02	-	-		12077574 - WAS SEPARATED DWG	228714	JYD	JYD	JH
15AU02	R	03	-	-		ALL PARTS - ADDED DIM 2 PLCS; 15423524 - REVISED DIMS 2 PLCS & REMOVED DIM 2.05	232293	JYD	JYD	JH
15AU02	R	04	-	-		15423524 - ADDED DIMS 7 PLCS & REVISED DIMS 2 PLCS	232059	JYD	JYD	JH
01AP03	R	05	-	-		12077574 - MAT'L SPEC WAS M3592200; 15423524 - REVISED DIMS (2 PLCS)	239166	JYD	JYD	JH
08JN05	R	06	-	-		12077574 - OBSOLETE	268851	MDH	FRG	GCD

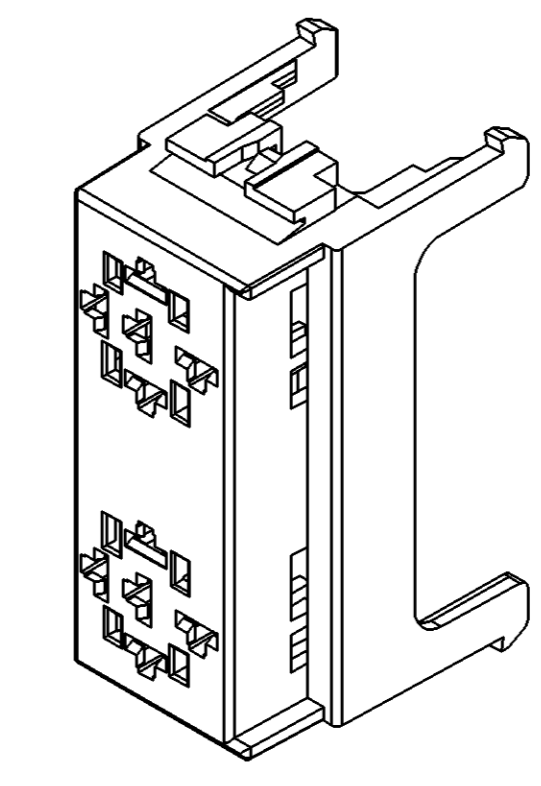


TYPE 102  
SAME AS TYPE 101  
EXCEPT AS SHOWN



NOTES

- UNLESS OTHERWISE SPECIFIED AND/OR INDICATED:  
DIMENSIONS ARE TO FACE OF VIEW SHOWN AND AUTOMATICALLY ROUNDED BY COMPUTER FOR INSPECTION (SEE MATH MODEL FOR PRECISE DIMENSIONS). FOR ALL OTHER DIMENSIONS NOT SHOWN BUT REQUIRED FOR TOOL BUILD, SEE MATH MODEL FOR PRECISE TOOL PATH DATA.
- THIS PART USED 12077573 COVER OR EQUIVALENT.
- MATERIAL RECYCLING CODE PER ISO 11469. (2.3)X(0.1) RAISED CHARACTERS AS SHOWN TO BE LOCATED ON ANY EXTERIOR SURFACE. OPTIONAL CONSTRUCTION TO BE NO MATERIAL RECYCLING CODE.
- (2.3)X(0.1) RAISED DELPHI CORPORATE BRAND TO BE LOCATED ON ANY EXTERIOR SURFACE, PREFERABLY VISIBLE AT FINAL ASSEMBLY. OPTIONAL CONSTRUCTION TO BE "PED" OR NO LOGO.
- THIS PART USES 12077573 COVER OR EQUIVALENT
- THIS PART MATES WITH MOUNTING BASE 12084910 OR EQUIVALENT
- CAVITIES ACCEPT 12015135 TERMINAL OR EQUIVALENT. MAX INSULATION CRIMP MUST BE LESS THAN 5.65 HIGT AND 7.5 WIDE.
- SEALING CODE 0



PART NO	REV	N/P	STATUS	MATERIAL SPECIFICATION AND COLOR	MATING SECONDARY LOCK	TYPE	VOLUME	REPLACED BY
15423524	01	AC		M3592001 - PA66 HS IM BLK	ACCEPTS 15423525 (2)	102	28.608	-
12077574	G5	-	OBSOLETE	M3592001 - PA66 HS IM BLK	ACCEPTS 12033872 (2)	101	28.869	15423524

DIMENSIONAL RANGE (MM)		TOLERANCE UNLESS OTHERWISE SPECIFIED		CHART E1	
FROM	TO	±0.15	±0.2	±0.3	±0.4
>0	>20	>20	>30	>30	>70
>20	>30	>30	>70	>70	>100
>30	>70	>70	>100	>100	>150
>70	>100	>100	>150	>150	>200
>100	>150	>150	>200	>200	>250
>150	>200	>200	>250	>250	>300
>200	>250	>250	>300	>300	>400

DWG TYPE		PART DRAWING	
STYLE		SEE CHART	
VOLUME (CM³)		DISTR CODE	
UNLESS OTHERWISE SPECIFIED		D	
THIS DOCUMENT IS IN ACCORDANCE WITH ASME Y14.5M-1994 AS AMENDED BY THE GM GLOBAL DIMENSIONING AND TOLERANCING ADDENDUM - 1997. ALL GEOMETRIC TOLERANCES AND RELATED DATUMS APPLY RFS. RULE #1 PERFECT FORM AT MMC DOES NOT APPLY WHEN RELATIONSHIP BETWEEN FEATURES IS ESTABLISHED BY ORIENTATION OR LOCATION TOLERANCES. SEPARATE POSITION CALLOUTS MAY BE GAGED SEPARATELY, REGARDLESS OF DATUM REFERENCE. ALL DIMENSIONS ARE IN MILLIMETERS			
THIRD ANGLE PROJECTION			
DO NOT SCALE			
USE MATH DATA			

**DELPHI**  
DELPHI PACKARD ELECTRIC SYSTEMS  
WARREN, OH

DR	DATE
APVD1 JESUS YEE	090C02
APVD2 JESUS YEE	090C02
APVD3 J. HORIUCHI	100C02
APVD4	
APVD5	

SUBSTANCES OF CONCERN AND RECYCLED CONTENT PER DELPHI 10949001

MATERIAL SEE CHART

DRAWING NAME  
TAXI CENT CONV CTR

DRAWING NUMBER  
15443921

SIZE	SCALE	FRAME NO	SHEET NO	STG	REV	N/P
A1	2:1	1 OF 1	1 OF 1	R	06	-