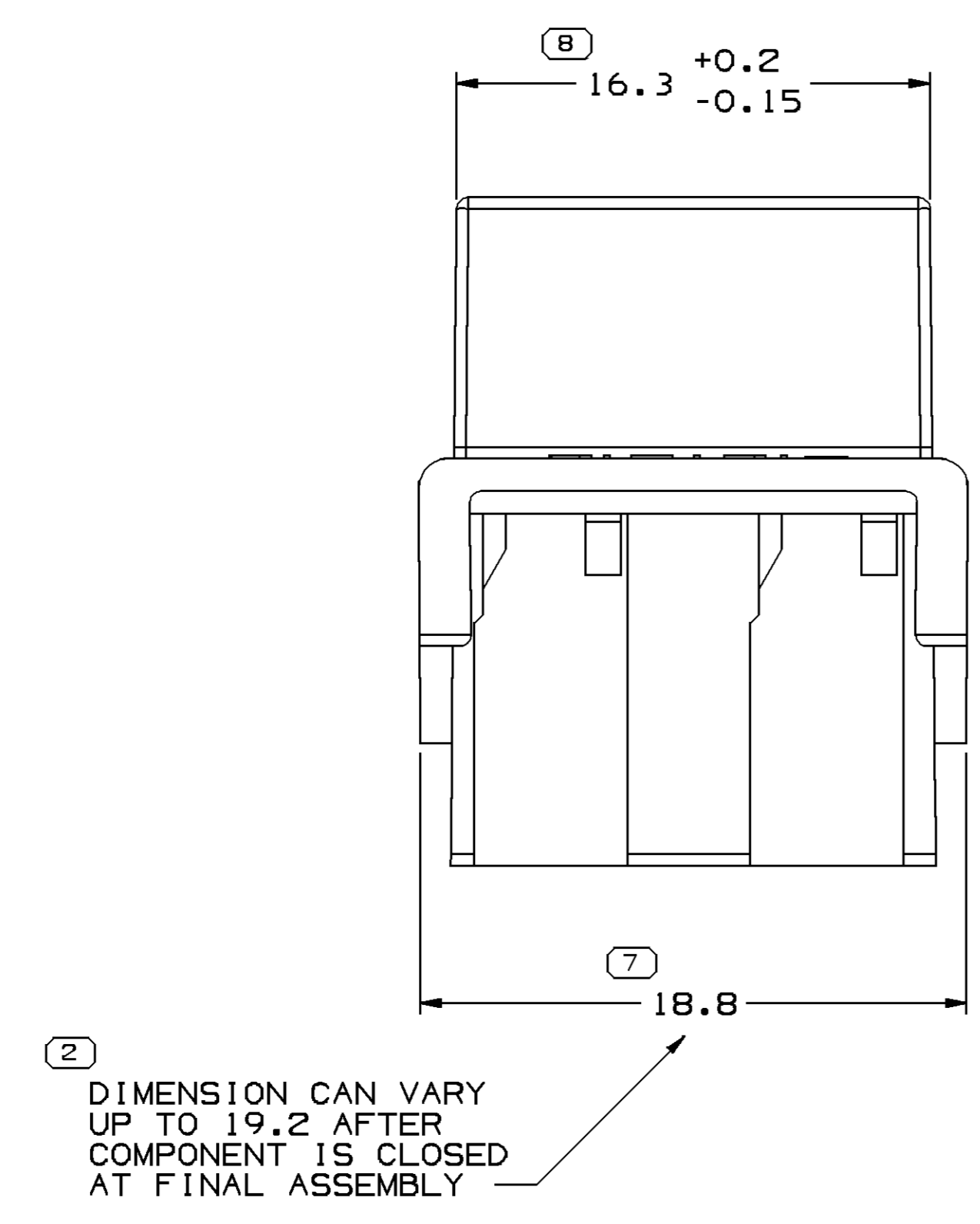
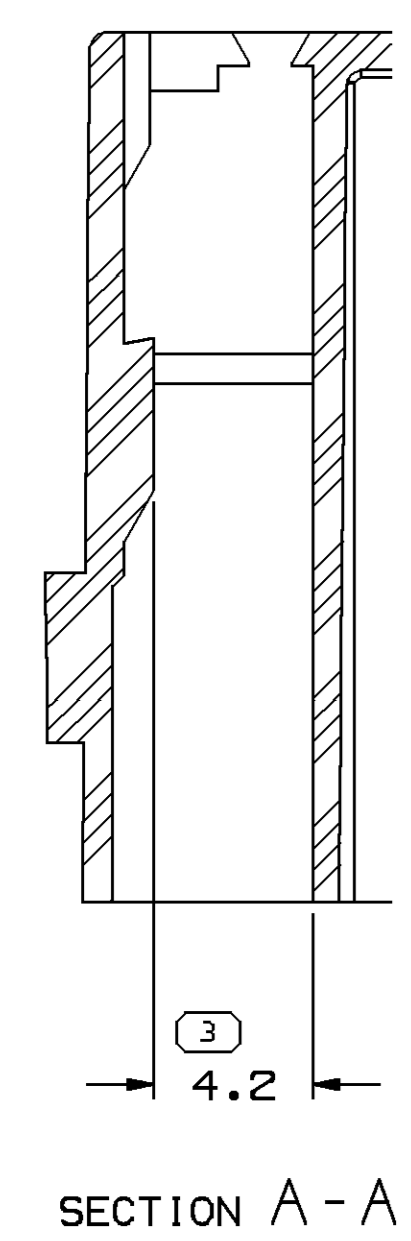
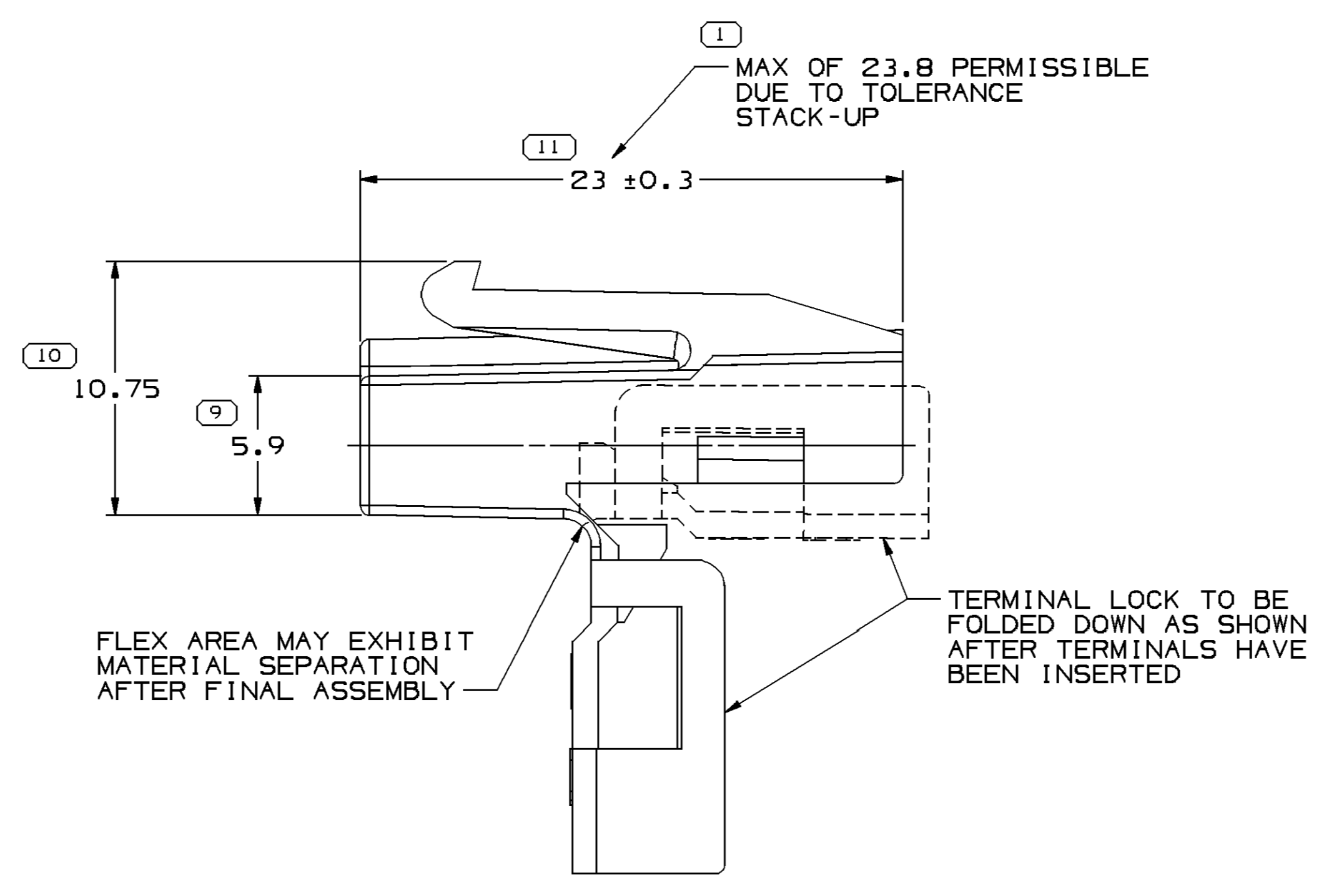
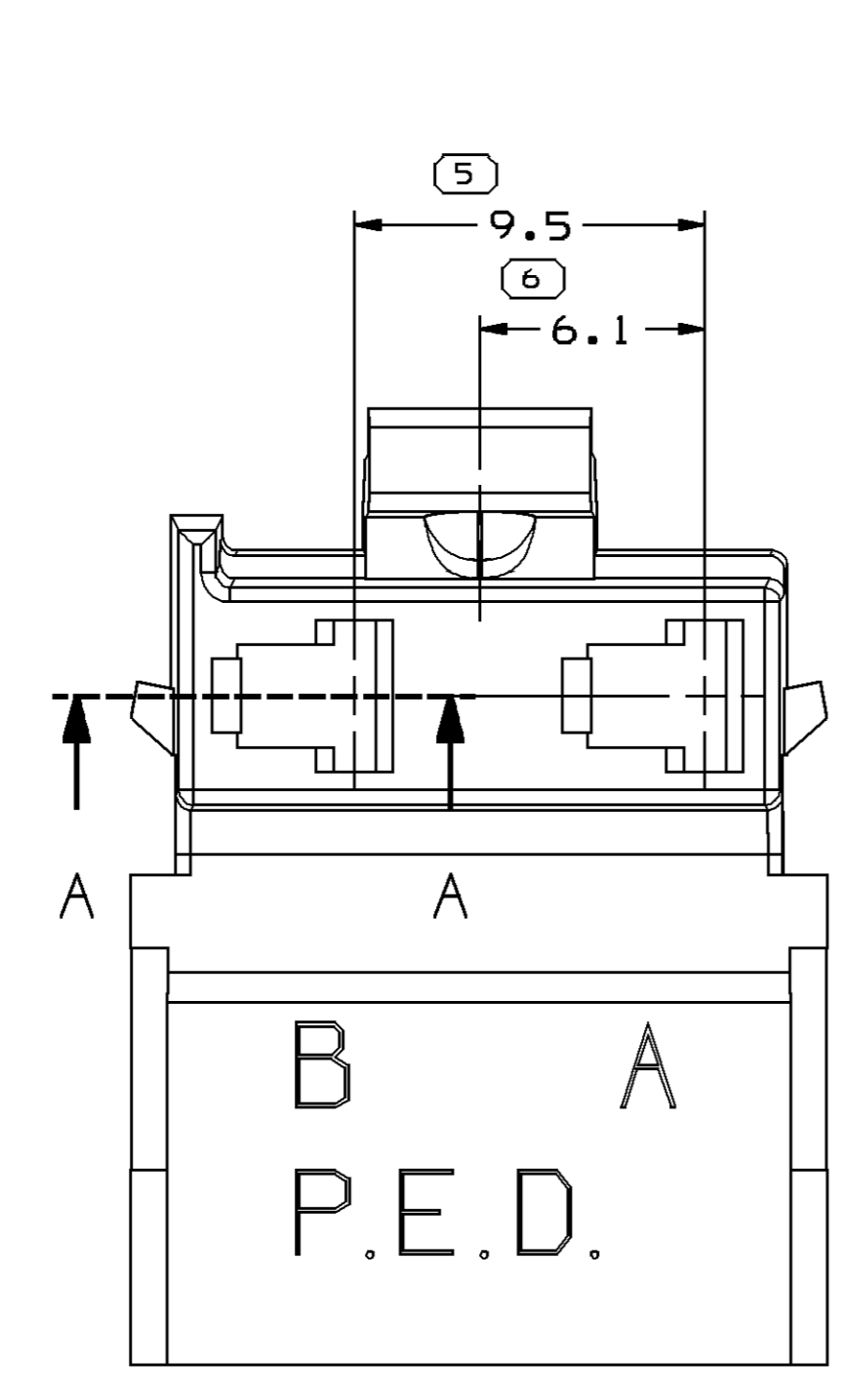
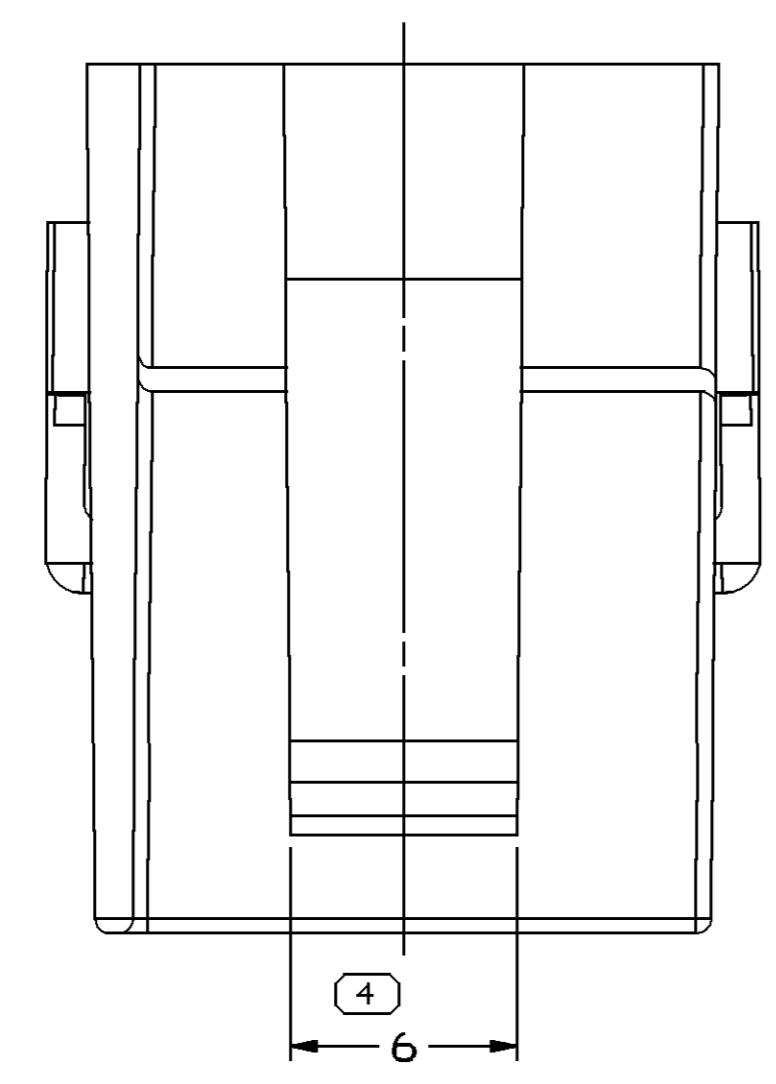


SYMBOL DEFINITION		TOTAL NO OF INSPECTIONS REQUIRED	11
A DIMENSION WITHOUT AN INSPECTION REPORT SYMBOL DOES NOT REQUIRE INSPECTION. IT MAY BE CONTROLLED ON THE INDIVIDUAL COMPONENT DRAWING.		LAST NO. USED	11

MISSING SYMBOLS		NO MISSING SYMBOL NUMBER		DATE		REV		ZONE		REVISION HISTORY		AUTH		DR		AP/VD	
24FE99	R	01	-	-	-	-	-	-	-	-	ALL PARTS - REDRAWN TO PD; OBSOLETE PARTS REMAIN OBSOLETE	980007	HGH	GMC	08		
24FE99	R	02	-	-	-	-	-	-	-	-	ALL PARTS - ADDED NOTE; OBSOLETE PARTS REMAIN OBSOLETE	191577	HGH	GMC	08		
24FE99	R	03	-	-	-	-	-	-	-	-	ALL PARTS - UPDATED PDM ATTRIBUTES	191599	GMC	GMC	08		
20AU99	R	04	-	-	-	-	-	-	-	-	12015199 - UPDATED PDM ATTRIBUTES	191265	EVV	FRV	JM		
18DE01	R	05	-	-	-	-	-	-	-	-	ALL ACTIVE PARTS - ADDED NOTES (2 PLCS), REVISED MAT'L SPEC & LOGO	215879	EBR	EAR	RC		
16MY03	R	06	-	-	-	-	-	-	-	-	ALL ACTIVE PARTS - ADDED NOTE	241169	RH	RH	RC		
10AU04	R	07	-	-	-	-	-	-	-	-	UPDATED 280 METRI-PACK CAVITY	257885	MJM	MJM	MR		
04AP05	R	08	-	-	-	-	-	-	-	-	ALL ACTIVE PARTS - 23 ±0.3 WAS 23, 16.3 ±0.2/-0.15 WAS 16.3	265326	RH	RH	MR		
02MR06	R	09	-	-	-	-	-	-	-	-	12015199 - MAT'L SPEC WAS M3592002	278049	BLG	JVM	GGI		



- NOTES
- UNLESS OTHERWISE SPECIFIED AND/OR INDICATED: DIMENSIONS ARE TO FACE OF VIEW SHOWN AND AUTOMATICALLY ROUNDED BY COMPUTER FOR INSPECTION (SEE MATH MODEL FOR PRECISE DIMENSIONS). FOR ALL OTHER DIMENSIONS NOT SHOWN BUT REQUIRED FOR TOOL BUILD, SEE MATH MODEL FOR PRECISE TOOL PATH DATA.
 - REFERENCE MATING COMPONENTS OR EQUIVALENT: CONNECTOR 12015271
 - THIS PART ACCEPTS THE FOLLOWING COMPONENTS OR EQUIVALENT: TERMINAL 12033821
 - CONNECTOR NOT TO STANDARDS. CONNECTOR LIMITED TO 3 MM² PVC CABLE OR SMALLER.
 - MATING INFORMATION SEE: MATING CONFIG DWG 15369312 (FOR PART 12015199 ONLY)
 - MATERIAL RECYCLING CODE PER ISO 11469. (2.3)X(0.1) CHARACTERS AS SHOWN TO BE LOCATED ON ANY EXTERIOR SURFACE.
 - (2.3)X(0.1) DELPHI CORPORATE BRAND TO BE LOCATED ON ANY EXTERIOR SURFACE, PREFERABLY VISIBLE AT FINAL ASSEMBLY. OPTIONAL CONSTRUCTION FOR EXISTING TOOLING MAY BE "PED".

PART NO	REV	N/P	STATUS	MATERIAL SPECIFICATION AND COLOR	VOL	CM ³
12048273	H3	-	OBSOLETE	M3596003 PA6-6RA MD	1.720	
12034343	10	AB	-	M3592001 - PA66 1M HS BLK	1.679	
12034009	10	AB	-	M3592012 - PA66 1M HS GRA LT	1.679	
12015199	11	-	-	M3592024 - PA66 HS 1M CRM	1.679	

DIMENSIONAL RANGE (MM)	TOLERANCE UNLESS OTHERWISE SPECIFIED
FROM > 0 TO > 30	±0.15
> 30 TO > 70	±0.2
> 70 TO > 100	±0.3
> 100 TO > 150	±0.4
> 150 TO > 200	±0.5
> 200 TO > 250	±0.6
> 250 TO > 300	±0.8
> 300 TO > 400	±1.0

PART DRAWING	
STYLE	SEE CHART
VOLUME (CM ³)	018TR CODE
UNLESS OTHERWISE SPECIFIED	
THIS DOCUMENT IS IN ACCORDANCE WITH ASME Y14.9M-1994 AS MODIFIED BY THE IN CHARGE, DIMENSIONING AND TOLERANCING MANUAL (1997). ALL DIMENSIONS UNLESS OTHERWISE SPECIFIED SHALL BE IN MILLIMETERS. DIMENSIONS NOT SHOWN BUT REQUIRED FOR TOOL BUILD SHALL BE ESTABLISHED BY ORIENTATION OR LOCATION TOLERANCES. SURFACE FINISH CALLOUTS MAY BE SHOWN SEPARATELY, REGARDLESS OF DATUM REFERENCE. ALL DIMENSIONS ARE IN MILLIMETERS.	
THIRD ANGLE PROJECTION	DO NOT SCALE
USE MATH DATA	UNGRAPHS

DELPHI
DELPHI PACKARD ELECTRIC SYSTEMS
WREN, OH

DR	DATE
APV01 H. GAMA	16DE9B
APV02 G. MACIAS	16DE9B
APV03 O. GALLEGOS	18DE9B
APV04	

SUBSTANCES OF CONCERN AND RECYCLED CONTENT PER DELPHI 1094001

MATERIAL SEE CHART

DRAWING NAME: TAXI CONN F M/P 280

DRAWING NUMBER: 12034008

SCALE: 5:1

FRAME NO: 1 OF 1

SHEET NO: 1 OF 1

REV: R 09

