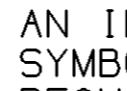
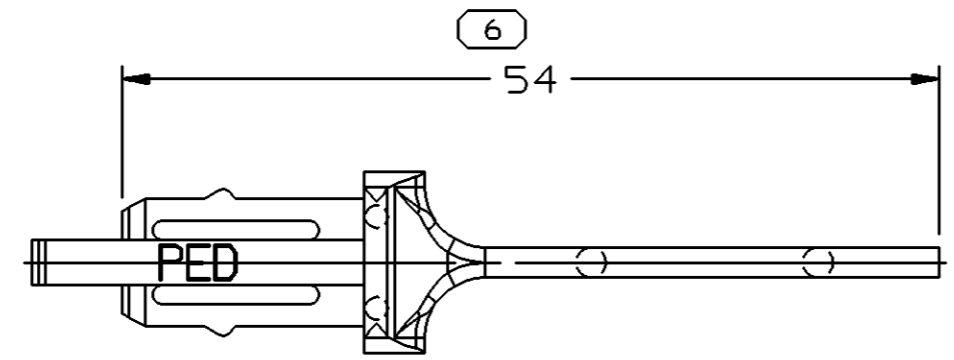
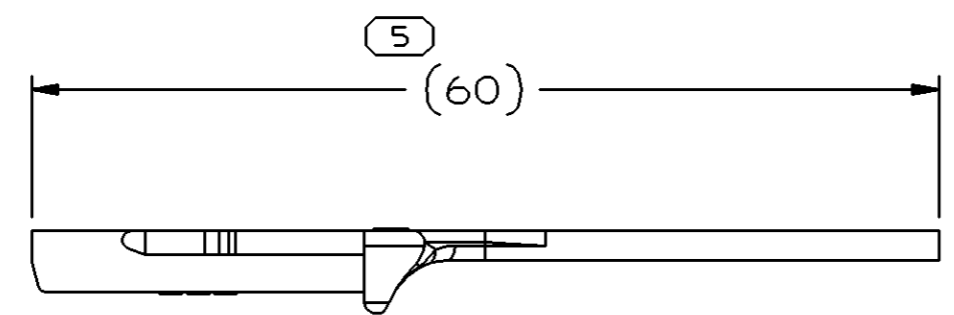


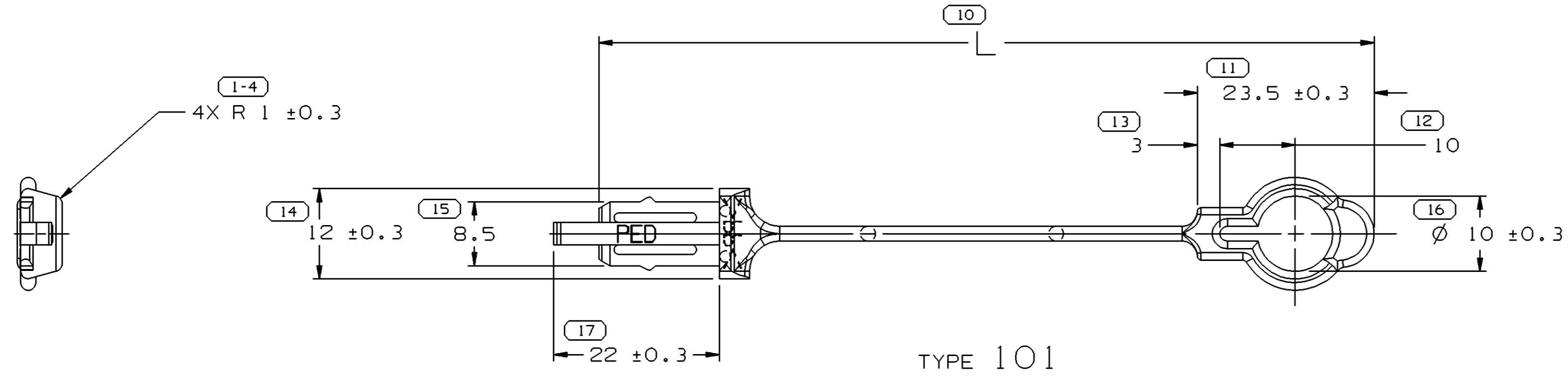
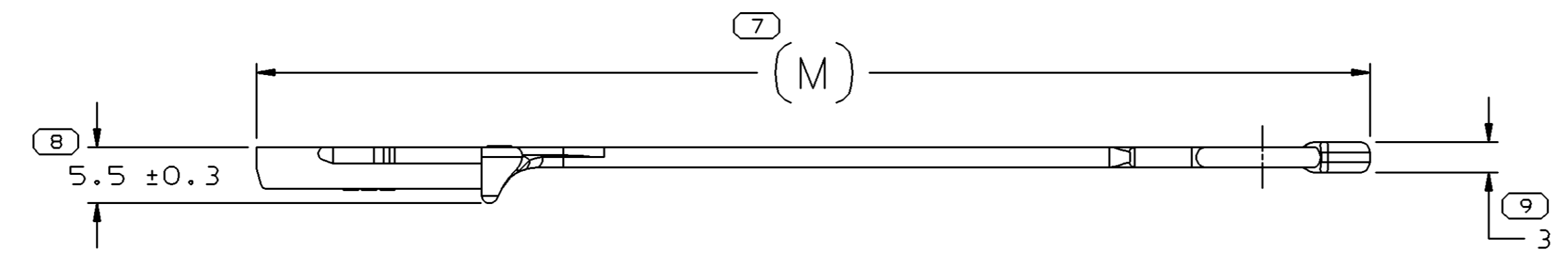
SYMBOL DEFINITION		MISSING NUMBERS	
A DIMENSION WITHOUT AN INSPECTION REPORT SYMBOL  DOES NOT REQUIRE INSPECTION. IT MAY BE CONTROLLED ON AN INDIVIDUAL COMPONENT DRAWING.	TOTAL NO. OF SYMBOLS ON DRAWING	14	
	LAST NO. USED	17	

DWG STATUS					ZONE	REVISION HISTORY	AUTH	DR	APVD1	APVD2
DATE	STG	REV	N/P	CHG						
06AP99	R	001	-	-		CLEARED REV COLUMN; ALL PARTS - REMOVED NOTE	193519	DAA	CMP	RC
11DE00	R	002	-	-		12092053, 12124913, 15324407 -REVISED PART DRAWING DATE, 040C93 WAS 03JN97	205199	JHH	JHH	DJ
11DE00	R	003	-	-		15402138 - RELEASED	000005	JHH	JHH	DJ
070C04	R	04	-	-		MAT'L SPEC WAS R0061354, R0063519, R0063782, R0067551 AND ADDED NOTES 2 & 4	259746	JBD	AUG	EST

OPTIONAL CONSTRUCTION
(FOR EXISTING TOOL ONLY)



TYPE 102
SAME AS TYPE 101
EXCEPT AS SHOWN



TYPE 101

NOTES

- UNLESS OTHERWISE SPECIFIED AND/OR INDICATED: DIMENSIONS ARE TO FACE OF VIEW SHOWN AND AUTOMATICALLY ROUNDED BY COMPUTER FOR INSPECTION (SEE MATH MODEL FOR PRECISE DIMENSIONS). FOR ALL OTHER DIMENSIONS NOT SHOWN BUT REQUIRED FOR TOOL BUILD, SEE MATH MODEL FOR PRECISE TOOL PATH DATA.
- MATERIAL RECYCLING CODE PER ISO 11469. (2.3)X(0.1) CHARACTERS AS SHOWN TO BE LOCATED ON ANY EXTERIOR SURFACE. OPTIONAL CONSTRUCTION TO BE NO MATERIAL RECYCLING CODE
- THIS PART IS NOT CONTROLLED FOR AUTOMATIC FEEDING.
- (2.3)X(0.1) DELPHI CORPORATE BRAND TO BE LOCATED ON ANY EXTERIOR SURFACE, PREFERABLY VISIBLE AT FINAL ASSEMBLY. OPTIONAL CONSTRUCTION TO BE "PED" OR NO LOGO.

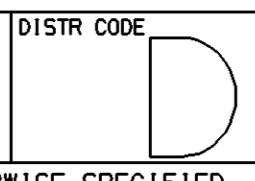
15402138	02	-		101	M2097001 PP IM BLK	1.054	103	109
15324407	03			101	M2097008 PP IM BLU	1.054	103	109
15324004	A		OBSOLETE	103	R0067551 PP-RED	1.105	133	139
12124913	03			102	M2097005 PP IM ORN	0.666	-	-
12092053	09			101	M2097005 PP IM ORN	1.054	103	109
PART NO	REV	N/P	STATUS	TYPE	MATERIAL SPECIFICATION AND COLOR	VOL CM ³	L	M

DIMENSIONAL RANGE (MM)		CHART	E
FROM	TO		
0	> 20	> 30	> 70
20	30	70	100
30	70	100	> 100
TOLERANCE UNLESS OTHERWISE SPECIFIED			
±0.15		±0.2	±0.3
±0.4		±0.5	
ANGULAR TOLERANCE ±2°			

DWG TYPE: PART DRAWING

STYLE: SEE CHART

VOLUME (CM³): SEE CHART

DISTR CODE: 

UNLESS OTHERWISE SPECIFIED
PERFECT FORM REQUIRED FOR FEATURES OF SIZE AT MMC. TRUE POSITION TOLERANCES AND RELATED DATUMS APPLY AT CONDITION OF SIZE INDICATED IN FEATURE CONTROL FRAME. ALL OTHER GEOMETRIC TOLERANCES AND RELATED DATUMS APPLY RFS. SEPARATE TRUE POSITION CALLOUTS MAY BE GAGED SEPARATELY, REGARDLESS OF DATUM REFERENCE.

ALL DIMENSIONS ARE IN MILLIMETERS

THIRD ANGLE PROJECTION

DO NOT SCALE

UNIGRAPHICS

DELPHI
DELPHI PACKARD ELECTRIC SYSTEMS
WARREN, OH

DR	DATE
APVD1 G. MACIAS	03JN97
APVD2 J. BANZO	03JN97
APVD3 O. GALLEGOS	19JN97
APVD4	
APVD5	

SUBSTANCES OF CONCERN AND RECYCLED CONTENT PER DELPHI 10949001

MATERIAL: SEE CHART

DRAWING NAME: TAXI LOCK CPA AXIAL

DRAWING NUMBER: 12124987

SIZE	SCALE	FRAME NO	SHEET NO	STG	REV	N/P
A1	2:1	1 OF 1	1 OF 1	R	04	-