

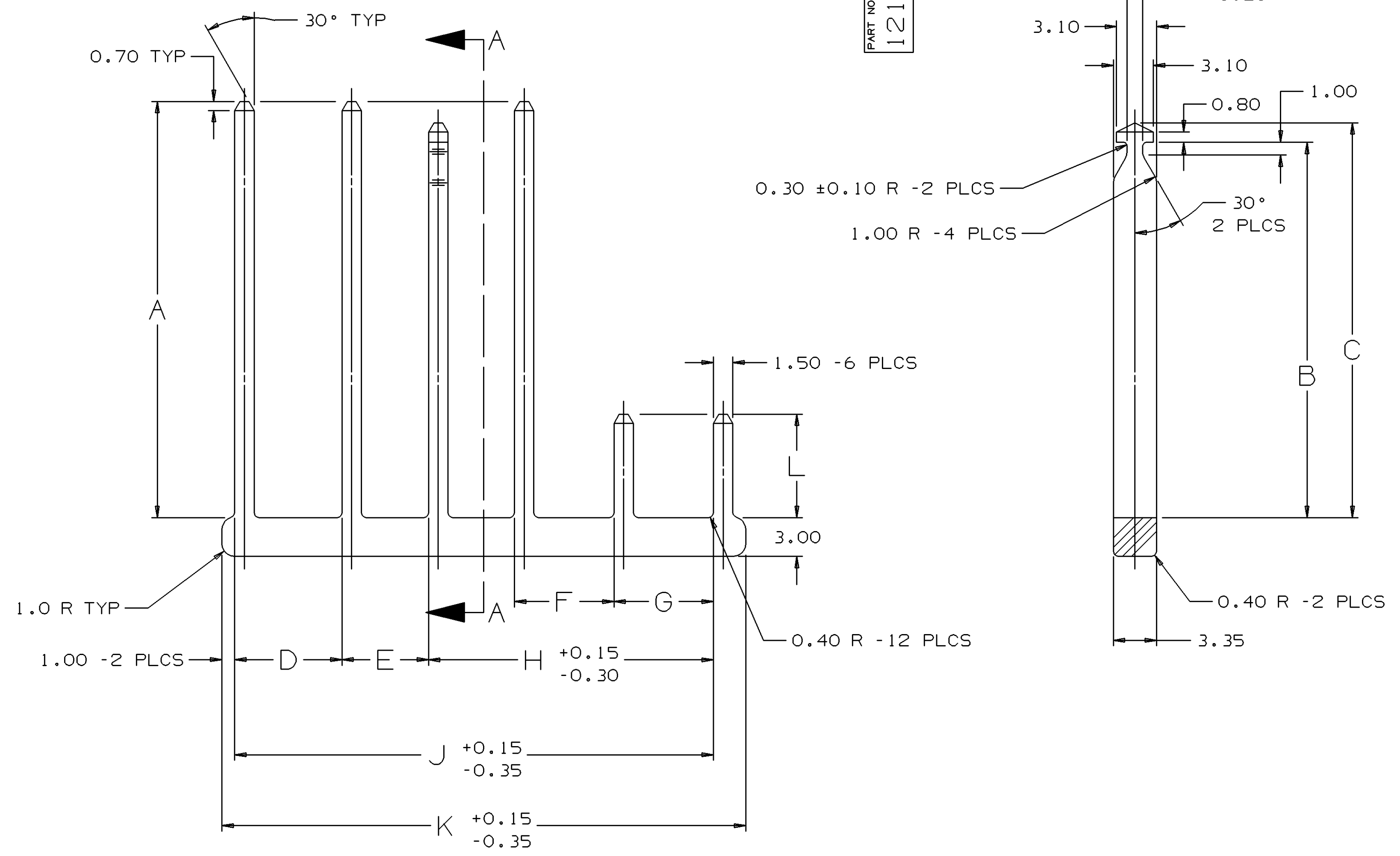
THIS DRAWING AND DESIGN HEREON CONSTITUTES A PROPRIETARY DESIGN OF PACKARD ELECTRIC DIVISION AND IS NOT TO BE DUPLICATED OR REPRODUCED WITHOUT AUTHORITY OF PACKARD ELECTRIC DIVISION

DO NOT SCALE

PART NO  
1212 9812

DATE	SYM	REVISION RECORD	AUTH	DR	CK
20MY92		12066050 - WAS SEPARATE "C" SIZE - REVISION LEVEL			
		REMAINS AT "A"	147967	RKR	
20MY92		12129669 - RELEASED TO REV "A"	920005	RKR	
26DE95		ALL REV - REVISED MAT'L SPEC - NO REV UPDATE REQ'D	168432	MGR	RRS

PACKARD ELECTRIC DIVISION  
GENERAL MOTORS CORPORATION  
WARREN, OHIO



NOTES

2. SECONDARY LOCK FOR (SEE CHART).

PART NO  
1212 9812

**Uigraphis II METRIC**  
THIRD ANGLE PROJECTION  
DIMENSIONS ARE IN MILLIMETERS UNLESS OTHERWISE SPECIFIED  
TOLERANCE UNLESS OTHERWISE SPECIFIED  
DECIMAL: ANGULAR ± 2°

CODE NO	QC	ONE PLACE ± 0.3
6900	-C-4004	TWO PLACE ± 0.15
DWG DATE	18MR92	DR R.K. RACZ 20MY92
SCALE	4:1	CK R.K. RACZ 20MY92
REFERENCE NO		APPR D. PFAFFINGER 04JN92
		APPR J.A. WILSON 05JN92

PART NO	REV	STATUS	MATERIAL SPEC & COLOR	A	B	C	D	E	F	G	H	J	K	L	MATING PART
12129669	A		RO100185 PBT NAT	39.90	36.80	38.30	6.70	6.70	9.35	7.25	23.30	36.70	40.20	12.10	12129674
12066050	A		RO100185 PBT NAT	32.20	29.05	30.55	8.30	6.70	7.70	7.70	22.05	37.05	40.55	8.00	12065850

MATERIAL SPEC SEE CHART

NAME TPA F M/P MXD

PART NUMBER 1212 9812 SIZE A2