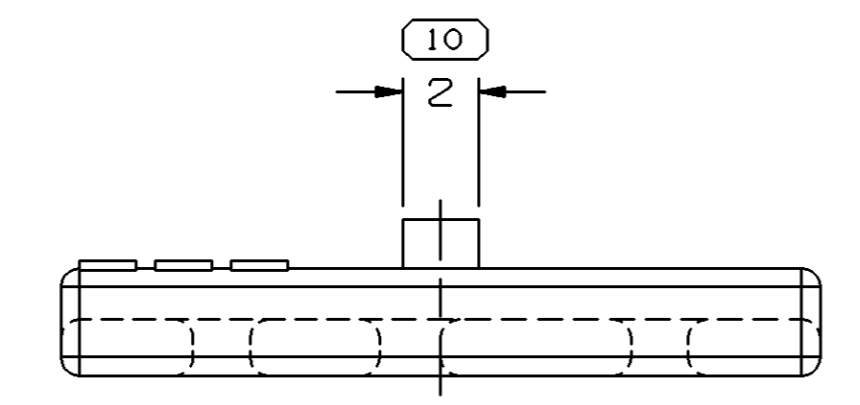
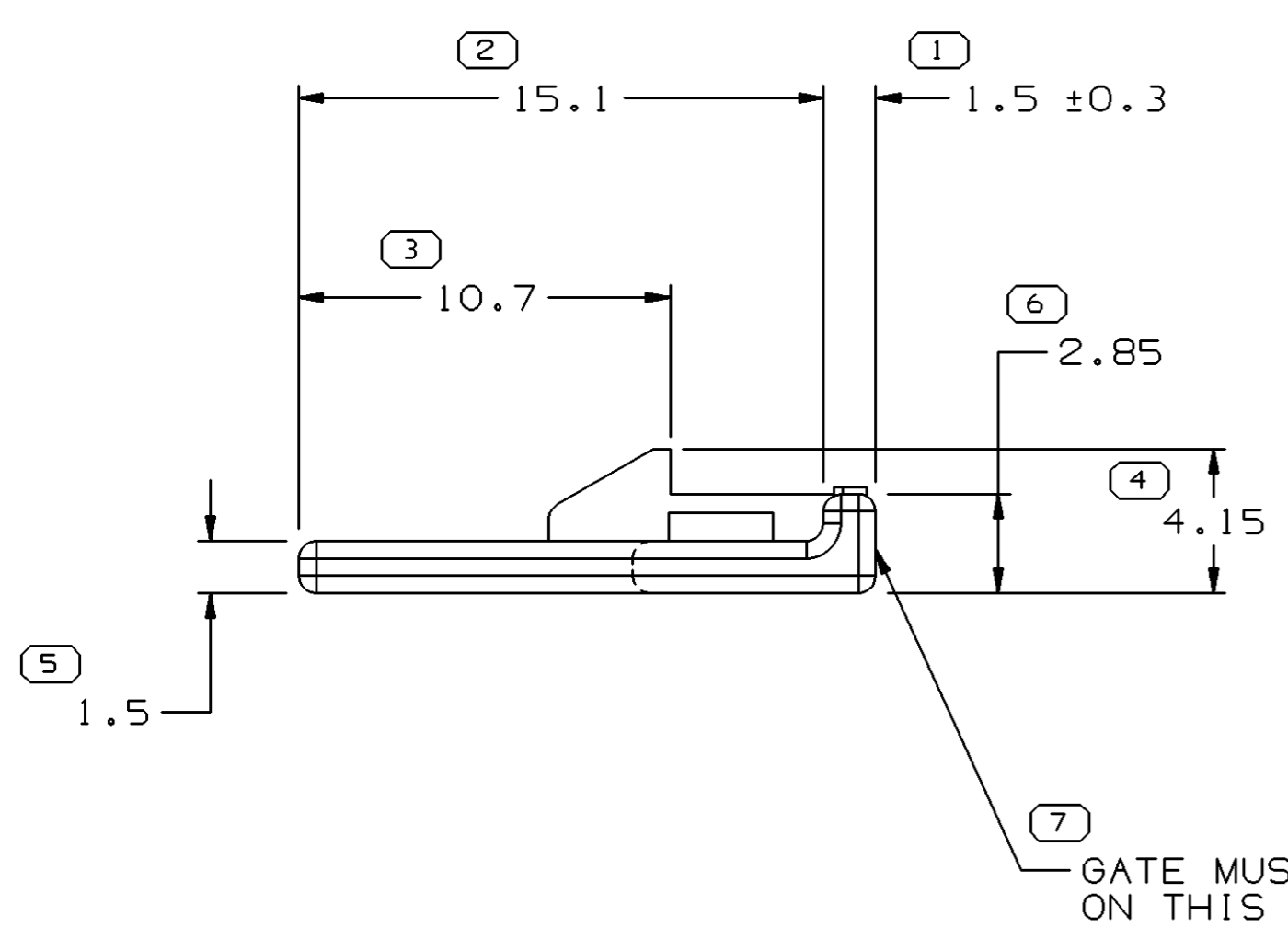
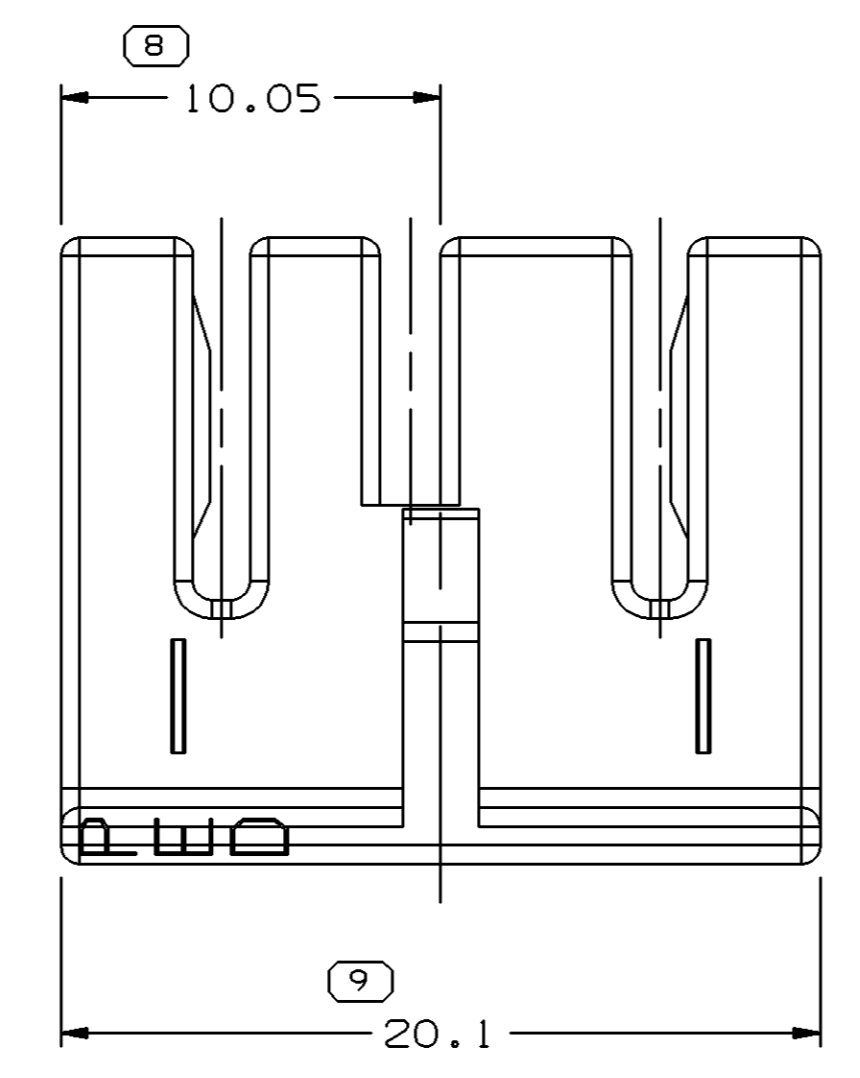
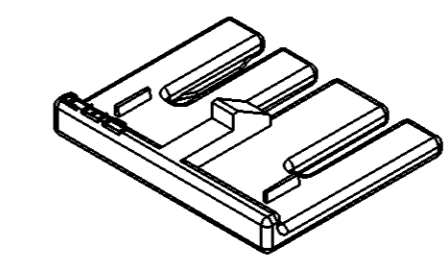


SYMBOL DEFINITION		MISSING SYMBOLS
A DIMENSION WITHOUT AN INSPECTION REPORT SYMBOL () DOES NOT REQUIRE INSPECTION. IT MAY BE CONTROLLED ON THE INDIVIDUAL COMPONENT DRAWING.	TOTAL NO OF INSPECTIONS REQUIRED	NO MISSING SYMBOL NUMBER
	10	
	LAST NO. USED	10

DWG STATUS					ZONE	REVISION HISTORY	AUTH	DR	APVD 1	APVD 2
DATE	STG	REV	N/P	CHG						
29MY98	R	A	-	-		RELEASED	980005	MP	GMC	OG
15SE03	R	02	-	-		REVISED NOTES AND MATERIAL SPEC WAS R0064633	246015	TLD	TLD	TM



(7) GATE MUST NOT BE LOCATED ON THIS SURFACE

NOTES

- UNLESS OTHERWISE SPECIFIED AND/OR INDICATED: DIMENSIONS ARE TO FACE OF VIEW SHOWN AND AUTOMATICALLY ROUNDED BY COMPUTER FOR INSPECTION (SEE MATH MODEL FOR PRECISE DIMENSIONS). FOR ALL OTHER DIMENSIONS NOT SHOWN BUT REQUIRED FOR TOOL BUILD, SEE MATH MODEL FOR PRECISE TOOL PATH DATA.
- MATERIAL RECYCLING CODE PER ISO 11469. (1.5)X(0.2) RAISED CHARACTERS AS SHOWN TO BE LOCATED ON ANY EXTERIOR SURFACE. OPTIONAL CONSTRUCTION TO BE NO MATERIAL RECYCLING CODE.
- THIS PART IS NOT CONTROLLED FOR AUTOMATIC FEEDING.
- MATING COMPONENTS OR EQUIVALENT: CONNECTOR 12052856
- (1.5)X(0.2) RAISED DELPHI CORPORATE BRAND TO BE LOCATED ON ANY EXTERIOR SURFACE, PREFERABLY VISIBLE AT FINAL ASSEMBLY. OPTIONAL CONSTRUCTION TO BE "PED" OR NO LOGO.

(8) PROCESS SENSITIVE DIMENSION	
DIMENSIONS ENCLOSED IN () INDICATE REFERENCE DIMENSIONS AND NO TOLERANCE LIMITS ARE ESTABLISHED	
DIMENSIONAL RANGE (MM)	CHART
FROM 0 TO 20	> 30
20 TO 30	> 70
30 TO 70	> 100
TOLERANCE UNLESS OTHERWISE SPECIFIED	
±0.15	±0.2
±0.3	±0.4
±0.5	±0.5
ANGULAR TOLERANCE ±2°	

DWG TYPE		PART DRAWING	
STYLE			
VOLUME (CM ³)	0.496	DISTR CODE	D
ROUTING	6901		
UNLESS OTHERWISE SPECIFIED			
THIS DOCUMENT IS IN ACCORDANCE WITH ASME Y14.5M-1994 AS AMENDED BY THE GM GLOBAL DIMENSIONING AND TOLERANCING ADDENDUM-2001. SEPARATE PATTERNS OF FEATURES MAY BE GAGED SEPARATELY REGARDLESS OF DATUM REFERENCES.			
ALL DIMENSIONS ARE IN MILLIMETERS			
THIRD ANGLE PROJECTION			
DO NOT SCALE		UNIGRAPHICS	
USE MATH DATA			

DELPHI						
DELPHI PACKARD ELECTRIC SYSTEMS WARREN, OH						
DR	DATE					
APVD1 PADILLA	29MY98					
APVD2 MACIAS	29MY98					
APVD3 O.GALLEGOS	03JN98					
APVD4						
APVD5						
SUBSTANCES OF CONCERN AND RECYCLED CONTENT PER DELPHI 10949001						
MATERIAL M3592021 PA66 HS 1M GRN DK						
DRAWING NAME LOCK TPA M/P 280 4 GRN DK						
DRAWING NUMBER 15324456						
SIZE A1	SCALE 5:1	FRAME NO 1 OF 1	SHEET NO 1 OF 1	STG R	REV 02	N/P -