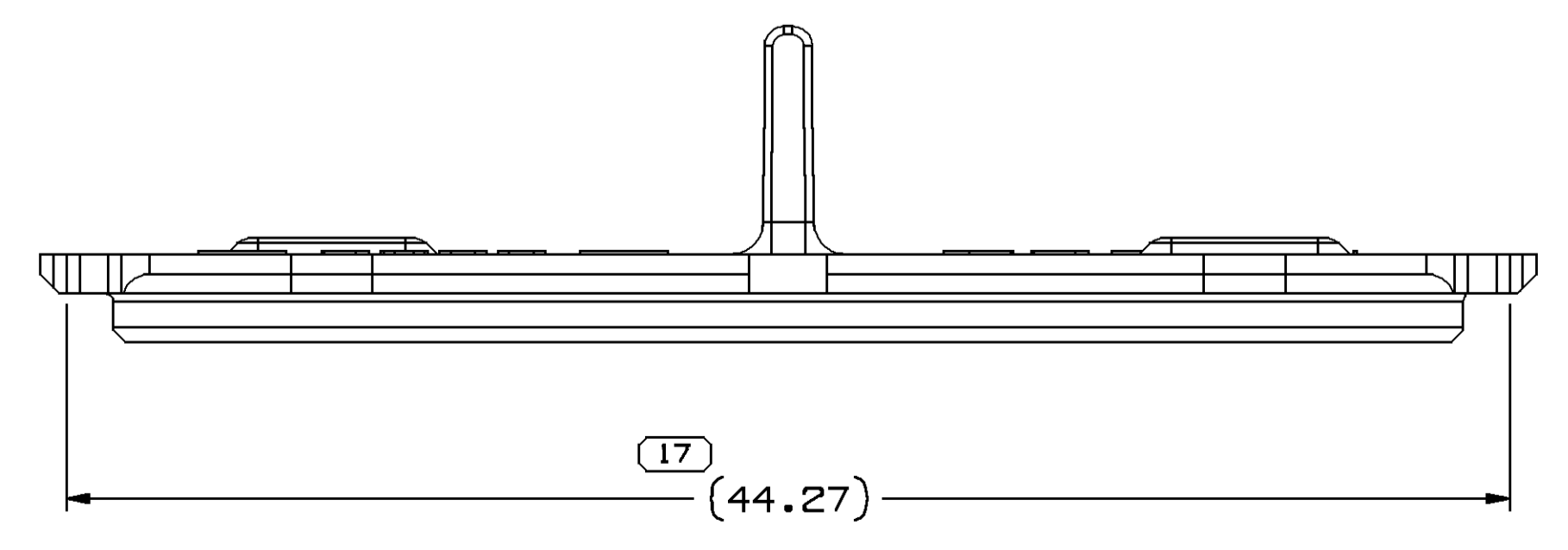
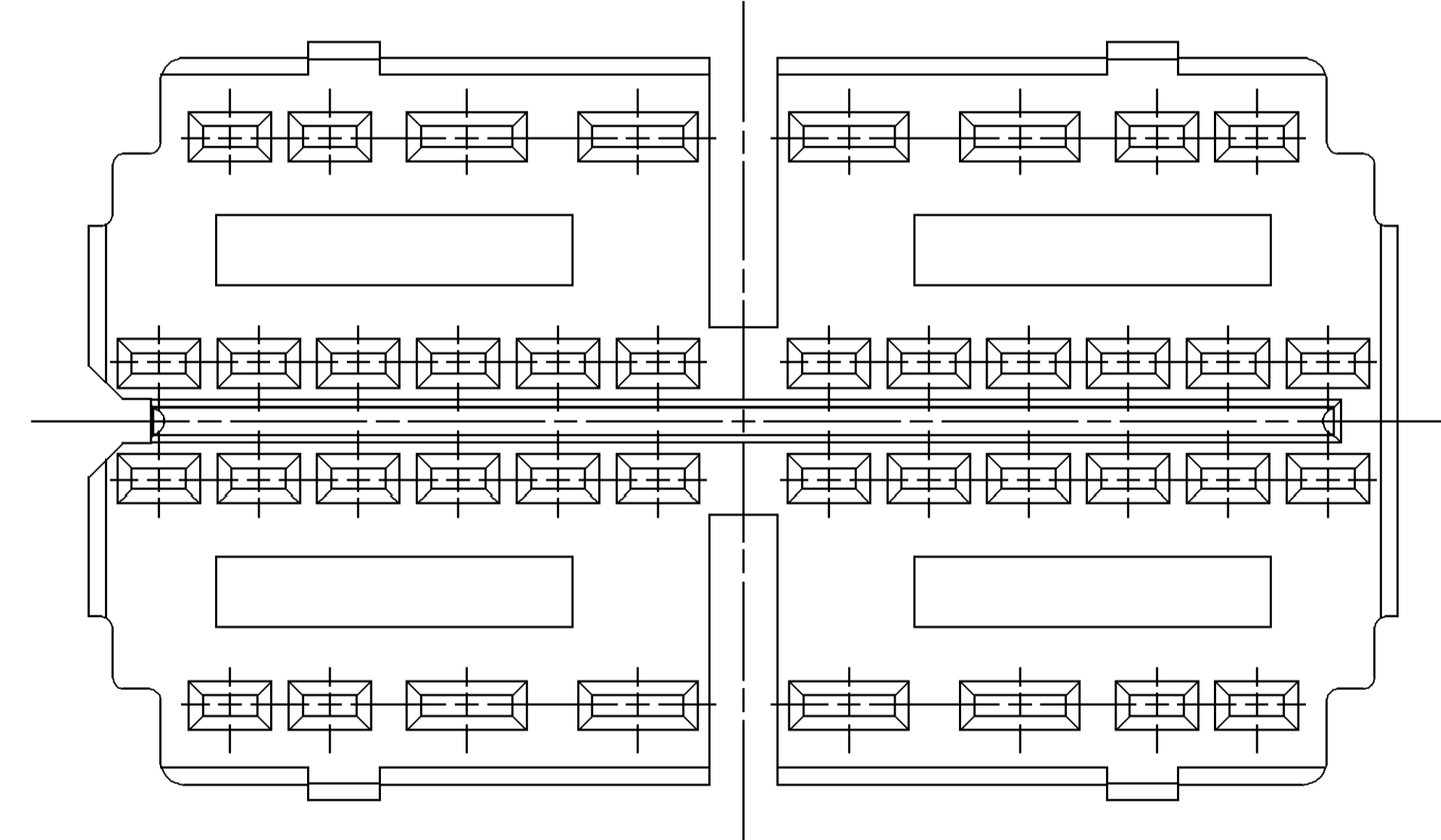
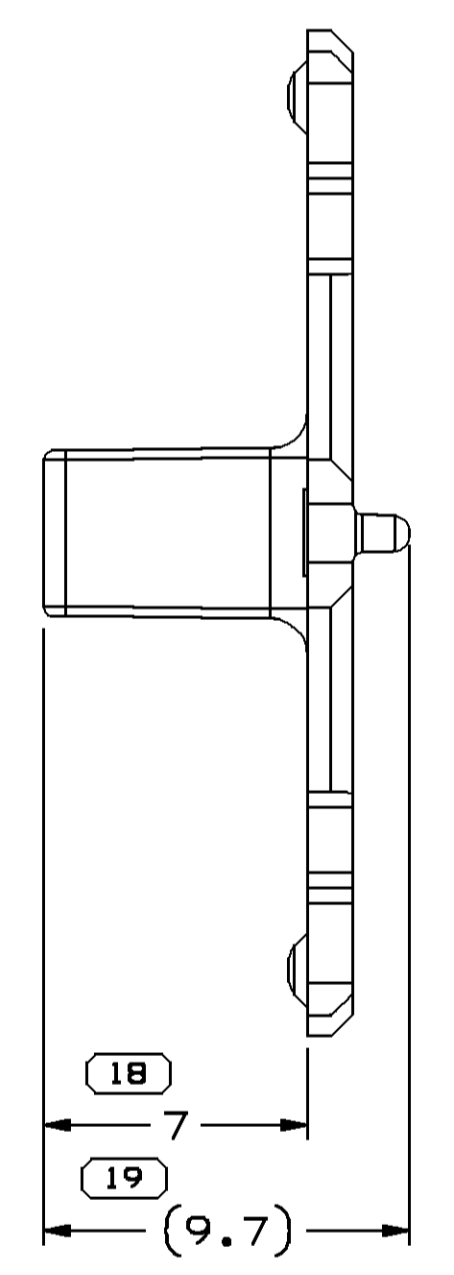
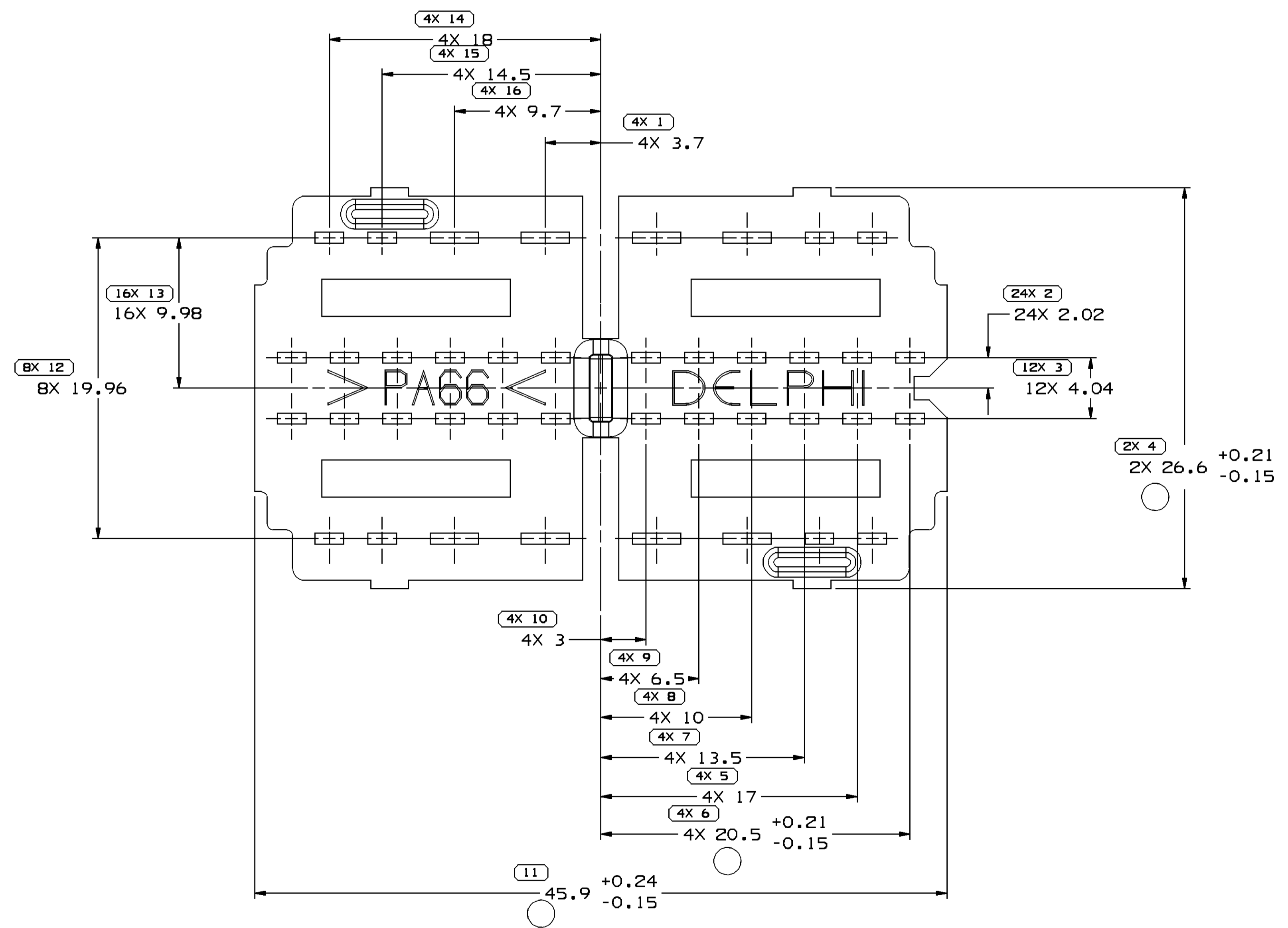
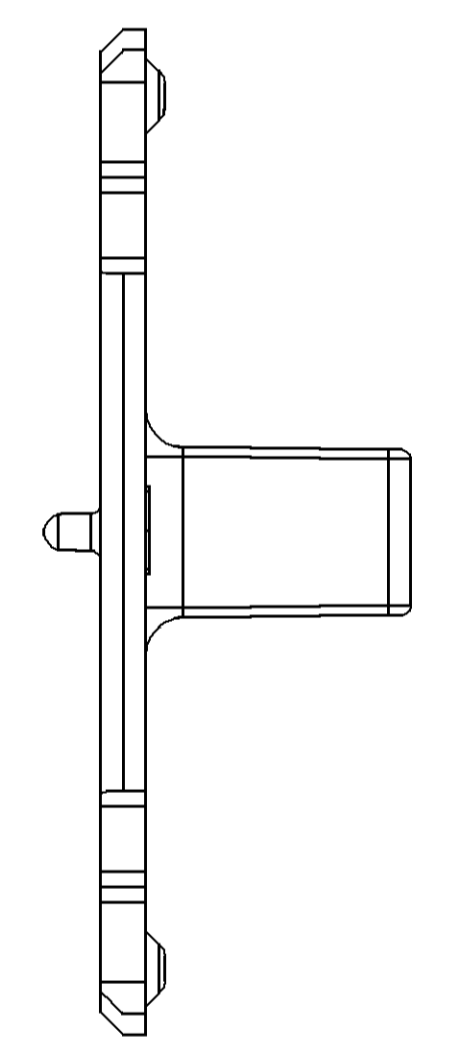
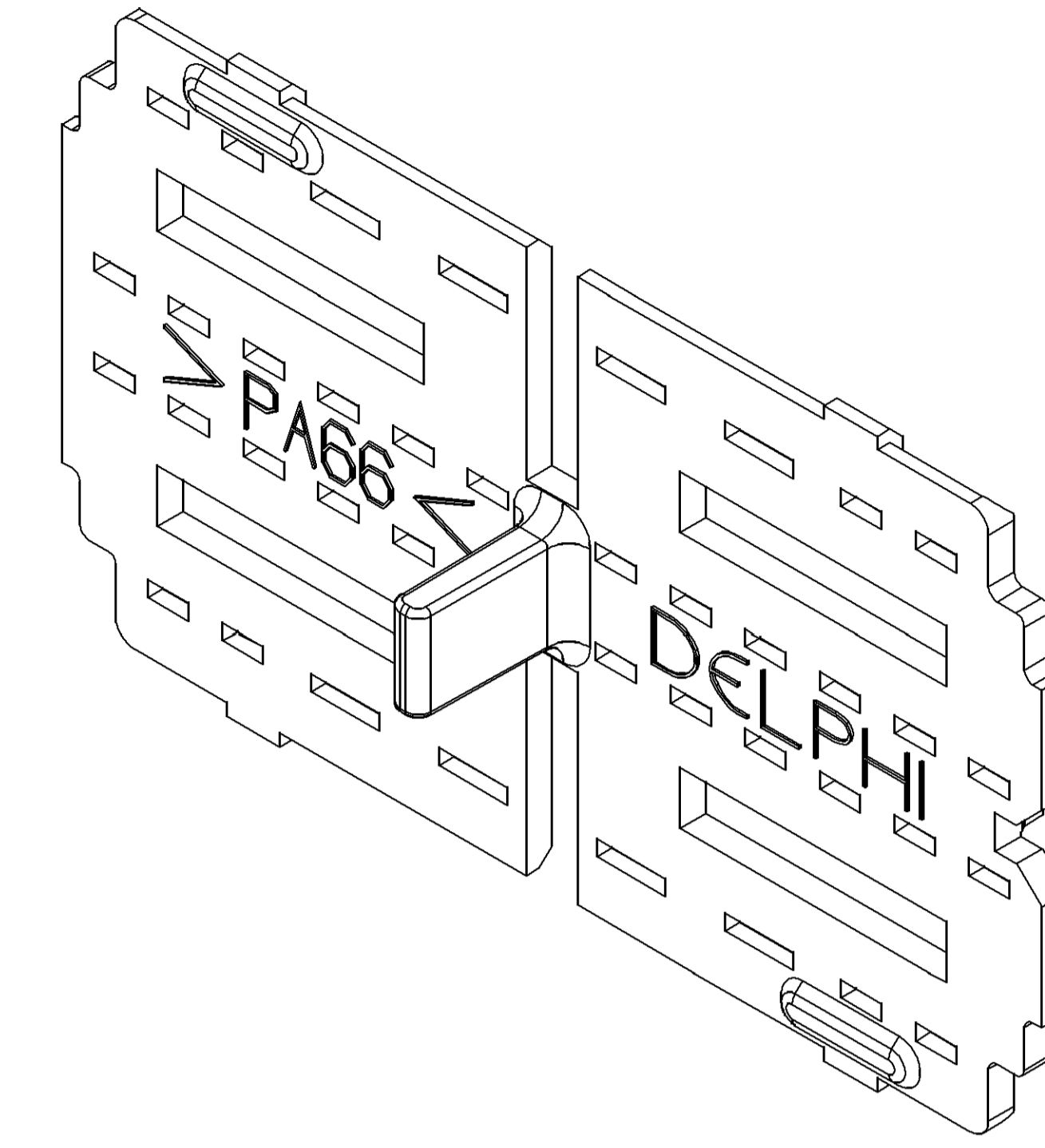
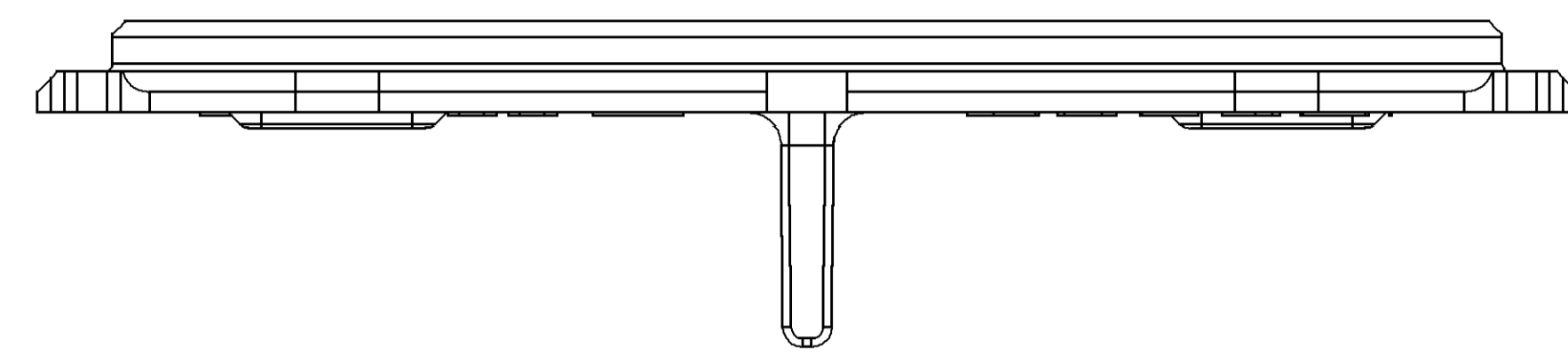


SYMBOL DEFINITION		TOTAL NO OF INSPECTIONS REQUIRED	NO MISSING SYMBOL NUMBER
A DIMENSION WITHOUT AN INSPECTION REPORT SYMBOL DOES NOT REQUIRE INSPECTION. IT MAY BE CONTROLLED ON THE INDIVIDUAL COMPONENT DRAWING.		106	
	LAST NO. USED	19	

DWG STATUS				REVISION HISTORY				AUTH		DR		AP/VD	
DATE	STG	REV	N/P	CHG	ZONE								
26AU02	R	01	-	-		RELEASED		229871	CJC	CJC	LBW		
30SE02	R	01	AA	-		UPDATED DIMENSION QUANTITIES		231374	CJC	CJC	MP		
19AP04	R	01	AB	-		15475869 MATING CONNECTOR WAS 153592B4		254148	TLD	TLD	MP		
21FE07	R	01	AC	-		2X 26.6 +0.21/-0.15 WAS 2X 26.6 ±0.15, 4X 20.5 +0.21/-0.15 WAS 4X 20.5 ± 0.15 AND 45.9 +0.24/-0.15 WAS 45.9 ±0.15		400582	MM	MM	MP		



- NOTES:
- UNLESS OTHERWISE SPECIFIED AND/OR INDICATED: DIMENSIONS ARE TO FACE OF VIEW SHOWN AND AUTOMATICALLY ROUNDED BY COMPUTER FOR INSPECTION. (SEE MATH MODEL FOR PRECISE DIMENSION) FOR ALL OTHER DIMENSIONS NOT SHOWN BUT REQUIRED FOR TOOL BUILD, SEE MATH MODEL FOR PRECISE TOOL PATH DATA.
  - MATING COMPONENTS: CONNECTOR 15475869 OR EQUIVALENT
  - THIS PART IS NOT CONTROLLED FOR AUTOMATIC FEEDING.
  - SLOTS TO ACCEPT GT MALE BLADES

Dwg TYPE <b>PART DRAWING</b>																			
STYLE																			
VOLUME 10/11	DISTR CODE <b>D</b>																		
1,140																			
UNLESS OTHERWISE SPECIFIED THIS DOCUMENT IS IN ACCORDANCE WITH ASME Y14.5M-1994 AS MODIFIED BY THE 2003 DIMENSIONING AND TOLERANCE PRACTICE (ASME Y14.5M-2003). ALL DIMENSIONS AND RELATED DATUMS APPLY UNLESS OTHERWISE SPECIFIED. DIMENSIONS ARE TO FACE UNLESS OTHERWISE SPECIFIED. DIMENSIONS ARE IN MILLIMETERS UNLESS OTHERWISE SPECIFIED.																			
<table border="1"> <thead> <tr> <th>DIMENSIONAL RANGE (MM)</th> <th>TOLERANCE UNLESS OTHERWISE SPECIFIED</th> </tr> </thead> <tbody> <tr> <td>FROM &gt; 0 TO &gt; 30</td> <td>±0.15</td> </tr> <tr> <td>&gt; 30 TO &gt; 70</td> <td>±0.2</td> </tr> <tr> <td>&gt; 70 TO &gt; 100</td> <td>±0.3</td> </tr> <tr> <td>&gt; 100 TO &gt; 150</td> <td>±0.4</td> </tr> <tr> <td>&gt; 150 TO &gt; 200</td> <td>±0.5</td> </tr> <tr> <td>&gt; 200 TO &gt; 250</td> <td>±0.6</td> </tr> <tr> <td>&gt; 250 TO &gt; 300</td> <td>±0.8</td> </tr> <tr> <td>&gt; 300 TO &gt; 400</td> <td>±1.0</td> </tr> </tbody> </table>		DIMENSIONAL RANGE (MM)	TOLERANCE UNLESS OTHERWISE SPECIFIED	FROM > 0 TO > 30	±0.15	> 30 TO > 70	±0.2	> 70 TO > 100	±0.3	> 100 TO > 150	±0.4	> 150 TO > 200	±0.5	> 200 TO > 250	±0.6	> 250 TO > 300	±0.8	> 300 TO > 400	±1.0
DIMENSIONAL RANGE (MM)	TOLERANCE UNLESS OTHERWISE SPECIFIED																		
FROM > 0 TO > 30	±0.15																		
> 30 TO > 70	±0.2																		
> 70 TO > 100	±0.3																		
> 100 TO > 150	±0.4																		
> 150 TO > 200	±0.5																		
> 200 TO > 250	±0.6																		
> 250 TO > 300	±0.8																		
> 300 TO > 400	±1.0																		
<table border="1"> <thead> <tr> <th>ANGLE</th> <th>TOLERANCE</th> </tr> </thead> <tbody> <tr> <td>±1</td> <td>±1.2</td> </tr> <tr> <td>±2</td> <td>±2.5</td> </tr> </tbody> </table>		ANGLE	TOLERANCE	±1	±1.2	±2	±2.5												
ANGLE	TOLERANCE																		
±1	±1.2																		
±2	±2.5																		
<table border="1"> <thead> <tr> <th>THIRD ANGLE PROJECTION</th> <th>DO NOT SCALE</th> <th>USE MATH DATA</th> </tr> </thead> <tbody> <tr> <td></td> <td></td> <td></td> </tr> </tbody> </table>		THIRD ANGLE PROJECTION	DO NOT SCALE	USE MATH DATA															
THIRD ANGLE PROJECTION	DO NOT SCALE	USE MATH DATA																	

**DELPHI**  
DELPHI PACKARD ELECTRICAL/ELECTRONIC ARCHITECTURE  
WARREN, OH

DR	DATE
CRAIG J. COGGINS	26AU02
CRAIG J. COGGINS	26AU02
CRAIG J. COGGINS	26AU02
LARRY B. WALTERS	26AU02

UNLESS OTHERWISE SPECIFIED  
SUBSTANCES OF CONCERN AND RECYCLED CONTENT PER DELPHI 10949001

WATERLOO  
M3592008 PA66-HS 1M BLU

DRAWING NAME  
**MOUN STABILIZER**

DRAWING NUMBER  
**15445756**

SIZE	SCALE	FRAME NO	SHEET NO	REV	N/P
A0	5:1	1	1	1	01

Date: 21-Feb-07 Time: 13:31