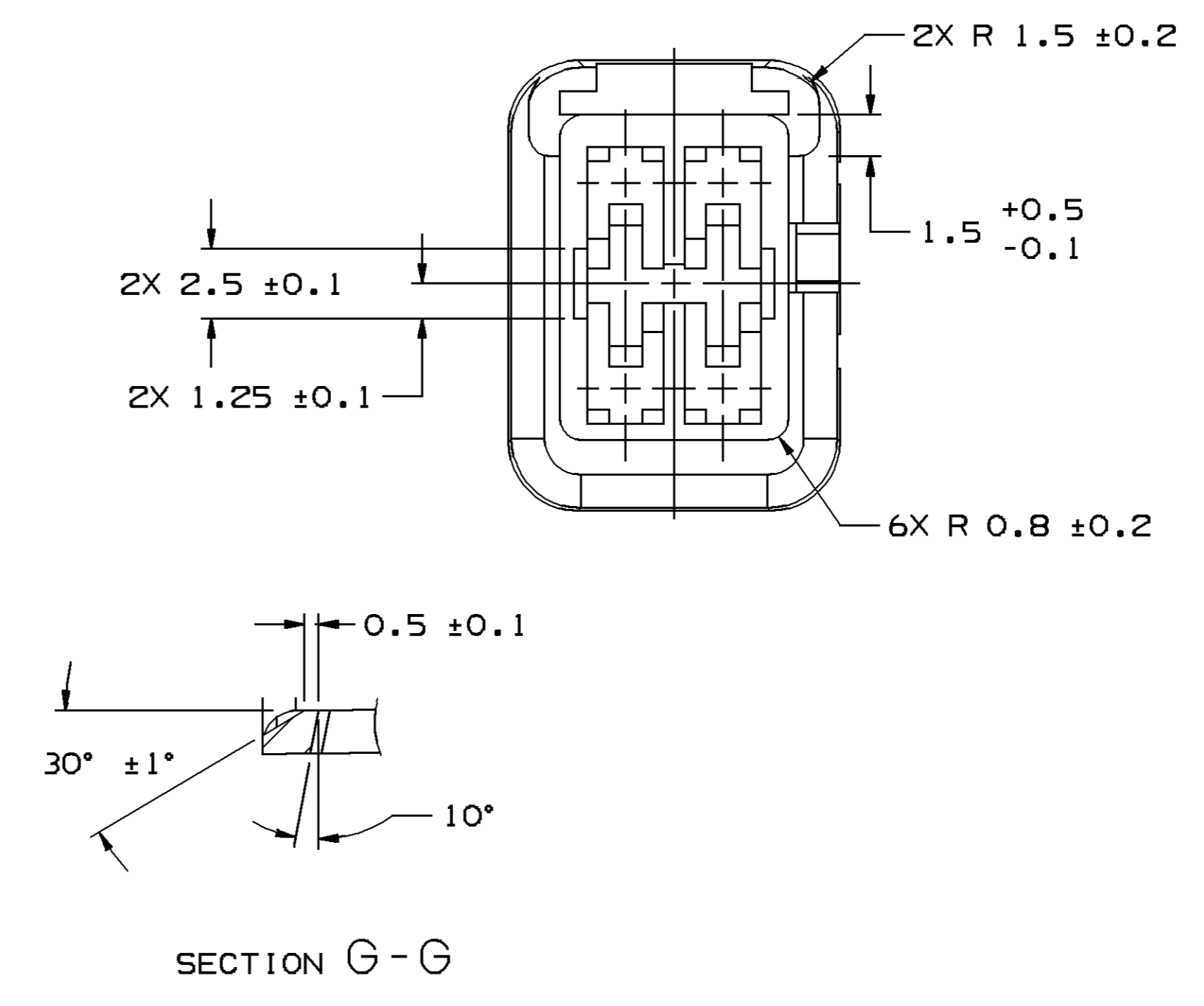
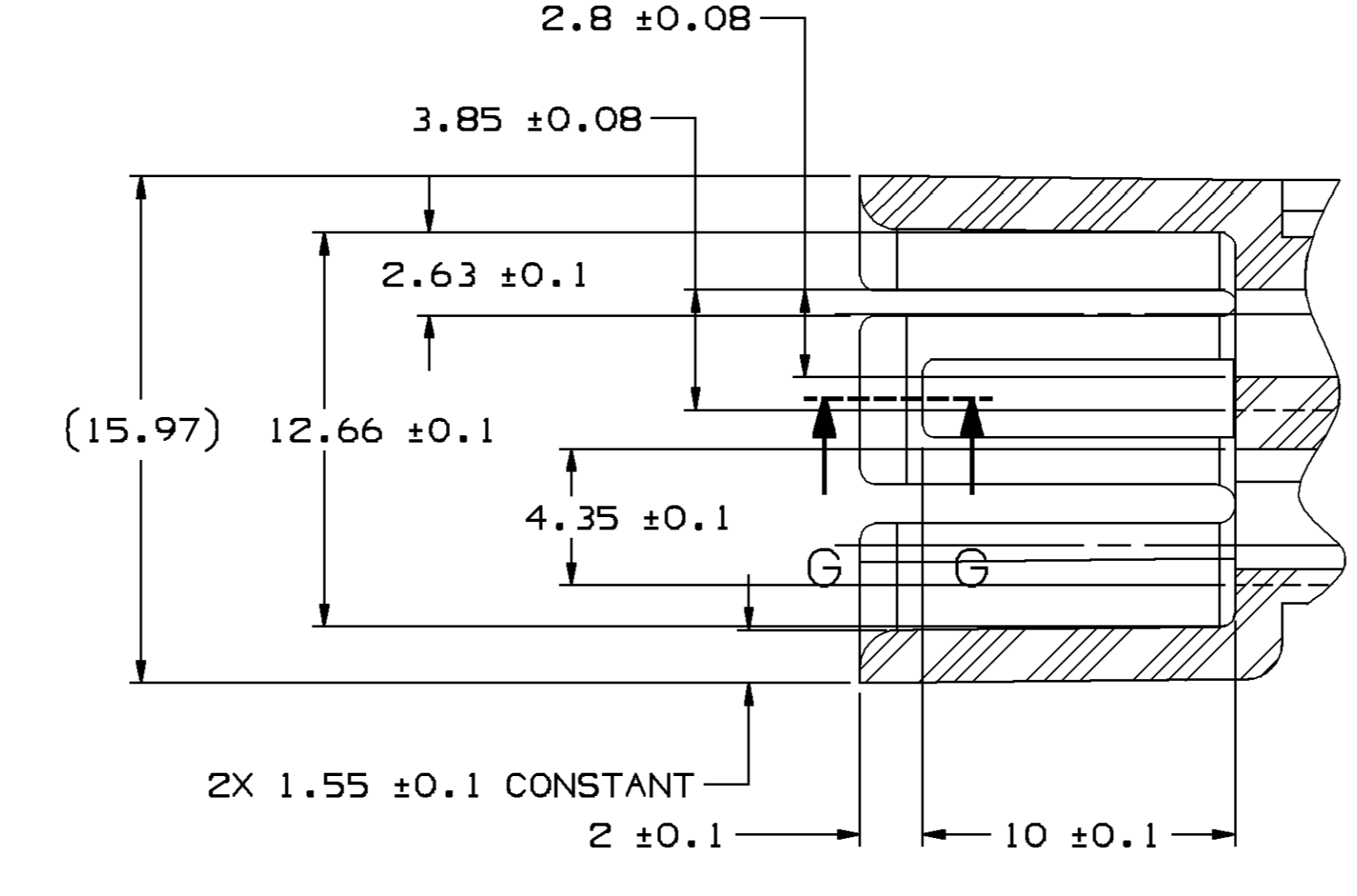
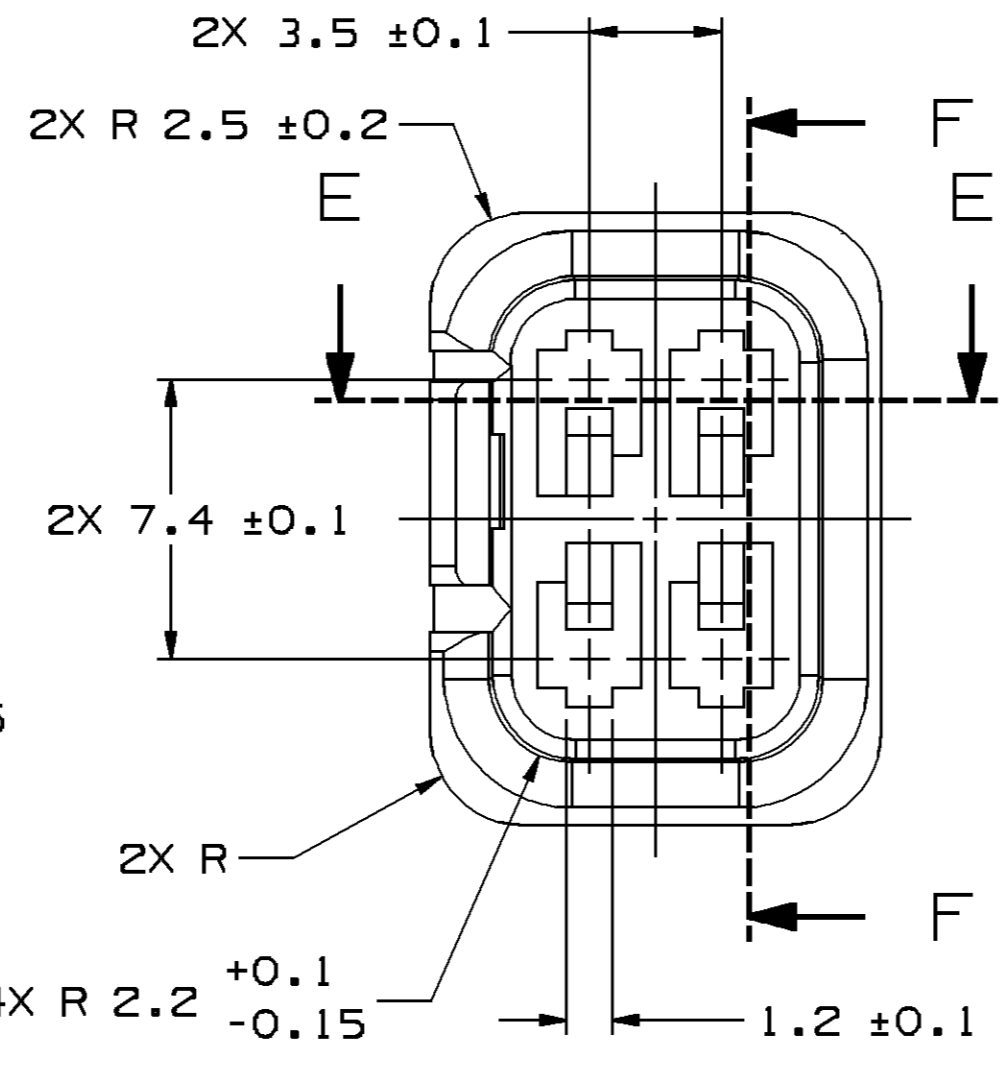
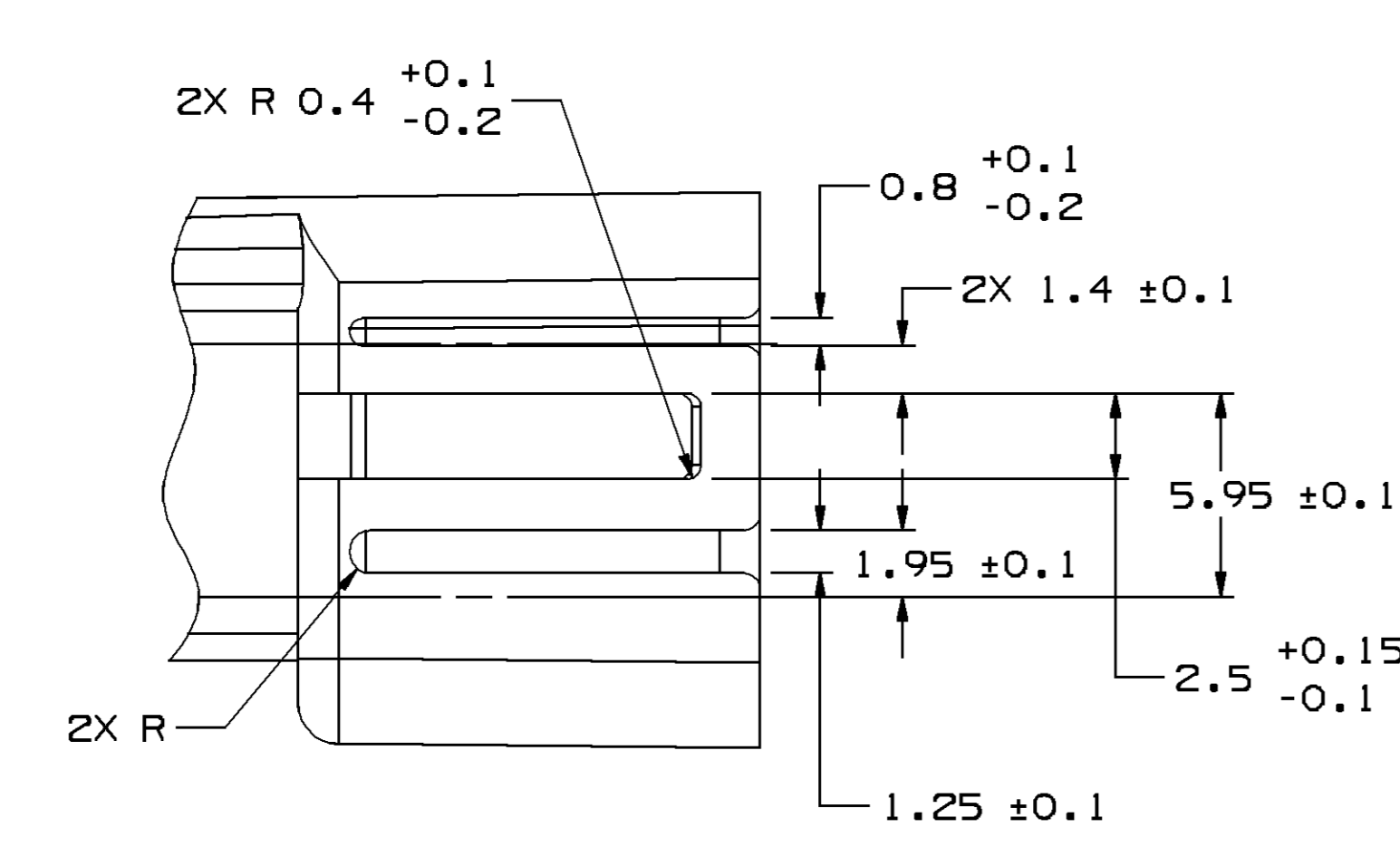
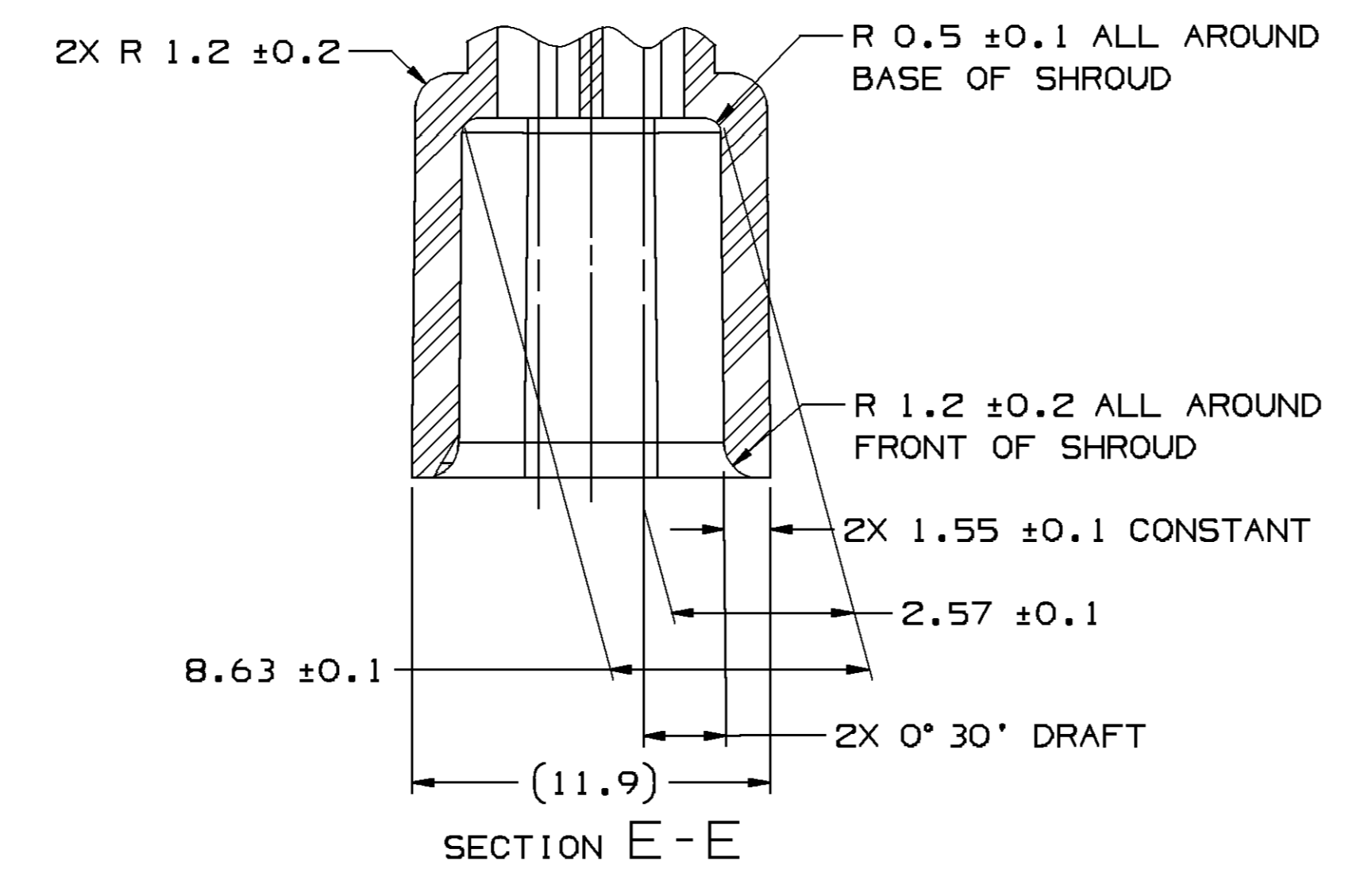
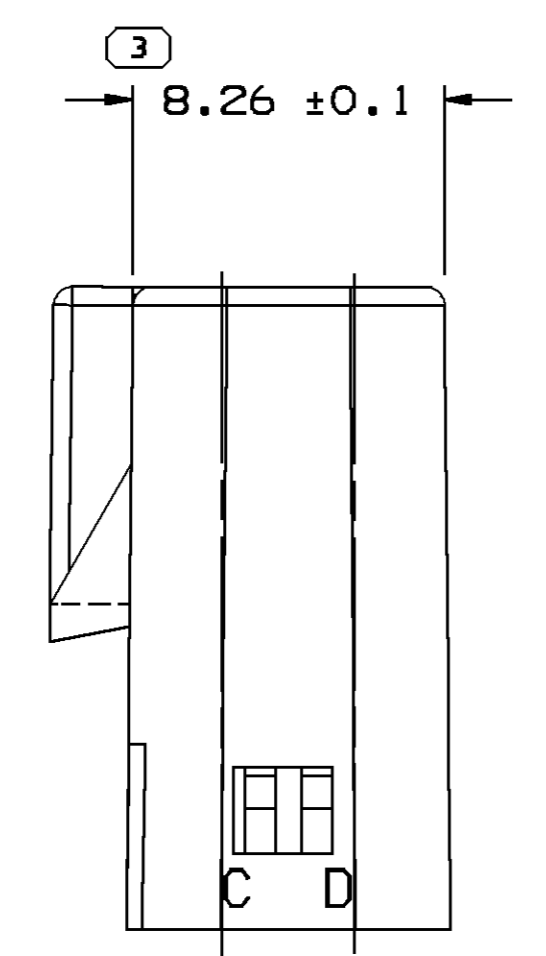
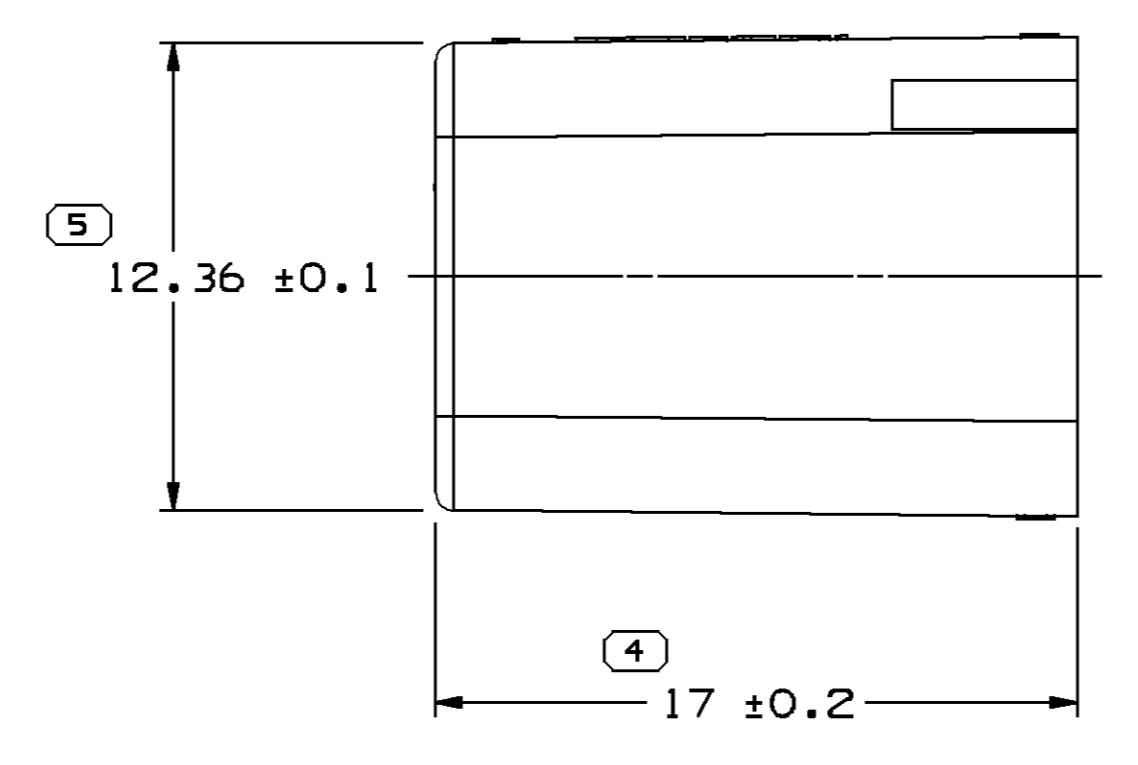
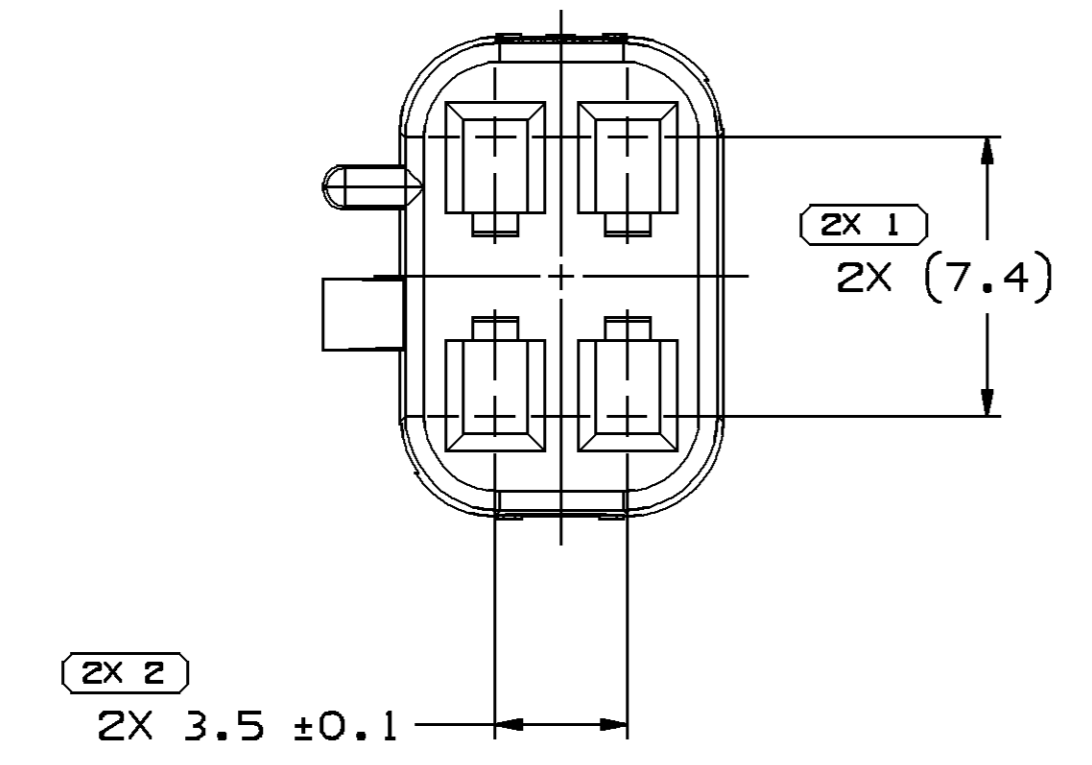
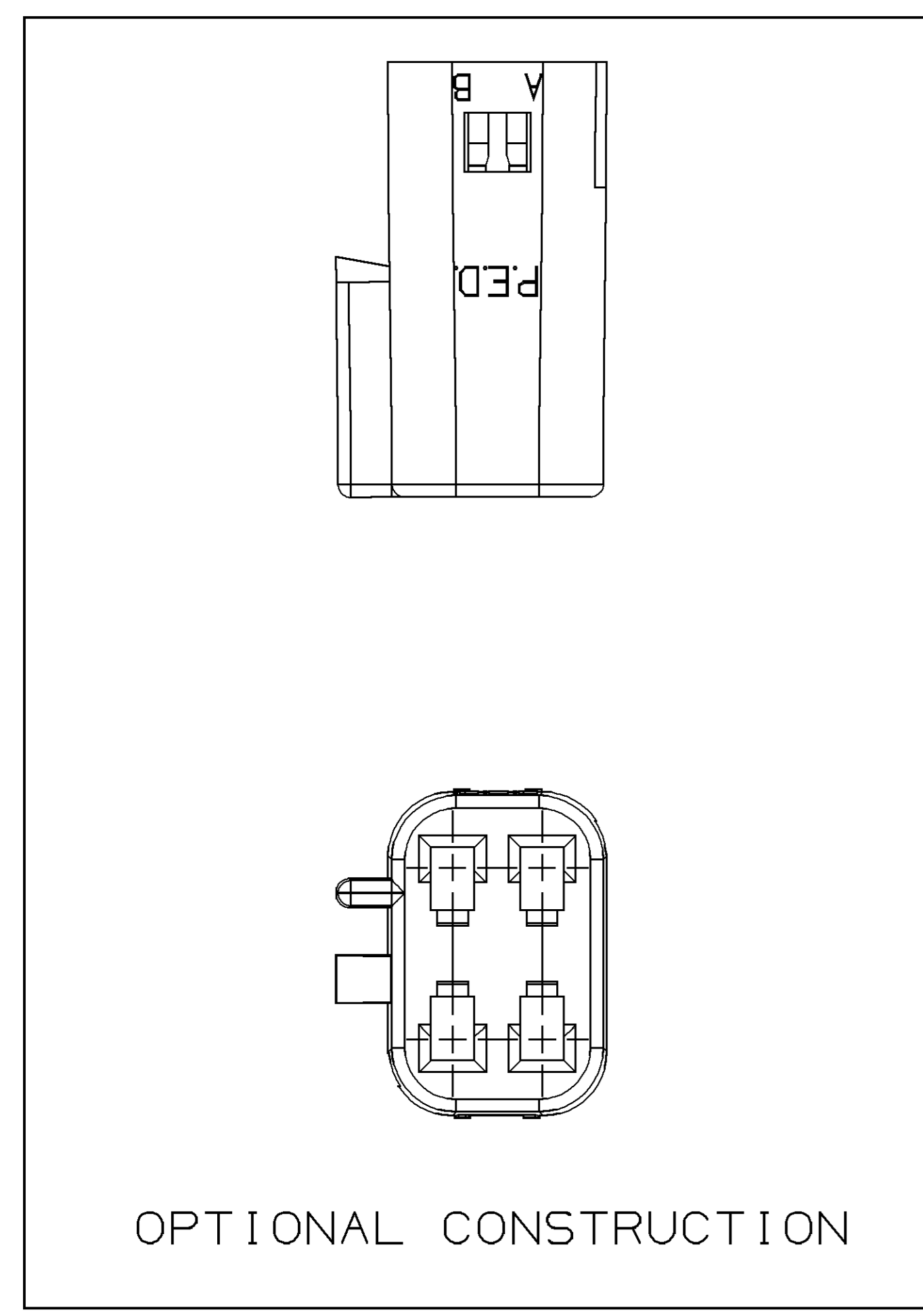


SYMBOL DEFINITION		MISSING SYMBOLS	
A DIMENSION WITHOUT AN INSPECTION REPORT SYMBOL DOES NOT REQUIRE INSPECTION. IT MAY BE CONTROLLED ON THE INDIVIDUAL COMPONENT DRAWING.	TOTAL NO OF INSPECTIONS REQUIRED	NO MISSING SYMBOL NUMBER	
	7		
	LAST NO. USED		
	5		

DWG STATUS				REVISION HISTORY				AUTH		DR		AP/D	
DATE	STG	REV	N/P	CHG	ZONE								
18APO2	R	01	-	-		CREATED PDM, ADDED OPTIONAL LOGO & MAT'L RECYCLING CODE NOTES AND REVISED MAT'L SPEC	223877	JGR	EDV	BMC			
21AUG2	R	02	-	-		UPDATED PDM ATTRIBUTES	229398	JGR	EDV	BMC			
04SE02	R	03	-	-		ALL ACTIVE PARTS - SECONDARY TERMINAL LOCK NOTE WAS 12047664	230019	RVP	RVP	BMC			
03MR06	R	04	-	-		12066036 - OBSOLETE	277982	RMG	JAA	BD6			
06APO6	R	05	-	-		12089248 - MAT'L SPEC WAS M3592002	278998	SPS	JAA	GG1			

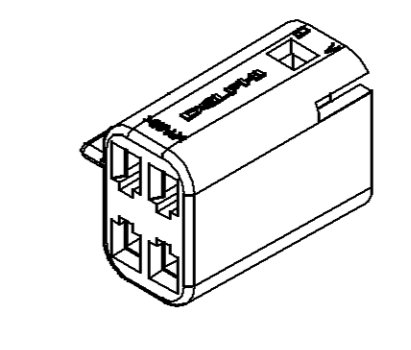


MATING CONNECTOR INFORMATION



NOTES

- UNLESS OTHERWISE SPECIFIED AND/OR INDICATED: DIMENSIONS ARE TO FACE OF VIEW SHOWN AND AUTOMATICALLY ROUNDED BY COMPUTER FOR INSPECTION (SEE MATH MODEL FOR PRECISE DIMENSIONS). FOR ALL OTHER DIMENSIONS NOT SHOWN BUT REQUIRED FOR TOOL BUILD, SEE MATH MODEL FOR PRECISE TOOL PATH DATA.
- MATERIAL RECYCLING CODE PER ISO 11469. (2.3)X(0.1) CHARACTERS AS SHOWN TO BE LOCATED ON ANY EXTERIOR SURFACE. OPTIONAL CONSTRUCTION TO BE NO MATERIAL RECYCLING CODE.
- THIS PART IS NOT CONTROLLED FOR AUTOMATIC FEEDING.
- REFERENCE MATING COMPONENTS OR EQUIVALENT: CONNECTOR - SEE CHART TERMINAL - 12047883
- THIS PART ACCEPTS THE FOLLOWING COMPONENTS OR EQUIVALENT: SECONDARY LOCK - 15324070 (2 PLCS.)
- THIS CONNECTOR WILL PASS THRU A Ø 14 MIN. HOLE.
- (2.3)X(0.1) DELPHI CORPORATE BRAND TO BE LOCATED ON ANY EXTERIOR SURFACE, PREFERABLY VISIBLE AT FINAL ASSEMBLY. OPTIONAL CONSTRUCTION TO BE "PED" OR NO LOGO.
- THIS CONNECTOR LIMITED TO A MAX. INSULATION CRIMP OF 2.3 HIGH X 2.7 WIDE.



PART NO	REV	N/P	STATUS	MATERIAL SPECIFICATION AND COLOR	MATING CONNECTOR	VOLUME CM ³
12089248	02	-	-	M3592024 PA66 HS IM CRM	12089247	1.007
12066036	A1	-	OBSOLETE	M-520-003 NYLON 66 - WHITE	12066037	-
12047785	A3	-	-	M3592001 PA66 HS IM BLK	12047786	1.007

DIMENSIONAL RANGE (MM)		TOLERANCE UNLESS OTHERWISE SPECIFIED	
FROM	TO	±	ANGULAR TOLERANCE 2°
> 0	> 30	±0.3	
> 30	> 70	±0.4	
> 70	> 100	±0.5	
> 100	> 150	±0.6	
> 150	> 200	±0.8	
> 200	> 250	±1.0	
> 250	> 300	±1.2	
> 300	> 400	±1.5	

PART DRAWING	
STYLE	D
VOLUME (CM ³)	SEE CHART
DISTR CODE	D
UNLESS OTHERWISE SPECIFIED	
THIS DOCUMENT IS IN ACCORDANCE WITH ASME Y14.9M-1994 AS MODIFIED BY THE IN CHARGE, DIMENSIONING AND TOLERANCE MANUAL (PT). ALL DIMENSIONS UNLESS OTHERWISE SPECIFIED SHALL BE PERFECT FORM AND FIT UNLESS OTHERWISE SPECIFIED. DIMENSIONS NOT SHOWN SHALL BE RELATIONSHIP BETWEEN FEATURES IS ESTABLISHED BY ORIENTATION OR LOCATION TOLERANCES. SURFACE FINISH CALLOUTS MAY BE SHOWN SEPARATELY, UNLESS OTHERWISE SPECIFIED.	
ALL DIMENSIONS ARE IN MILLIMETERS	
THIRD ANGLE PROJECTION	DO NOT SCALE
USE MATH DATA	UNIMPHIS

DELPHI
DELPHI PACKARD ELECTRIC SYSTEMS
WREN, OH

DR	DATE
AP/D1 J.GAVALDON	18APO2
AP/D2 E.VAZQUEZ	18APO2
AP/D3 G.MACIAS	19APO2
AP/D4	
AP/D5	

MATERIAL: SUBSTANCES OF CONCERN AND RECYCLED CONTENT PER DELPHI 10949001
SEE CHART

DRAWING NAME: TAXI CONN F M/P 150
DRAWING NUMBER: 12066046

SIZE: A0
SCALE: 5:1
FRAME NO: 1 OF 1
SHEET NO: 1 OF 1
REV: R 05