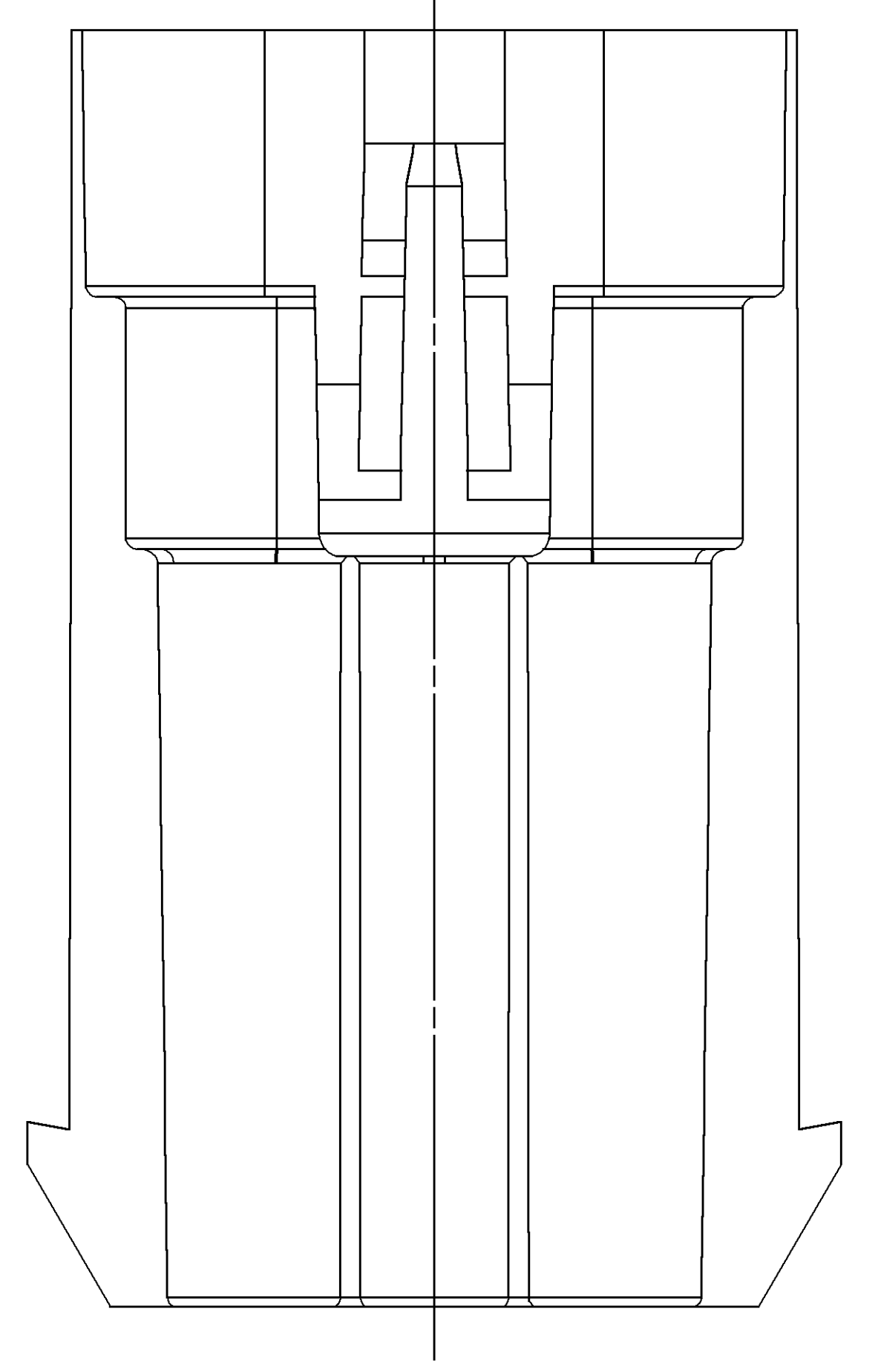
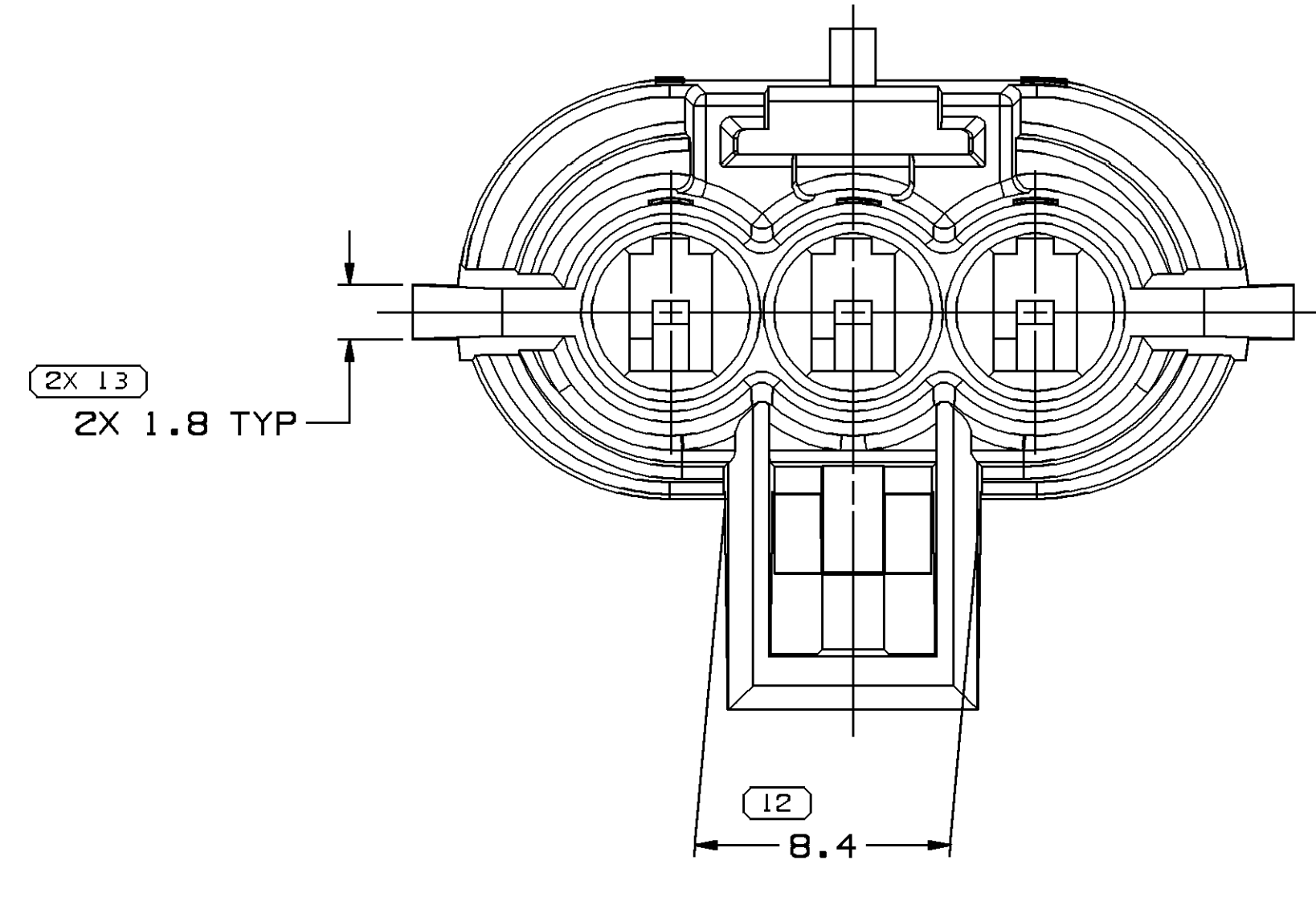
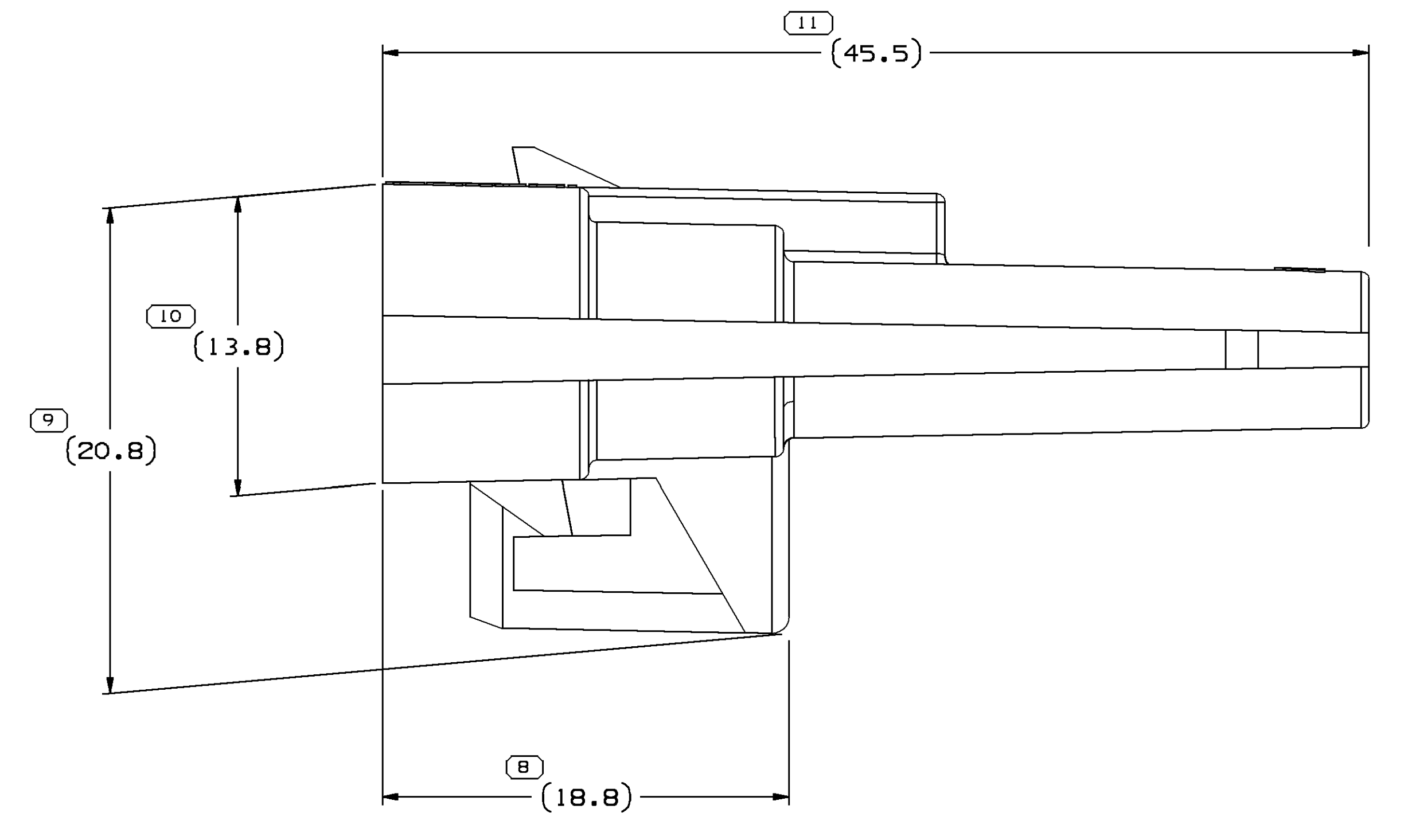
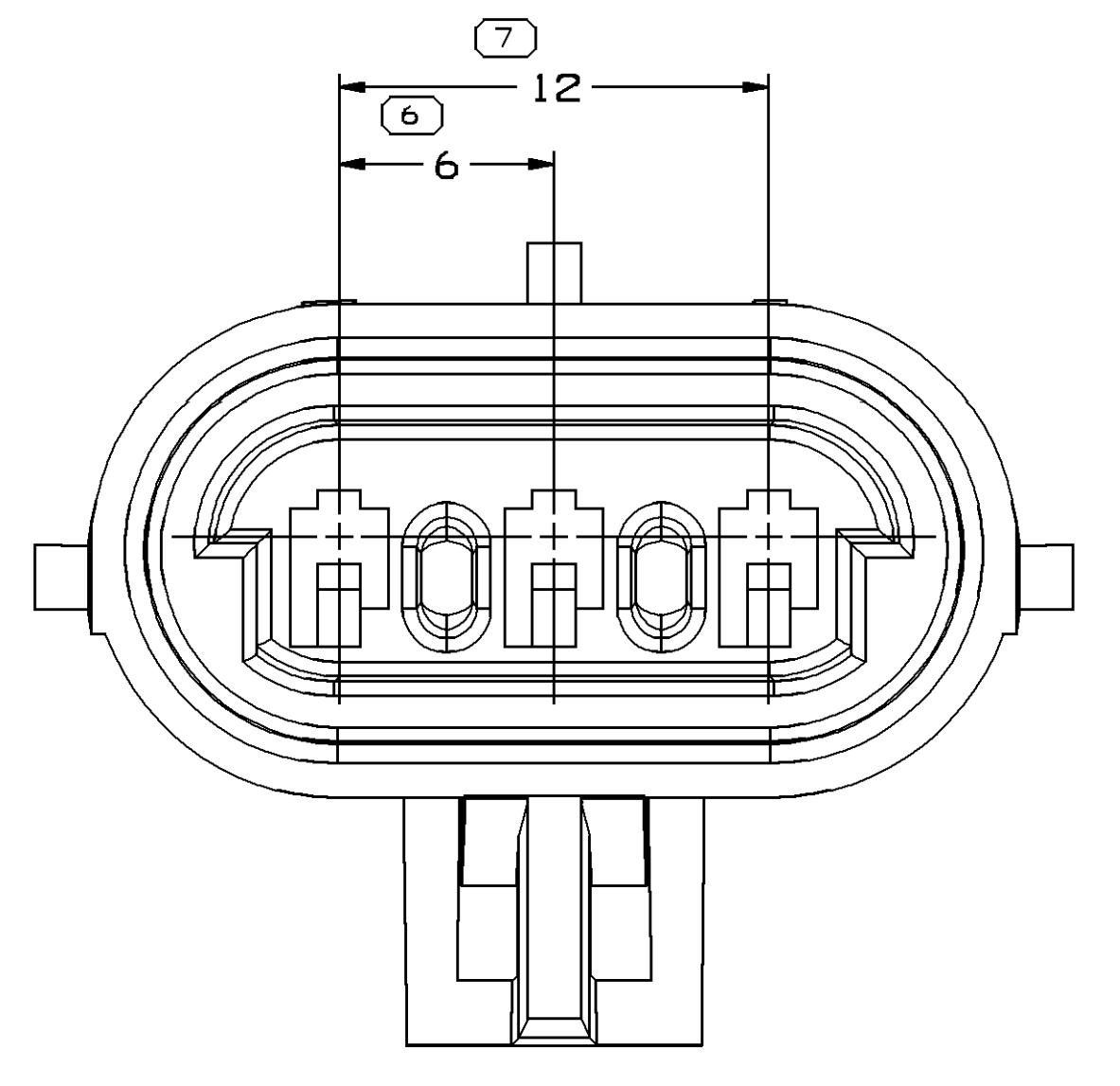
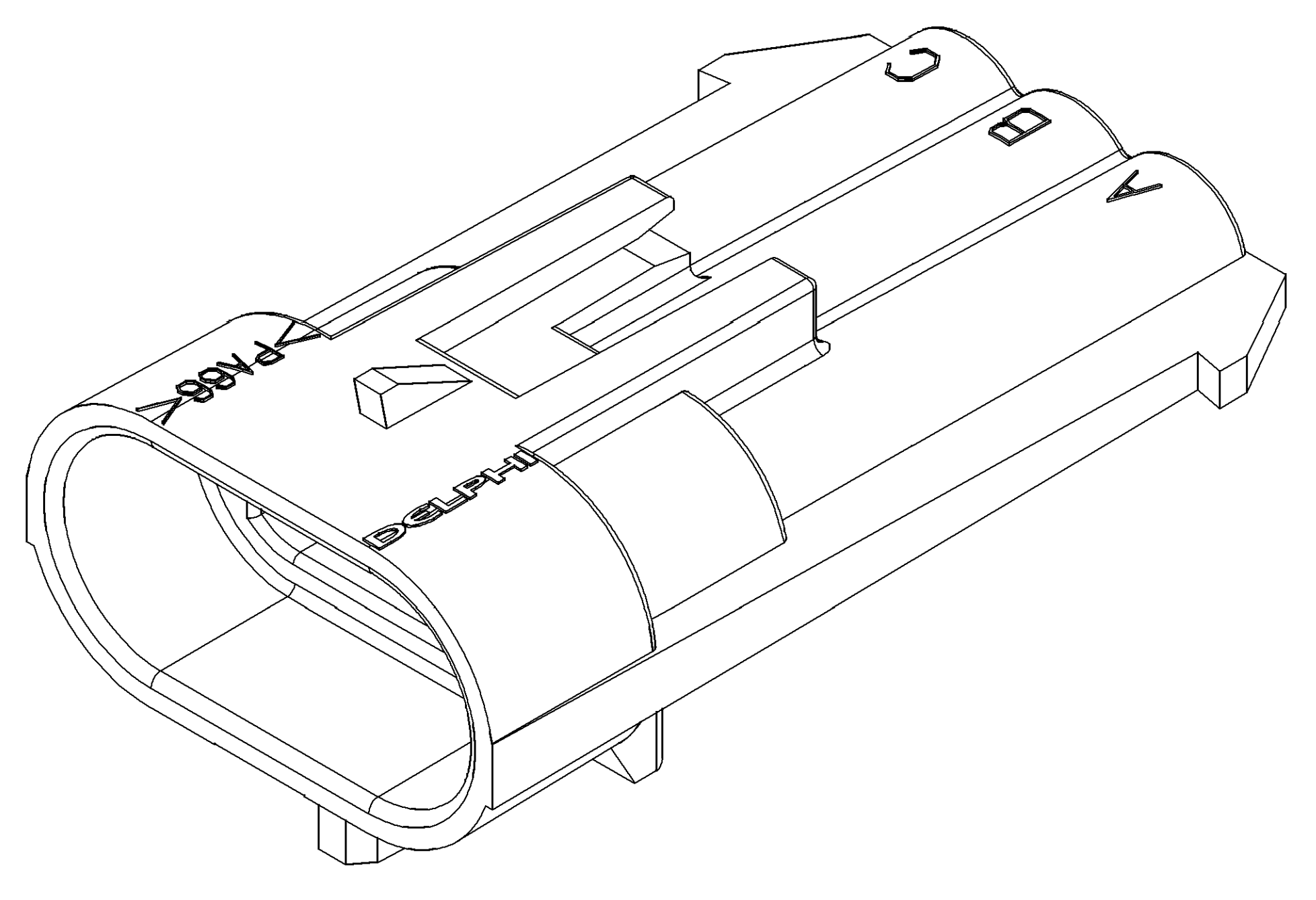
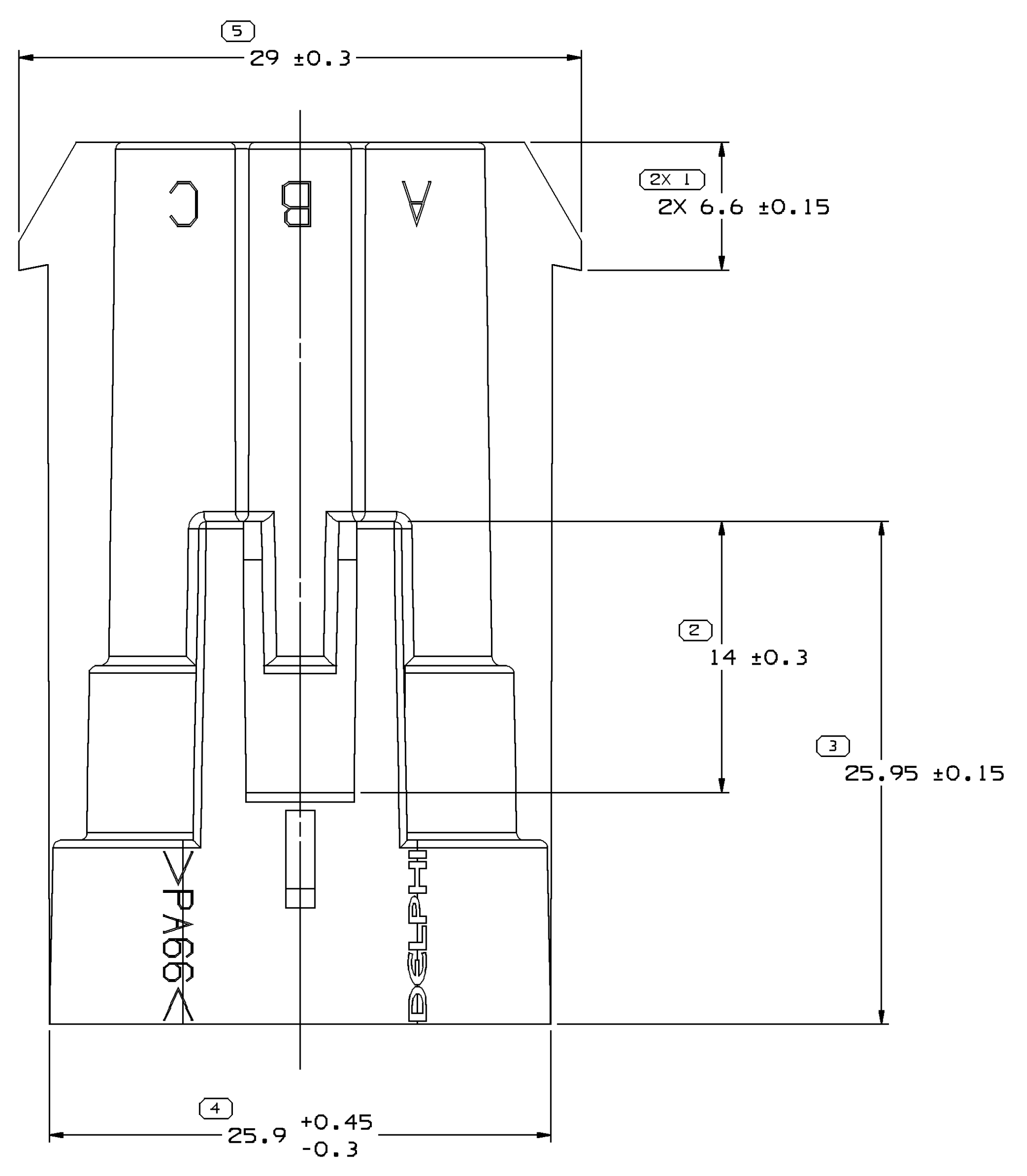


SYMBOL DEFINITION		TOTAL NO OF INSPECTIONS REQUIRED	MISSING SYMBOLS
A DIMENSION WITHOUT AN INSPECTION REPORT SYMBOL DOES NOT REQUIRE INSPECTION. IT MAY BE CONTROLLED ON THE INDIVIDUAL COMPONENT DRAWING.		15	NO MISSING SYMBOL NUMBER
	LAST NO. USED	13	

DWG STATUS				REVISION HISTORY				AUTH	DR	AP/VD
DATE	STG	REV	N/P	CHG	ZONE					
13FE06	R	B2	-	-		CLEARED REV COLUMN, UPDATED TO LATEST U8 STANDARD. MAT'L SPEC WAS R0071754 AND ADDED NOTES 6 & 7	277186	JTZ	FRG	B06
13SE06	R	B3	-	-		UPDATED PDM ATTRIBUTES	284433	MM	MM	B06
05DE06	R	B4	-	-		REVISED MODEL TO MATCH PART	287497	RH	RH	B06



- NOTES
- UNLESS OTHERWISE SPECIFIED AND/OR INDICATED:
DIMENSIONS ARE TO FACE OF VIEW SHOWN AND AUTOMATICALLY ROUNDED BY COMPUTER FOR INSPECTION (SEE MATH MODEL FOR PRECISE DIMENSIONS). FOR ALL OTHER DIMENSIONS NOT SHOWN BUT REQUIRED FOR TOOL BUILD, SEE MATH MODEL FOR PRECISE TOOL PATH DATA.
 - MAXIMUM CABLE DIAMETER FOR THIS PART IS 2.8 MM.
 - SEALING CODE 3 - DESIGN WILL PASS SALT FOG AND IMMERSION TEST AFTER CONDITIONING AS SPECIFIED IN ESA-644 (WEATHER-PACK), ESA-710 (METRI-PACK), ESA-650 (UNDERHOOD MICRO-PACK), C-4006 (WORLD CONNECTOR), ETC. - WHEN MATED TO MATING PART OR EQUIVALENT
 - THIS PART IS NOT CONTROLLED FOR AUTOMATIC FEEDING.
 - THIS PART ACCEPTS THE FOLLOWING COMPONENTS OR EQUIVALENT: CONNECTOR TO MATE WITH 12110293 CONNECTOR AND SEAL ASSEMBLY CAVITIES TO ACCEPT 12045773 TERMINAL SECONDARY TERMINAL LOCK 12052845 CABLE SEAL 12048086 CONNECTOR POSITION ASSURANCE T-LOCK 12020833 WHEN MATED WITH 12110293 CONNECTOR AND SEAL ASM
 - MATERIAL RECYCLING CODE PER ISO 11469. (1.5)X(0.1) CHARACTERS AS SHOWN TO BE LOCATED ON ANY EXTERIOR SURFACE.
 - (0.9)X(0.1) DELPHI CORPORATE BRAND TO BE LOCATED ON ANY EXTERIOR SURFACE. PREFERABLY VISIBLE AT FINAL ASSEMBLY. OPTIONAL CONSTRUCTION FOR EXISTING TOOLING MAY BE "PED".

DWG TYPE PART DRAWING																			
STYLE																			
VOLUME 10/1 4,970	DISTR CODE D																		
UNLESS OTHERWISE SPECIFIED THIS DOCUMENT IS IN ACCORDANCE WITH ASME Y14.5M-1994 AS MODIFIED BY THE M SCHEMATIC DIMENSIONING AND TOLERANCE PRACTICES MANUAL, 2ND EDITION, 1990. UNLESS OTHERWISE SPECIFIED, DIMENSIONS ARE IN MILLIMETERS. DIMENSIONS IN PARENTHESES ARE IN INCHES. DIMENSIONS IN BRACKETS ARE IN MILLIMETERS. DIMENSIONS IN SQUARE BRACKETS ARE IN INCHES. DIMENSIONS IN CIRCLES ARE IN MILLIMETERS. DIMENSIONS IN DIAMETERS ARE IN MILLIMETERS. DIMENSIONS IN SQUARE ROOTS ARE IN MILLIMETERS. DIMENSIONS IN SQUARE ROOTS ARE IN INCHES. DIMENSIONS IN SQUARE ROOTS ARE IN MILLIMETERS. DIMENSIONS IN SQUARE ROOTS ARE IN INCHES.																			
ALL DIMENSIONS ARE IN MILLIMETERS																			
REFERENCE 12052844																			
THIRD ANGLE PROJECTION																			
DO NOT SCALE	USE MATH DATA																		
<table border="1"> <thead> <tr> <th>DIMENSIONAL RANGE (MM)</th> <th>TOLERANCE UNLESS OTHERWISE SPECIFIED</th> </tr> </thead> <tbody> <tr> <td>FROM > 0 TO > 30</td> <td>±0.15</td> </tr> <tr> <td>> 30 TO > 70</td> <td>±0.2</td> </tr> <tr> <td>> 70 TO > 100</td> <td>±0.3</td> </tr> <tr> <td>> 100 TO > 150</td> <td>±0.4</td> </tr> <tr> <td>> 150 TO > 200</td> <td>±0.5</td> </tr> <tr> <td>> 200 TO > 250</td> <td>±0.6</td> </tr> <tr> <td>> 250 TO > 300</td> <td>±0.8</td> </tr> <tr> <td>> 300 TO > 400</td> <td>±1.0</td> </tr> </tbody> </table>		DIMENSIONAL RANGE (MM)	TOLERANCE UNLESS OTHERWISE SPECIFIED	FROM > 0 TO > 30	±0.15	> 30 TO > 70	±0.2	> 70 TO > 100	±0.3	> 100 TO > 150	±0.4	> 150 TO > 200	±0.5	> 200 TO > 250	±0.6	> 250 TO > 300	±0.8	> 300 TO > 400	±1.0
DIMENSIONAL RANGE (MM)	TOLERANCE UNLESS OTHERWISE SPECIFIED																		
FROM > 0 TO > 30	±0.15																		
> 30 TO > 70	±0.2																		
> 70 TO > 100	±0.3																		
> 100 TO > 150	±0.4																		
> 150 TO > 200	±0.5																		
> 200 TO > 250	±0.6																		
> 250 TO > 300	±0.8																		
> 300 TO > 400	±1.0																		

DELPHI
DELPHI PACKARD ELECTRIC SYSTEMS
WARREN, OH

DR	DATE
APV01 W. H. POEHLER	13FE92
APV02 HENRY HOKE	13FE92
APV03 W. K. CHIN	13FE92
APV04	
APV05	

SUBSTANCES OF CONCERN AND RECYCLED CONTENT PER DELPHI 10949001

WATERLIL W3592001 P666 HS 1M BLK

DRAWING NAME
CONN 3 M M/P 150 BLK SLD

DRAWING NUMBER
12129615

SIZE A0	SCALE 5:1	FRAME NO 1	SHEET NO 1	TOTAL SHEETS 1	REV R	N/P B4
------------	--------------	---------------	---------------	-------------------	----------	-----------