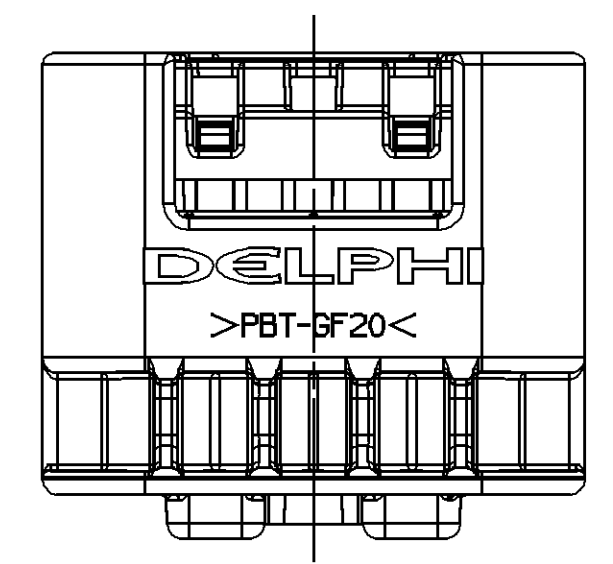
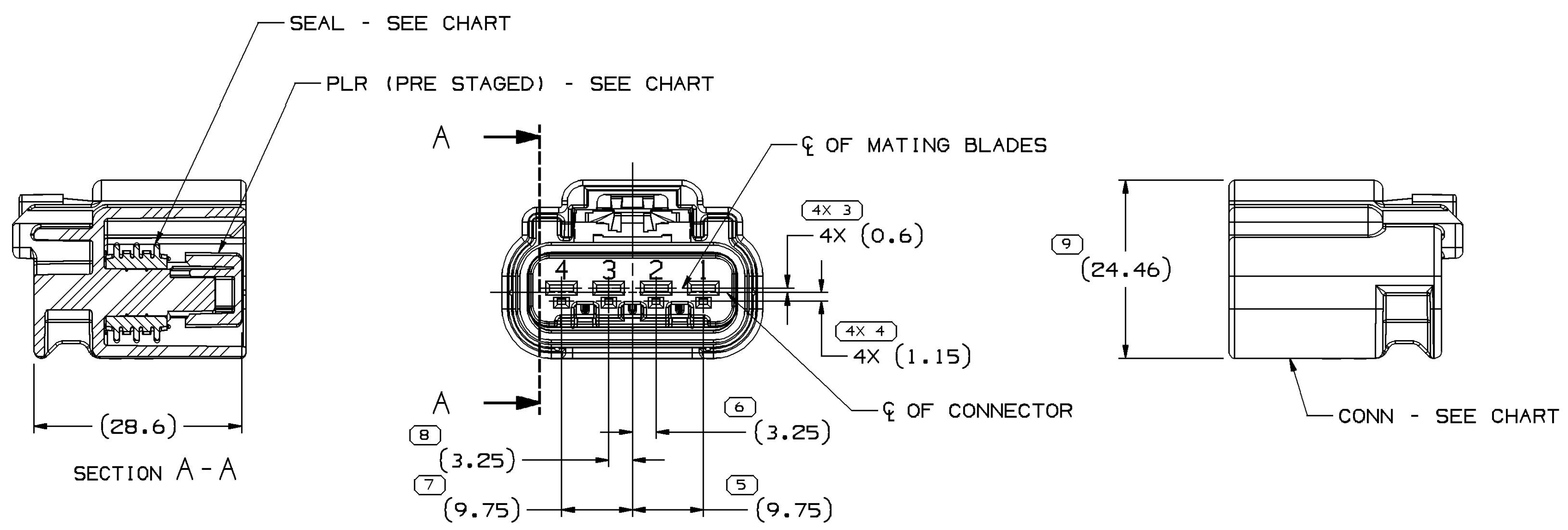
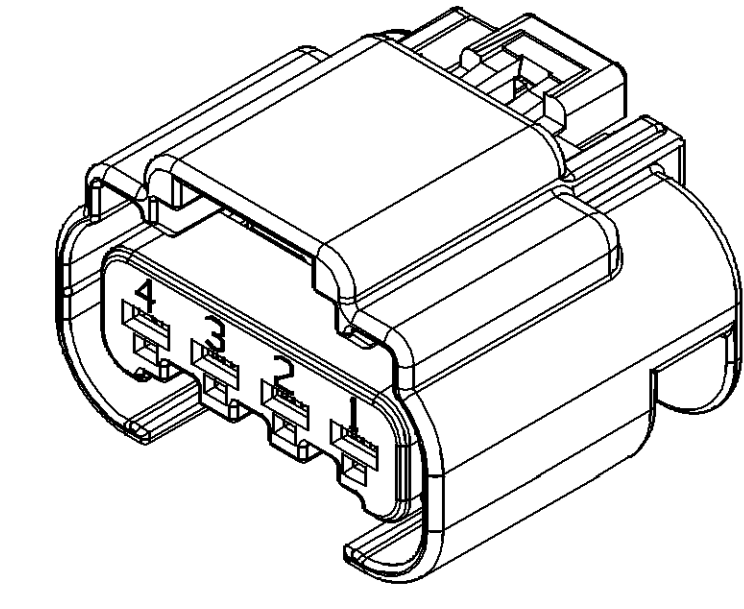
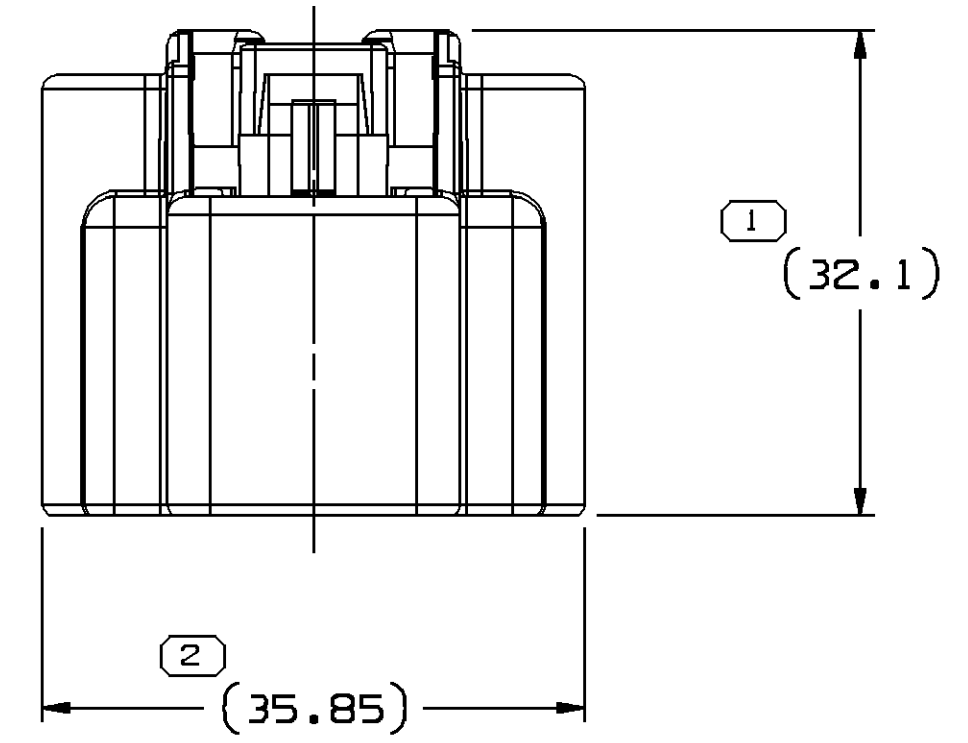


| SYMBOL DEFINITION  |                                  | MISSING SYMBOLS          |    |
|--|----------------------------------|--------------------------|----|
| A DIMENSION WITHOUT AN INSPECTION REPORT SYMBOL ( ) DOES NOT REQUIRE INSPECTION. IT MAY BE CONTROLLED ON THE INDIVIDUAL COMPONENT DRAWING. | TOTAL NO OF INSPECTIONS REQUIRED | NO MISSING SYMBOL NUMBER | 15 |
|  | LAST NO. USED                    |                          | 9  |

| DWG STATUS |     |     |     |     | REVISION HISTORY |  |  |  | AUTH |        | DR  |     | APVD |  |
|------------|-----|-----|-----|-----|------------------|--|--|--|------|--------|-----|-----|------|--|
| DATE       | STG | REV | N/P | CHG | ZONE             |  |  |  |      |        |     |     |      |  |
| 050C05     | R   | 01  | -   | -   |                  | WAS PE143560 AND RELEASED                      |  |  |      | 273164 | CCV | AUG | MJD  |  |
| 22DE05     | R   | 02  | -   | -   |                  | UPDATED CONNECTOR                              |  |  |      | 275501 | RMG | JAA | MJD  |  |
| 24FE06     | R   | 02  | AA  | -   |                  | ADDED NOTE 5                                   |  |  |      | 277238 | CJP | CJP | MJD  |  |
| 17MY06     | R   | 03  | -   | -   |                  | SEAL 13580347 WAS 13527863, AND REVISED NOTE 4 |  |  |      | 280453 | MLM | MLM | MJD  |  |
| 22MR07     | R   | 03  | AA  | -   |                  | UPDATED PDM ATTRIBUTES                         |  |  |      | 400918 | EF5 | JAA | GGI  |  |



- NOTES**
- UNLESS OTHERWISE SPECIFIED AND/OR INDICATED:  
DIMENSIONS ARE TO FACE OF VIEW SHOWN AND AUTOMATICALLY ROUNDED BY COMPUTER FOR INSPECTION (SEE MATH MODEL FOR PRECISE DIMENSIONS). FOR ALL OTHER DIMENSIONS NOT SHOWN BUT REQUIRED FOR TOOL BUILD, SEE MATH MODEL FOR PRECISE TOOL PATH DATA.
  - SEALING CODE 4 - DESIGN WILL MEET REQUIREMENTS OF SAE/USCAR-2 CONNECTOR SYSTEM ENVIRONMENTAL TEST FLOWCHART (PRESSURE/VACUUM AND SUBMERSION).
  - THIS PART ACCEPTS THE FOLLOWING COMPONENTS OR EQUIVALENT:  
TERMINAL - 15304719  
CABLE SEAL - 15366066  
CPA - 15317832
  - FOR MATING CONFIGURATION REQUIREMENTS SEE PART NUMBER 13527866.
  - MINIMUM TERMINAL TO CONNECTOR ENGAGE FORCE WITH PLR SEATED DOUBLE MAXIMUM TERMINAL TO CONNECTOR ENGAGE FORCE WITH PLR FULLY SEATED.

|  |            |              |  |
|--|------------|--------------|--|
| DWG TYPE   |            | PART DRAWING |  |
| STYLE  |            |              |  |
| VOLUME (C/P)   | DISTR CODE |              |  |
|  | D          |              |  |
| UNLESS OTHERWISE SPECIFIED   |            |              |  |
| THIS DOCUMENT IS IN ACCORDANCE WITH ASME Y14.5M-1994 AS AMENDED BY THE 94 GLOBAL DIMENSIONING AND TOLERANCING ADDENDUM-2001. SEPARATE PATTERNS OF FEATURES MAY BE GAGED SEPARATELY REGARDLESS OF DATUM REFERENCES. |            |              |  |
| ALL DIMENSIONS ARE IN MILLIMETERS  |            |              |  |
| REFERENCE  |            |              |  |

**DELPHI**  
DELPHI PACKARD ELECTRIC SYSTEMS  
WARREN, OH

|                       |        |
|-----------------------|--------|
| DR                    | DATE   |
| APVD1 CESAR CERVANTES | 050C05 |
| APVD2 ARNULFO UGALDE  | 070C05 |
| APVD3 M. DEMONICA     | 100C05 |
| APVD4                 |        |
| APVD5                 |        |

SUBSTANCES OF CONCERN AND RECYCLED CONTENT PER DELPHI 10945001

MATERIAL SEE DRAWING

DRAWING NAME  
ASM CONN 4 F 0T 280 NAT SLD

DRAWING NUMBER  
**13527865**

|      |       |          |          |     |     |     |
|------|-------|----------|----------|-----|-----|-----|
| SIZE | SCALE | FRAME NO | SHEET NO | STG | REV | N/P |
| A1   | 2:1   | 1 OF 1   | 1 OF 1   | R   | 03  | AA  |

|          |          |          |          |
|----------|----------|----------|----------|
| 13527865 | 13580347 | 13527864 | 13527862 |
| PART NO  | SEAL     | PLR      | CONN     |

|  |      |
|--|------|
| (N/A) PROCESS SENSITIVE DIMENSION  |      |
| DIMENSIONS ENCLOSED IN ( ) INDICATE REFERENCE DIMENSIONS AND NO TOLERANCE LIMITS ARE ESTABLISHED |      |
| TOLERANCE UNLESS OTHERWISE SPECIFIED   |      |
| ±0.15  | ±0.2 |
| ±0.3   | ±0.4 |
| ±0.5   | ±0.6 |
| ±0.8   | ±1   |
| ±1.2   | ±1.5 |
| ANGULAR TOLERANCE ±2°  |      |

THIRD ANGLE PROJECTION

DO NOT SCALE

USE MATH DATA