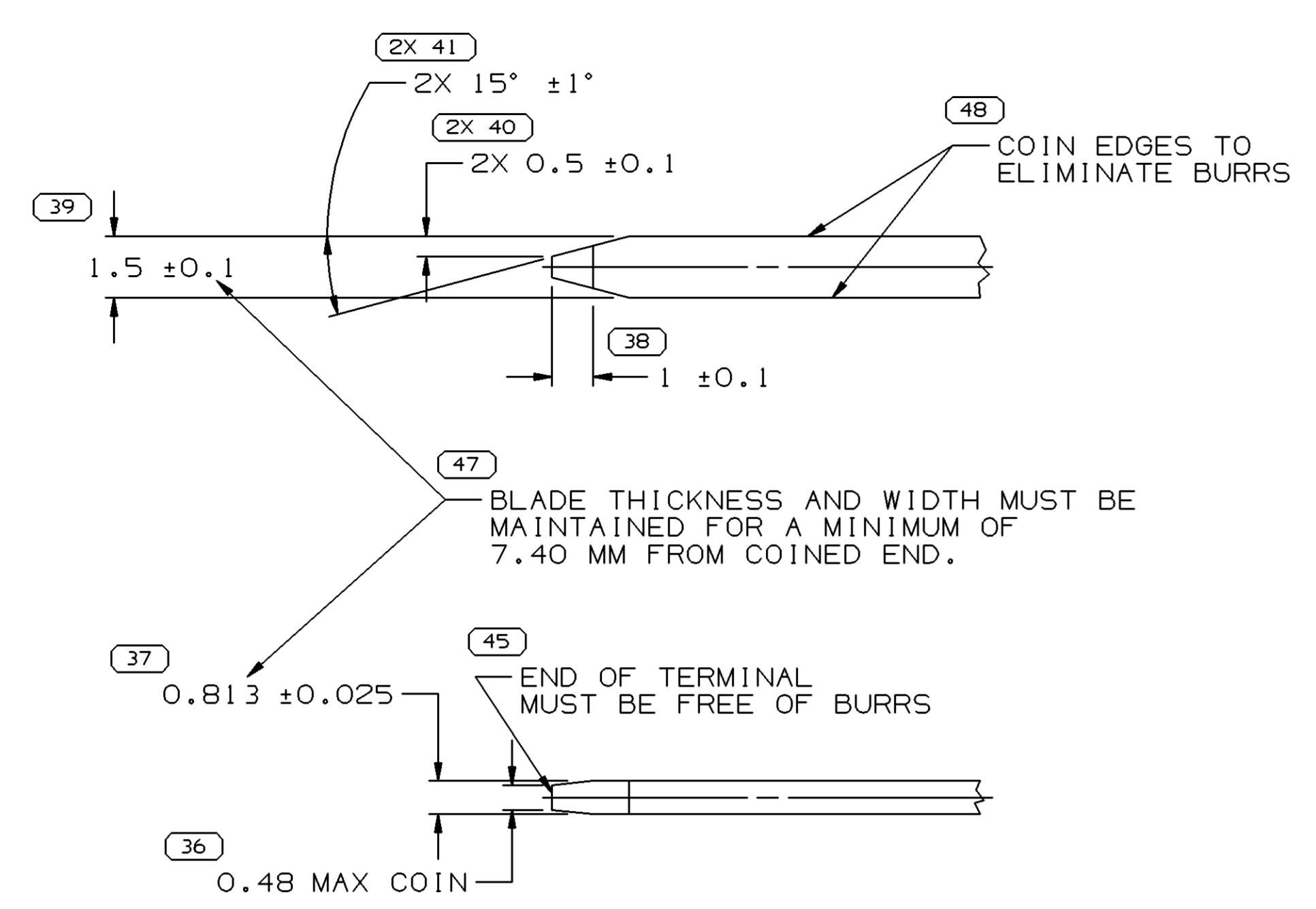


SYMBOL DEFINITION		MISSING SYMBOLS	
A DIMENSION WITHOUT AN INSPECTION REPORT SYMBOL DOES NOT REQUIRE INSPECTION. IT MAY BE CONTROLLED ON THE INDIVIDUAL COMPONENT DRAWING.	TOTAL NO OF INSPECTIONS REQUIRED	NO MISSING SYMBOL NUMBER	
	77		
	LAST NO. USED		
	58		

DWO STATUS				REVISION HISTORY				AUTH		DR		APVD	
DATE	STG	REV	N/P	CHG	ZONE								
04SE02	R	01	-	-	-	ALL PARTS - SECONDARY TERMINAL LOCK NOTE WAS 12047664, ADDED NOTES (2 PLCS) & REVISED MAT'L SPEC				230019	RVP	RVP	GM
11JA05	R	02	-	-	-	RELAXED TOLERANCES				262445	MM	MM	BB



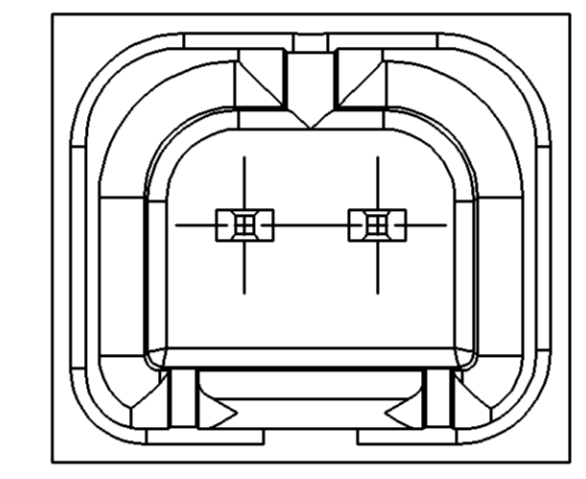
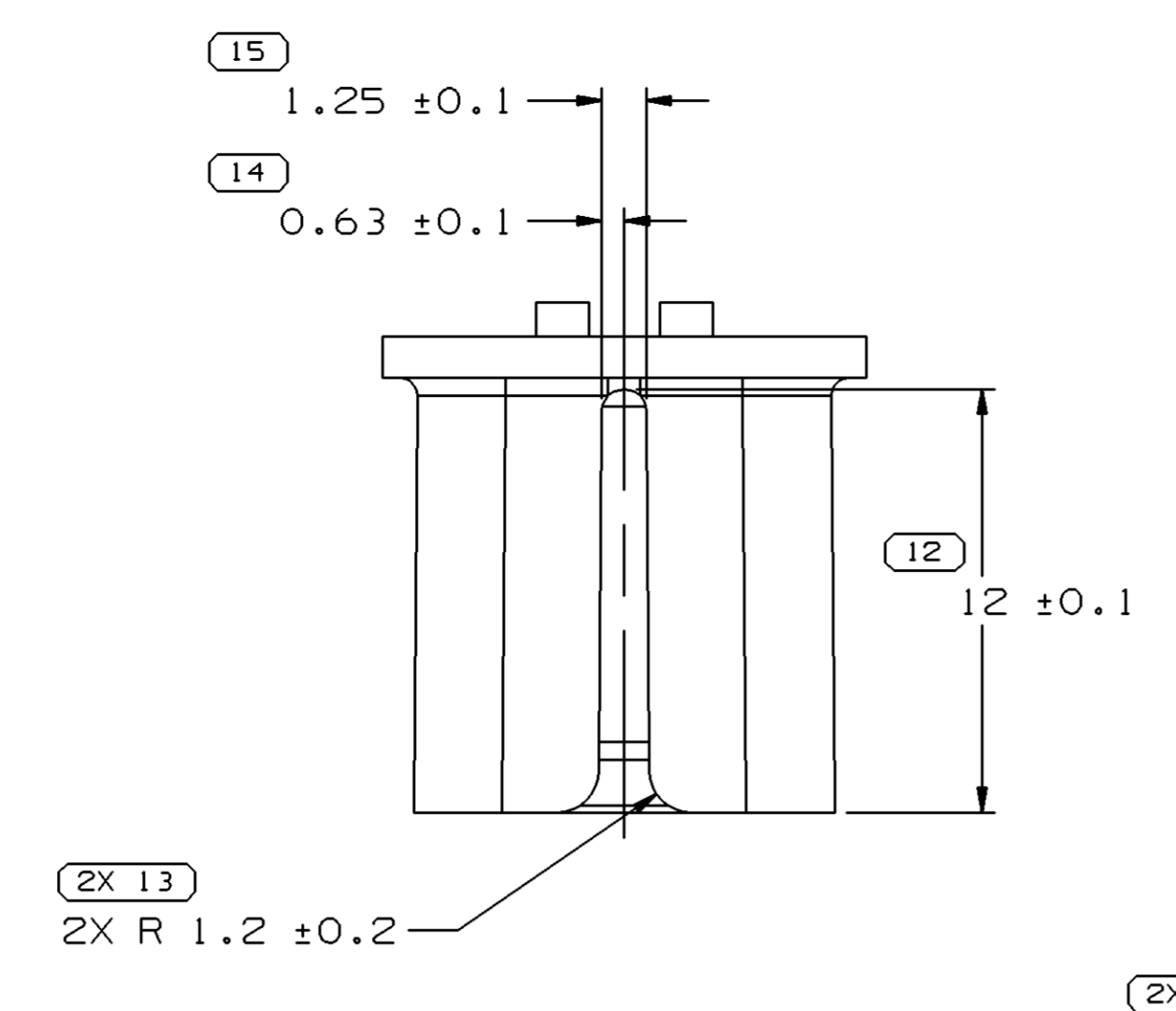
MATERIAL SPECIFICATIONS

RECOMMENDED
 BASE METAL - CDA-210, EXTRA SPRING TEMPER
 PLATING - 0.005 ± 0.0025 MM THICK TIN

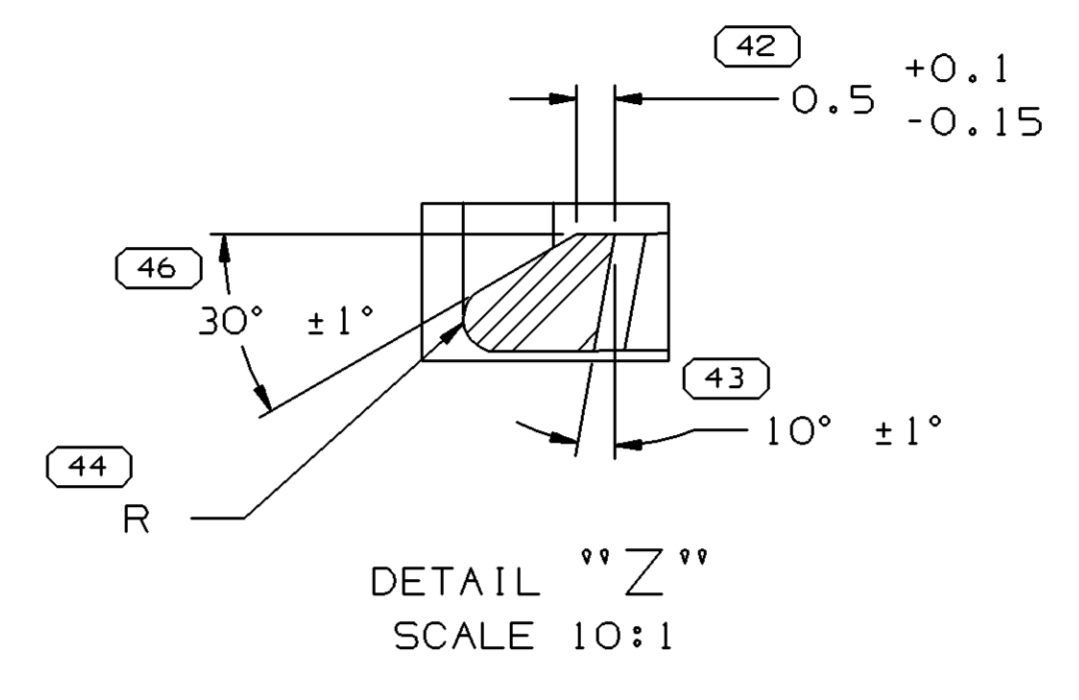
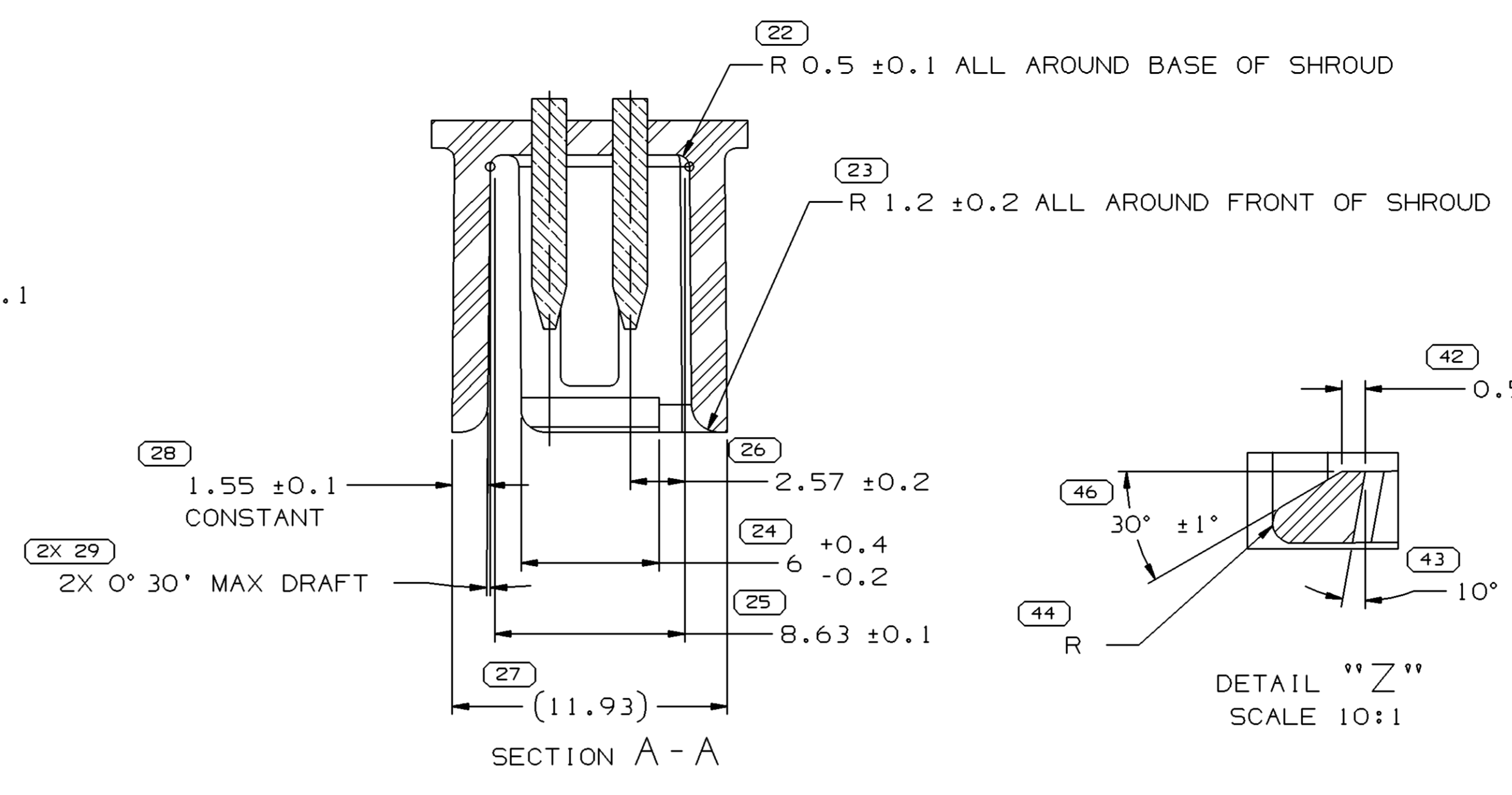
MINIMUMS
 ELECTRICAL CONDUCTIVITY - ≥ 20% IACS AT 20°C. USE OF A MATERIAL WITH CONDUCTIVITY ≤ 20% IACS MUST BE APPROVED BY PACKARD ELECTRIC MATERIALS ENGINEERING.
 TENSILE STRENGTH - 407 MPa

PLATING - FOR LOW ENERGY (≤ 5V) AND NON-PASSENGER COMPARTMENT POWER CIRCUITS, 0.005 ± 0.0025 MM THICK TIN. FOR MATERIALS CONTAINING 10% OR MORE ZINC, AN UNDERPLATE OF COPPER 0.0050 ± 0.0025 MM THICK IS REQUIRED.

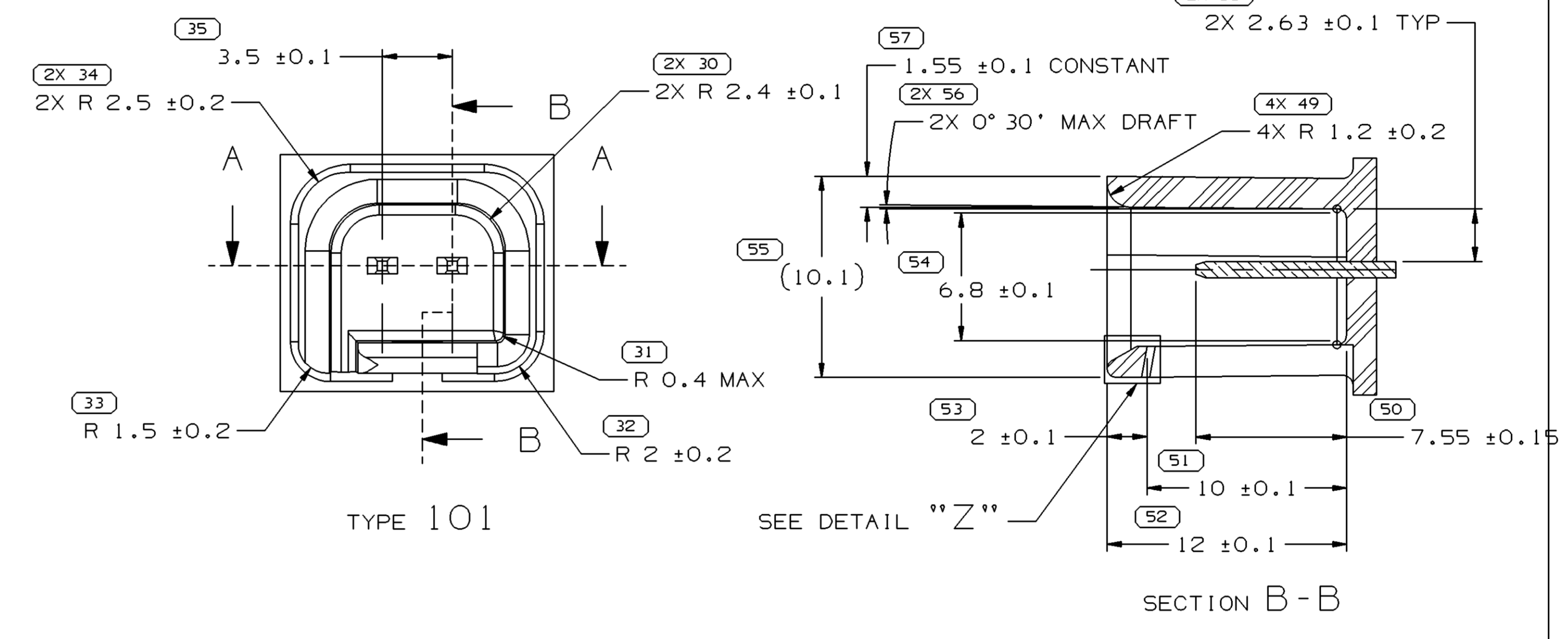
MATING BLADE INFORMATION
SCALE 10:1



TYPE 102
SAME AS TYPE 101 EXCEPT AS SHOWN



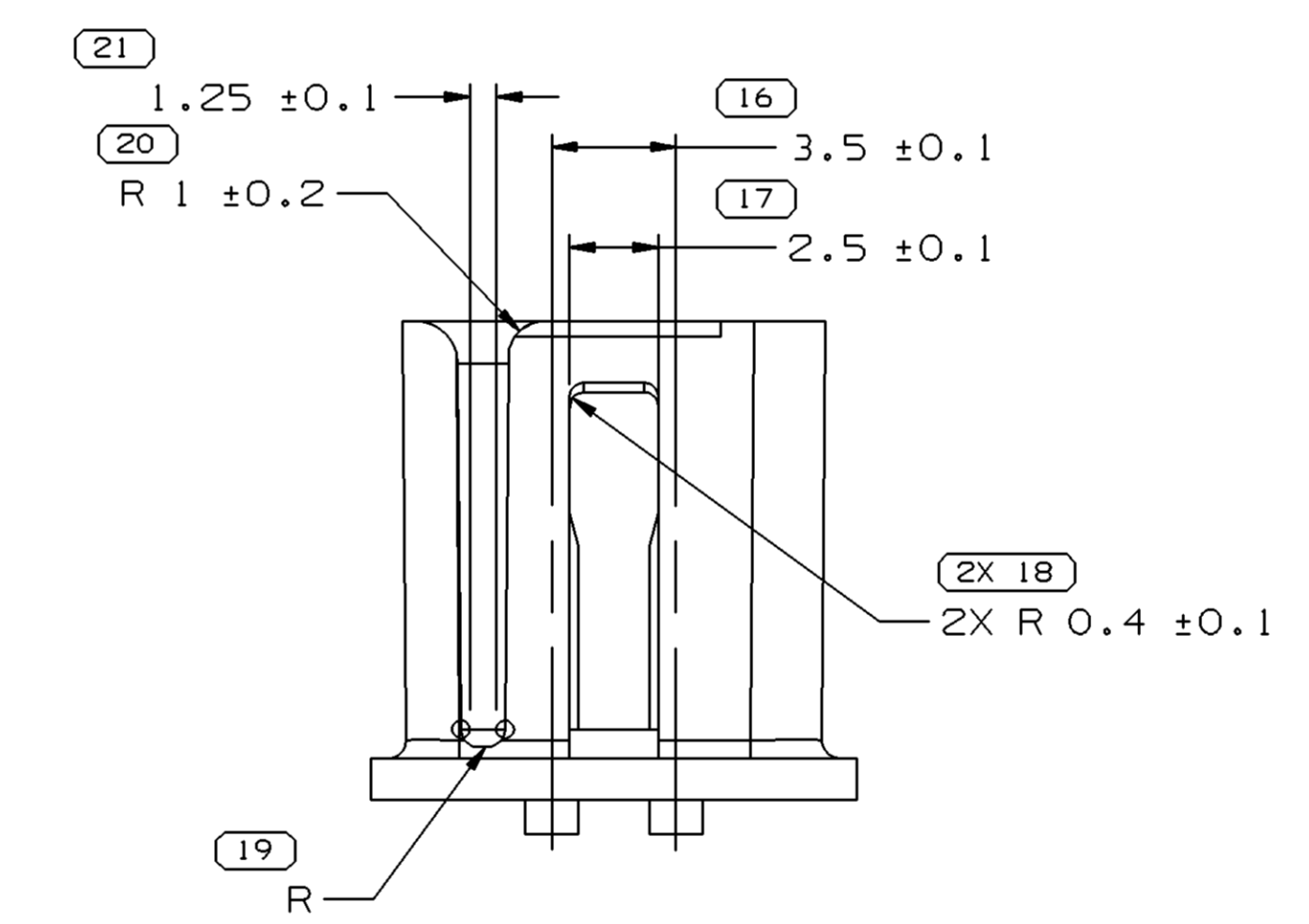
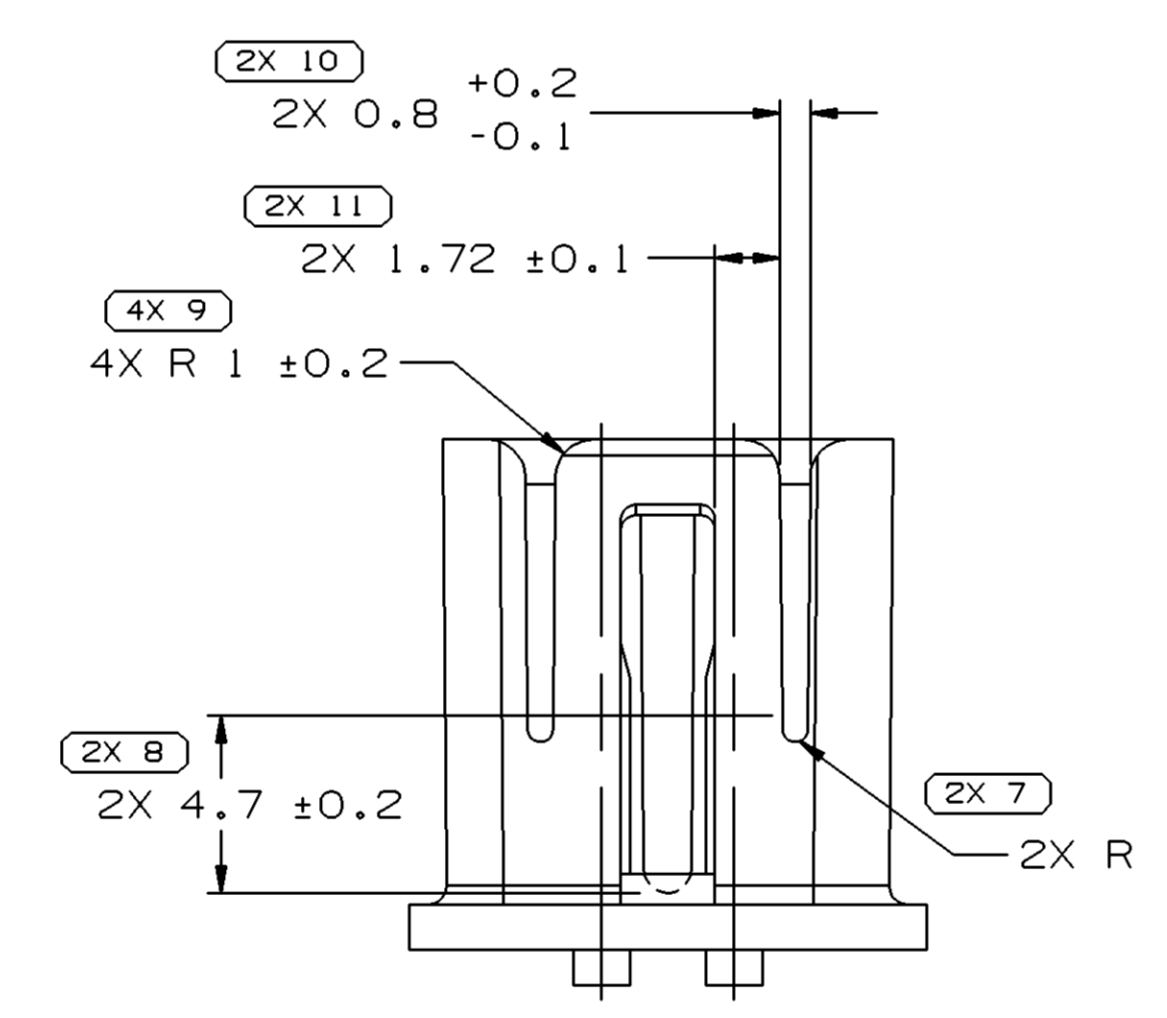
DETAIL "Z"
SCALE 10:1



TYPE 101

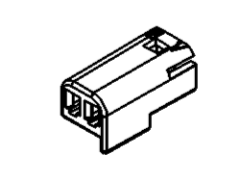
SEE DETAIL "Z"

SECTION B-B

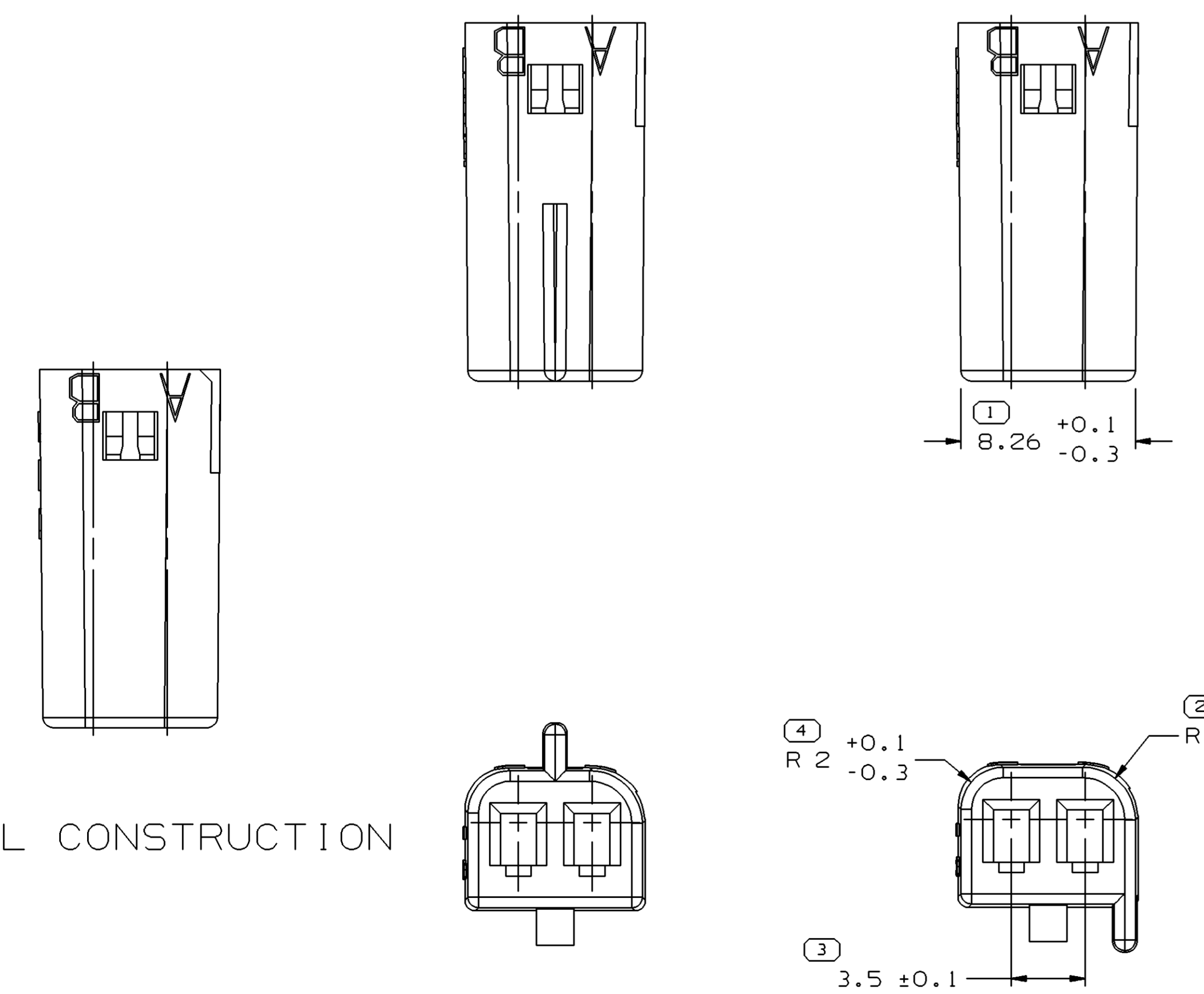


MATING CONNECTOR INFORMATION

- NOTES**
- UNLESS OTHERWISE SPECIFIED AND/OR INDICATED: DIMENSIONS ARE TO FACE OF VIEW SHOWN AND AUTOMATICALLY ROUNDED BY COMPUTER FOR INSPECTION (SEE MATH MODEL FOR PRECISE DIMENSIONS). FOR ALL OTHER DIMENSIONS NOT SHOWN BUT REQUIRED FOR TOOL BUILD, SEE MATH MODEL FOR PRECISE TOOL PATH DATA.
 - MATERIAL RECYCLING CODE >PA66< PER SAE J1344. (2.3)X(0.1) RAISED CHARACTERS AS SHOWN TO BE LOCATED ON ANY EXTERIOR SURFACE. OPTIONAL CONSTRUCTION TO BE NO MATERIAL RECYCLING CODE.
 - THIS PART IS NOT CONTROLLED FOR AUTOMATIC FEEDING.
 - MATING COMPONENTS OR EQUIVALENT: TERMINAL 12047883
 - THIS PART ACCEPTS THE FOLLOWING COMPONENTS OR EQUIVALENT: SECONDARY TERMINAL LOCK 15324070
 - (2.3)X(0.1) RAISED DELPHI CORPORATE BRAND TO BE LOCATED ON ANY EXTERIOR SURFACE, PREFERABLY VISIBLE AT FINAL ASSEMBLY. OPTIONAL CONSTRUCTION TO BE "PED" OR NO LOGO.



OPTIONAL CONSTRUCTION



TYPE 102
SAME AS TYPE 101 EXCEPT AS SHOWN

TYPE 101

PART NO	STG	REV	N/P	STATUS	TYPE	MATERIAL SPECIFICATION AND COLOR	MATING CONNECTOR	VOL	CM ³
12059253	R	C4			102	M3592015 PA66 HS IM GRN LT	12059254	0.587	
12059251	R	D4			101	M3592004 PA66 HS IM RED	12059252	0.588	

DIMENSIONAL RANGE (MM)	TOLERANCE UNLESS OTHERWISE SPECIFIED	CHART ET
FROM > 0	> 20	> 30
TO > 20	> 30	> 40
> 40	> 50	> 60
> 60	> 80	> 100
> 80	> 100	> 150
> 100	> 150	> 200
> 150	> 200	> 250
> 200	> 250	> 300
> 250	> 300	> 400
> 300	> 400	> 500
> 400	> 500	> 600
> 500	> 600	> 700
> 600	> 700	> 800
> 700	> 800	> 900
> 800	> 900	> 1000
> 900	> 1000	> 1500
> 1000	> 1500	> 2000
> 1500	> 2000	> 3000
> 2000	> 3000	> 4000
> 3000	> 4000	> 5000
> 4000	> 5000	> 6000
> 5000	> 6000	> 7000
> 6000	> 7000	> 8000
> 7000	> 8000	> 9000
> 8000	> 9000	> 10000
> 9000	> 10000	> 15000
> 10000	> 15000	> 20000
> 15000	> 20000	> 30000
> 20000	> 30000	> 40000
> 30000	> 40000	> 50000
> 40000	> 50000	> 60000
> 50000	> 60000	> 70000
> 60000	> 70000	> 80000
> 70000	> 80000	> 90000
> 80000	> 90000	> 100000
> 90000	> 100000	> 150000
> 100000	> 150000	> 200000
> 150000	> 200000	> 300000
> 200000	> 300000	> 400000
> 300000	> 400000	> 500000
> 400000	> 500000	> 600000
> 500000	> 600000	> 700000
> 600000	> 700000	> 800000
> 700000	> 800000	> 900000
> 800000	> 900000	> 1000000
> 900000	> 1000000	> 1500000
> 1000000	> 1500000	> 2000000
> 1500000	> 2000000	> 3000000
> 2000000	> 3000000	> 4000000
> 3000000	> 4000000	> 5000000
> 4000000	> 5000000	> 6000000
> 5000000	> 6000000	> 7000000
> 6000000	> 7000000	> 8000000
> 7000000	> 8000000	> 9000000
> 8000000	> 9000000	> 10000000
> 9000000	> 10000000	> 15000000
> 10000000	> 15000000	> 20000000
> 15000000	> 20000000	> 30000000
> 20000000	> 30000000	> 40000000
> 30000000	> 40000000	> 50000000
> 40000000	> 50000000	> 60000000
> 50000000	> 60000000	> 70000000
> 60000000	> 70000000	> 80000000
> 70000000	> 80000000	> 90000000
> 80000000	> 90000000	> 100000000
> 90000000	> 100000000	> 150000000
> 100000000	> 150000000	> 200000000
> 150000000	> 200000000	> 300000000
> 200000000	> 300000000	> 400000000
> 300000000	> 400000000	> 500000000
> 400000000	> 500000000	> 600000000
> 500000000	> 600000000	> 700000000
> 600000000	> 700000000	> 800000000
> 700000000	> 800000000	> 900000000
> 800000000	> 900000000	> 1000000000
> 900000000	> 1000000000	> 1500000000
> 1000000000	> 1500000000	> 2000000000
> 1500000000	> 2000000000	> 3000000000
> 2000000000	> 3000000000	> 4000000000
> 3000000000	> 4000000000	> 5000000000
> 4000000000	> 5000000000	> 6000000000
> 5000000000	> 6000000000	> 7000000000
> 6000000000	> 7000000000	> 8000000000
> 7000000000	> 8000000000	> 9000000000
> 8000000000	> 9000000000	> 10000000000
> 9000000000	> 10000000000	> 15000000000
> 10000000000	> 15000000000	> 20000000000
> 15000000000	> 20000000000	> 30000000000
> 20000000000	> 30000000000	> 40000000000
> 30000000000	> 40000000000	> 50000000000
> 40000000000	> 50000000000	> 60000000000
> 50000000000	> 60000000000	> 70000000000
> 60000000000	> 70000000000	> 80000000000
> 70000000000	> 80000000000	> 90000000000
> 80000000000	> 90000000000	> 100000000000
> 90000000000	> 100000000000	> 150000000000
> 100000000000	> 150000000000	> 200000000000
> 150000000000	> 200000000000	> 300000000000
> 200000000000	> 300000000000	> 400000000000
> 300000000000	> 400000000000	> 500000000000
> 400000000000	> 500000000000	> 600000000000
> 500000000000	> 600000000000	> 700000000000
> 600000000000	> 700000000000	> 800000000000
> 700000000000	> 800000000000	> 900000000000
> 800000000000	> 900000000000	> 1000000000000
> 900000000000	> 1000000000000	> 1500000000000
> 1000000000000	> 1500000000000	> 2000000000000
> 1500000000000	> 2000000000000	> 3000000000000
> 2000000000000	> 3000000000000	> 4000000000000
> 3000000000000	> 4000000000000	> 5000000000000
> 4000000000000	> 5000000000000	> 6000000000000
> 5000000000000	> 6000000000000	> 7000000000000
> 6000000000000	> 7000000000000	> 8000000000000
> 7000000000000	> 8000000000000	> 9000000000000
> 8000000000000	> 9000000000000	> 10000000000000
> 9000000000000	> 10000000000000	> 15000000000000
> 10000000000000	> 15000000000000	> 20000000000000
> 15000000000000	> 20000000000000	> 30000000000000
> 20000000000000	> 30000000000000	> 40000000000000
> 30000000000000	> 40000000000000	> 50000000000000
> 40000000000000	> 50000000000000	> 60000000000000
> 50000000000000	> 60000000000000	> 70000000000000
> 60000000000000	> 70000000000000	> 80000000000000
> 70000000000000	> 80000000000000	> 90000000000000
> 80000000000000	> 90000000000000	> 100000000000000
> 90000000000000	> 100000000000000	> 150000000000000
> 100000000000000	> 150000000000000	> 200000000000000
> 150000000000000	> 200000000000000	> 300000000000000
> 200000000000000	> 300000000000000	> 400000000000000
> 300000000000000	> 400000000000000	> 500000000000000
> 400000000000000	> 500000000000000	> 600000000000000
> 500000000000000	> 600000000000000	> 700000000000000
> 600000000000000	> 700000000000000	> 800000000000000
> 700000000000000	> 800000000000000	> 900000000000000
> 800000000000000	> 900000000000000	> 1000000000000000
> 900000000000000	> 1000000000000000	> 1500000000000000
> 1000000000000000	> 1500000000000000	> 2000000000000000
> 1500000000000000	> 2000000000000000	> 3000000000000000
> 2000000000000000	> 3000000000000000	> 4000000000000000
> 3000000000000000	> 4000000000000000	> 500000