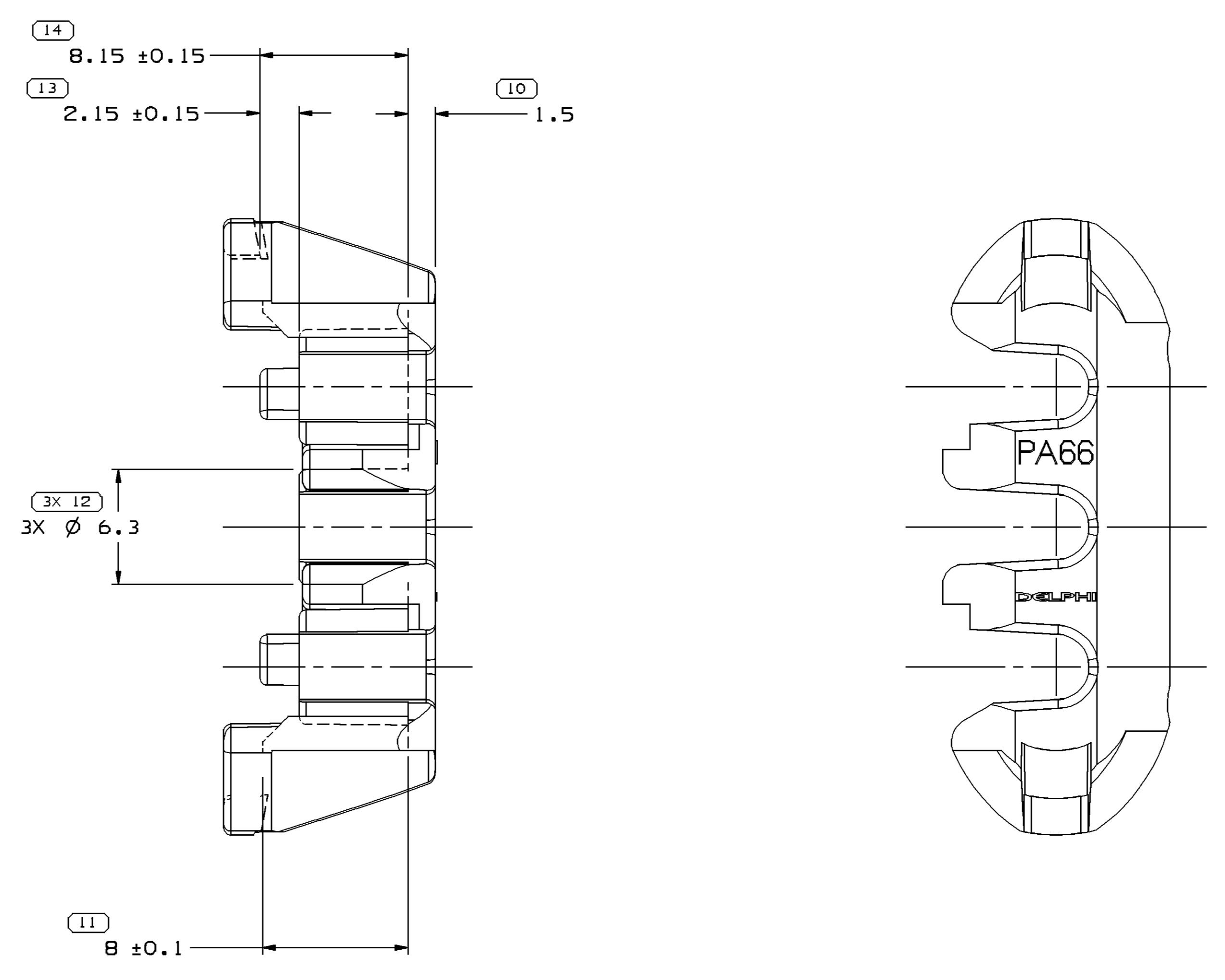
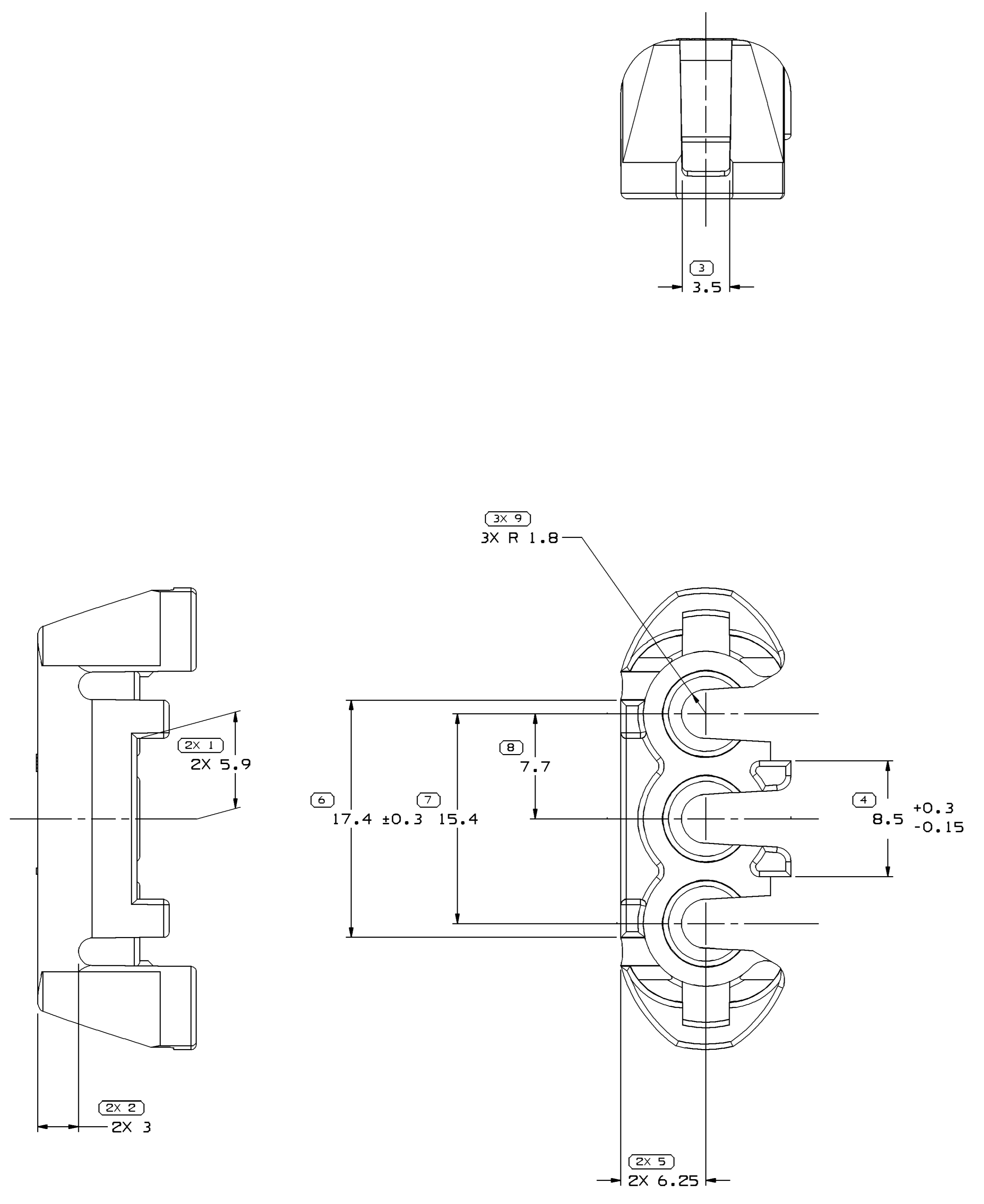


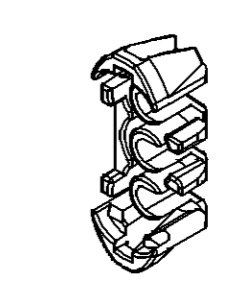
SYMBOL DEFINITION		TOTAL NO OF INSPECTIONS REQUIRED	
A DIMENSION WITHOUT AN INSPECTION REPORT SYMBOL DOES NOT REQUIRE INSPECTION. IT MAY BE CONTROLLED ON THE INDIVIDUAL COMPONENT DRAWING.		21	
	LAST NO. USED	14	

DWG STATUS				REVISION HISTORY				AUTH		DR		AP/VD	
DATE	STG	REV	N/P	CHG	ZONE	ALL PARTS - CREATED PD, ADDED NOTES & REVISED MAT'L SPEC			LEB	LEB	1	2	
23MY02	R	01	-	-					225840	LEB			
110C02	R	02	-	-		12162422-MAT'L SPEC WAS M3596002 PA66 BLK & 15300015-MAT'L SPEC WAS M3596001 PA66 NAT			230156	RCH	RCH	RC	
21MR06	R	03	-	-		15300015 - MAT'L SPEC WAS M3592002			278614	ACB	FRG	PYP	



NOTES

- UNLESS OTHERWISE SPECIFIED AND/OR INDICATED: DIMENSIONS ARE TO FACE OF VIEW SHOWN AND AUTOMATICALLY ROUNDED BY COMPUTER FOR INSPECTION (SEE MATH MODEL FOR PRECISE DIMENSIONS). FOR ALL OTHER DIMENSIONS NOT SHOWN BUT REQUIRED FOR TOOL BUILD, SEE MATH MODEL FOR PRECISE TOOL PATH DATA. ALL RADII 0.4
DRAFT 15.1° MAX ON ALL OUTSIDE & INSIDE SURFACES
LOCKING FEATURES ARE IDENTICAL
- MATERIAL RECYCLING CODE >PA66< PER SAE J1344. (1.5)X(0.1) RAISED CHARACTERS AS SHOWN TO BE LOCATED ON ANY EXTERIOR SURFACE. OPTIONAL CONSTRUCTION TO BE NO MATERIAL RECYCLING CODE.
- THIS PART IS NOT CONTROLLED FOR AUTOMATIC FEEDING.
- MATING COMPONENTS OR EQUIVALENT:
CONNECTOR 15300003
MAX CABLE THAT WILL FIT PART IS Ø3.6
- (1.5)X(0.1) RAISED DELPHI CORPORATE BRAND TO BE LOCATED ON ANY EXTERIOR SURFACE, PREFERABLY VISIBLE AT FINAL ASSEMBLY. OPTIONAL CONSTRUCTION TO BE "PED" OR NO LOGO.



PART NO	STG	REV	N/P	STATUS	MATERIAL SPECIFICATION AND COLOR	VOLUME
15300015	-	12	-	-	M3592024 PA66 HS IM CRM	1.267
12162422	-	04	-	-	M3592001 PA66 IM HS BLK	1.267

DIMENSIONAL RANGE (MM)		SHORT ET	
FROM	> 0	> 30	> 70
TO	20	70	100
		150	200
		250	300
		350	400
TOLERANCE UNLESS OTHERWISE SPECIFIED			
	±0.15	±0.2	±0.3
	±0.4	±0.5	±0.6
	±0.8	±1	±1.2
ANGULAR TOLERANCE 2°			

PART DRAWING	
STYLE	
VOLUME (CH)	DISTR CODE
SEE CHART	D
UNLESS OTHERWISE SPECIFIED	
THIS DOCUMENT IS IN ACCORDANCE WITH ASME Y14.9M-1994 AS MODIFIED BY THE IN CHARGE ENGINEER AND TOLERANCE AND FINISH. ALL DIMENSIONS UNLESS OTHERWISE SPECIFIED SHALL BE PER THE FIRST DECIMAL PLACE UNLESS OTHERWISE SPECIFIED. DIMENSIONS NOT SHOWN BUT REQUIRED FOR TOOL BUILD, SEE MATH MODEL FOR PRECISE TOOL PATH DATA. ALL RADII 0.4. DRAFT 15.1° MAX ON ALL OUTSIDE & INSIDE SURFACES. LOCKING FEATURES ARE IDENTICAL. UNLESS OTHERWISE SPECIFIED, ALL DIMENSIONS ARE IN MILLIMETERS.	
THIRD ANGLE PROJECTION	
DO NOT SCALE	USE MATH DATA

DELPHI	
DELPHI PACKARD ELECTRIC SYSTEMS WARREN, OH	
DR	DATE
APV01 L. GARAY	23MY02
APV02 L. GARAY	23MY02
APV03 E. TRACEY	23MY02
APV04	
APV05	
SUBSTANCES OF CONCERN AND RECYCLED CONTENT PER DELPHI 10949001	
DRAWING NAME	
TAXI LOCK SECONDARY TPA M/P	
DRAWING NUMBER	
12162454	
SIZE	SCALE
A0	5:1
FRAME NO	SHEET NO
1 OF 1	1 OF 1
REV	N/P
03	-