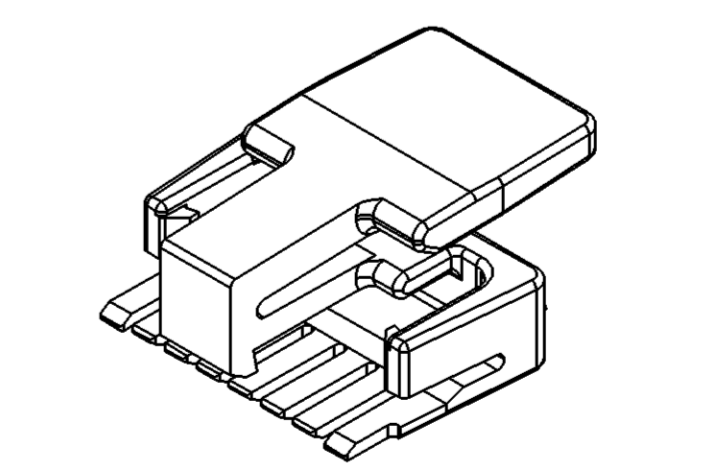
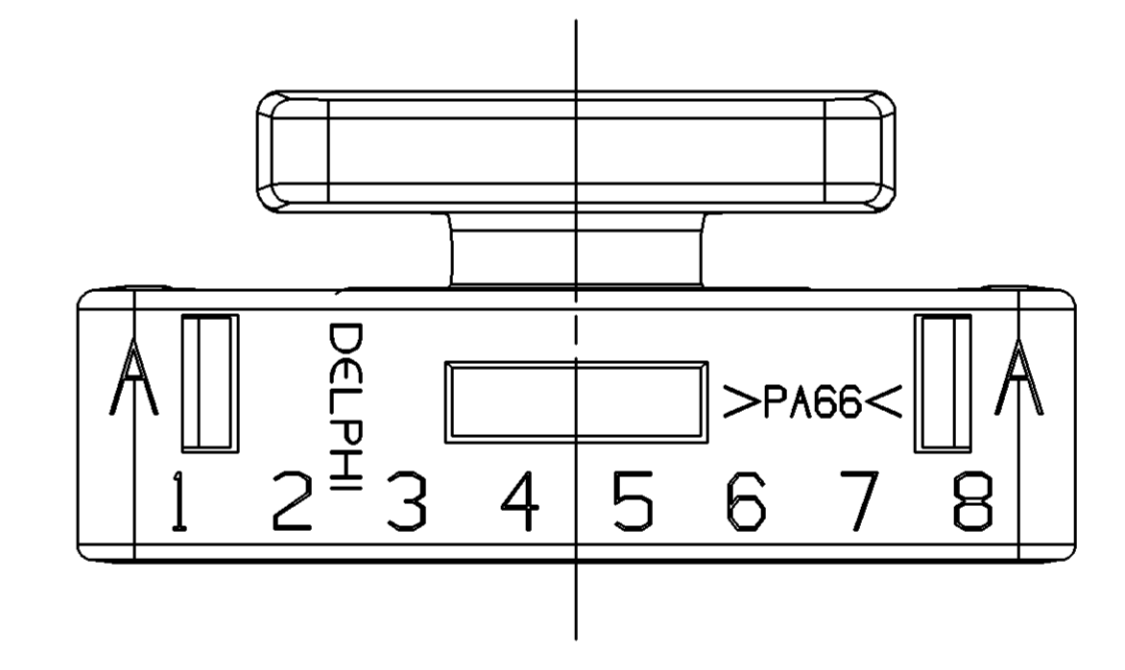
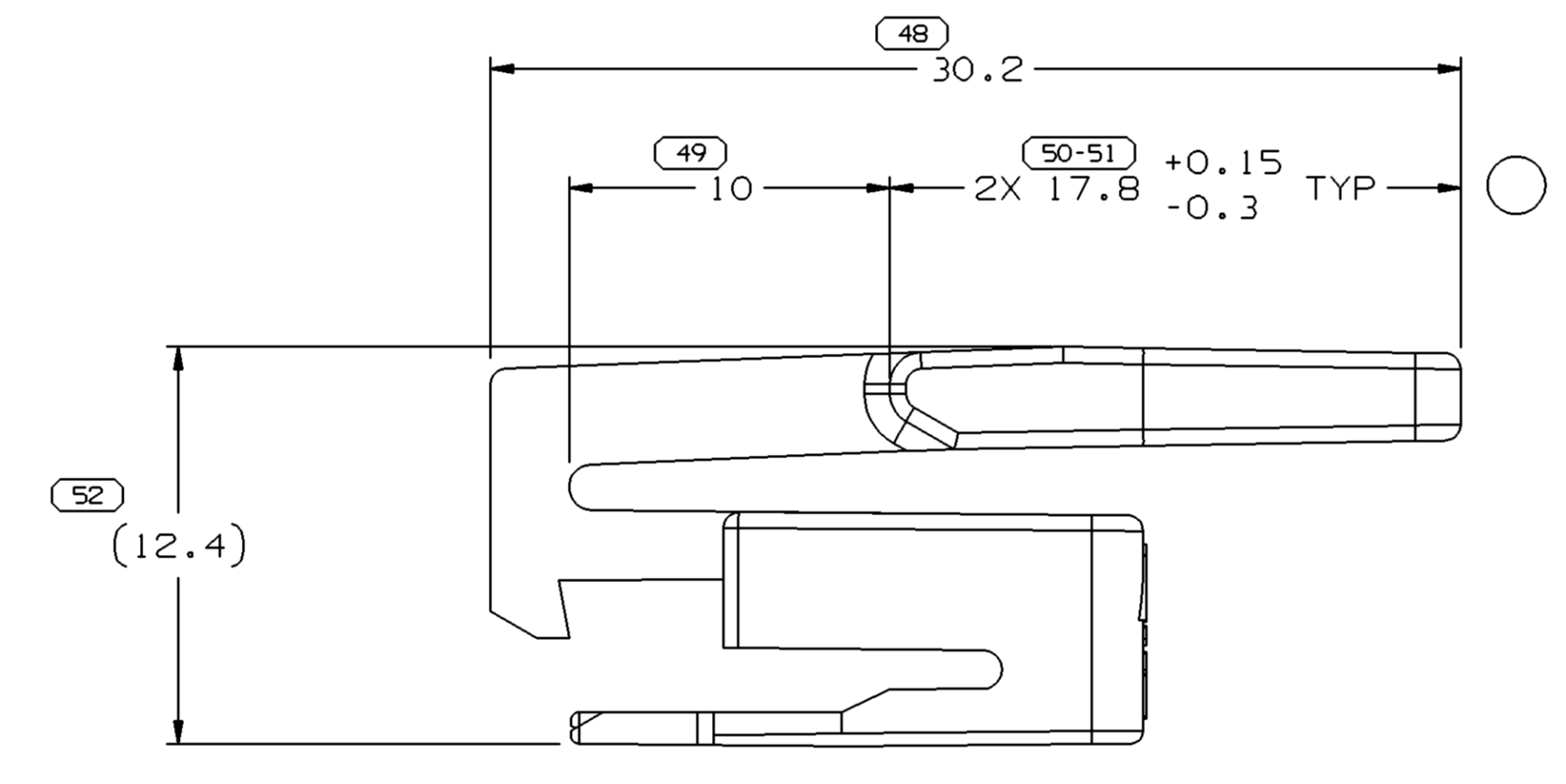
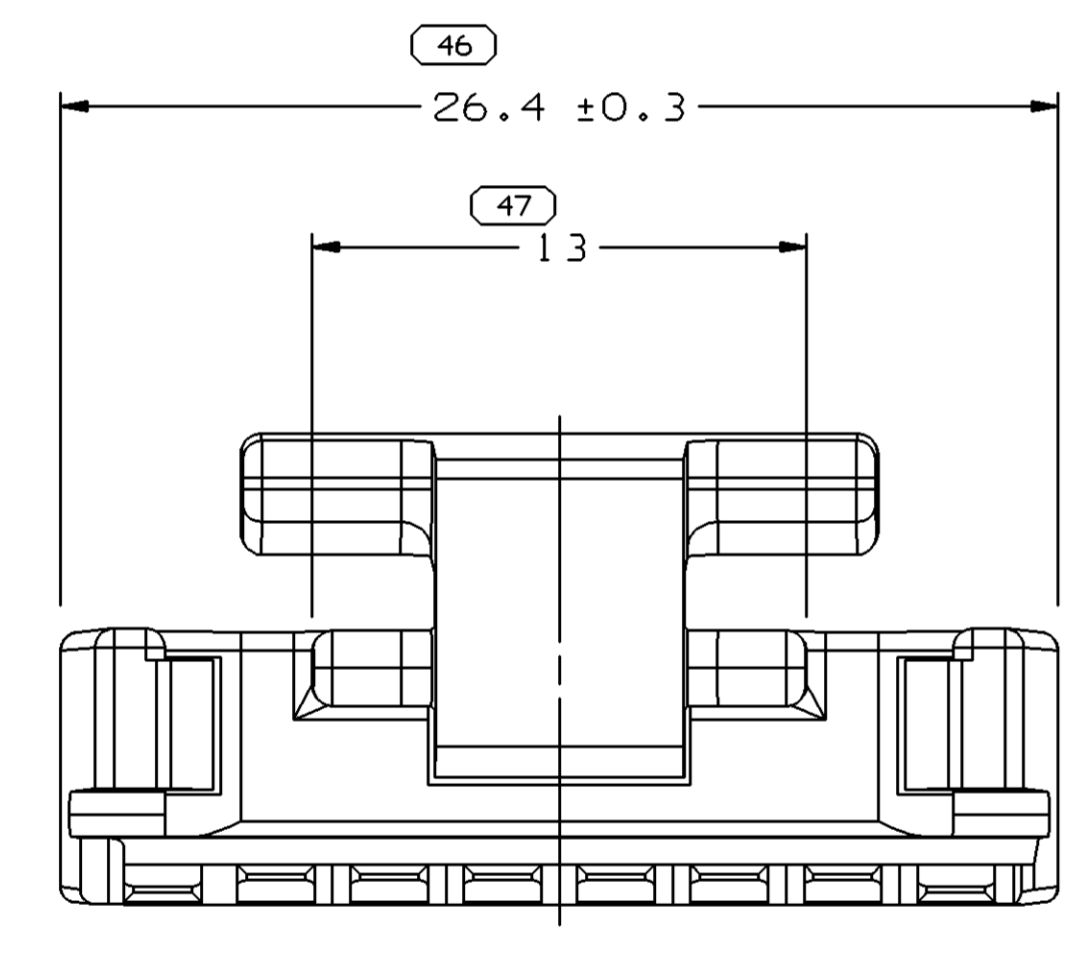
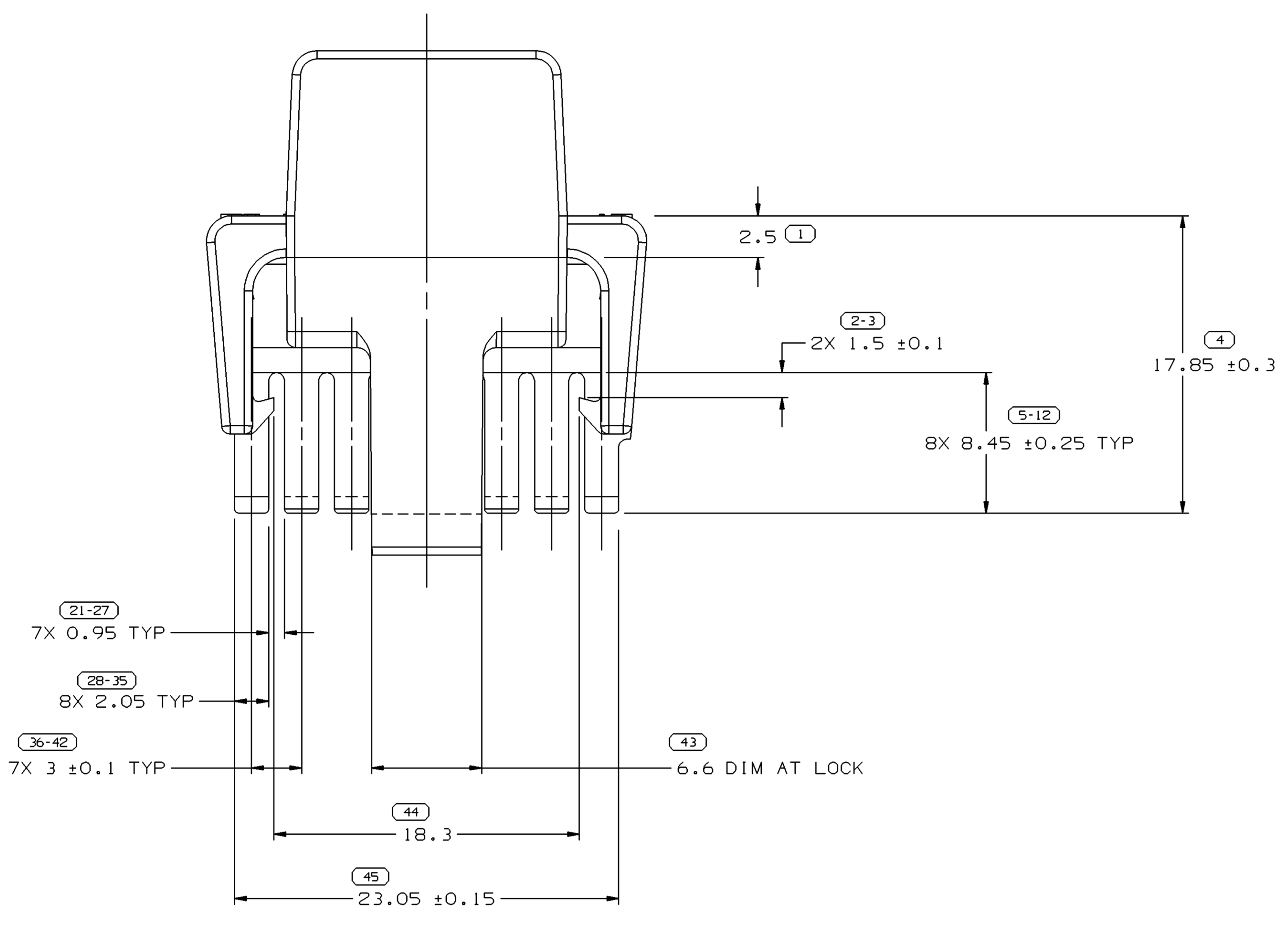


SYMBOL DEFINITION		MISSING NUMBERS		DWO STATUS				REVISION HISTORY				AUTH		DR		APVD	
A DIMENSION WITHOUT AN INSPECTION REPORT SYMBOL () DOES NOT REQUIRE INSPECTION. IT MAY BE CONTROLLED ON AN INDIVIDUAL COMPONENT DRAWING.		TOTAL NO. OF SYMBOLS ON DRAWING		13-20,				REVISED MAT'L SPEC; ADDED NOTES AND ADDED DELPHI LOGO				214229		ESF		ESF	
		LAST NO. USED						REVISED LEAD-IN ON TIPS OF COMB FINGERS				265123		ESH-JAA		RWR	
								2X 17.8 +0.15/-0.3 TYP WAS 2X 17.8 TYP				272763		EES		RR	
		16															
		52															



VIEW SCALE DOES NOT REFLECT ACTUAL PART SIZE

- NOTES
- UNLESS OTHERWISE SPECIFIED AND/OR INDICATED:
DIMENSIONS ARE TO FACE OF VIEW SHOWN AND AUTOMATICALLY ROUNDED BY COMPUTER FOR INSPECTION (SEE MATH MODEL FOR PRECISE DIMENSIONS). FOR ALL OTHER DIMENSIONS NOT SHOWN BUT REQUIRED FOR TOOL BUILD, SEE MATH MODEL FOR PRECISE TOOL PATH DATA.
 - REFERENCE MATING COMPONENTS OR EQUIVALENT:
CONNECTOR 12048346
 - MATERIAL RECYCLING CODE PER ISO 11469, (0.8)X(0.095) CHARACTERS AS SHOWN TO BE LOCATED ON ANY EXTERIOR SURFACE. OPTIONAL CONSTRUCTION TO BE NO MATERIAL RECYCLING CODE.
 - (0.8)X(0.08) DELPHI CORPORATE BRAND TO BE LOCATED ON ANY EXTERIOR SURFACE, PREFERABLY VISIBLE AT FINAL ASSEMBLY. OPTIONAL CONSTRUCTION TO BE "PED" OR NO LOGO.

DIMENSIONAL RANGE (MM)		TOLERANCE UNLESS OTHERWISE SPECIFIED		CHART ET	
FROM	TO	±	ANGULAR TOLERANCE	±	ANGULAR TOLERANCE
> 0	> 20	> 0.15	±0.1	> 0.1	±0.1
> 20	> 30	> 0.2	±0.15	> 0.15	±0.15
> 30	> 40	> 0.25	±0.2	> 0.2	±0.2
> 40	> 50	> 0.3	±0.25	> 0.25	±0.25
> 50	> 60	> 0.35	±0.3	> 0.3	±0.3
> 60	> 70	> 0.4	±0.35	> 0.35	±0.35
> 70	> 80	> 0.45	±0.4	> 0.4	±0.4
> 80	> 90	> 0.5	±0.45	> 0.45	±0.45
> 90	> 100	> 0.55	±0.5	> 0.5	±0.5
> 100	> 150	> 0.6	±0.6	> 0.6	±0.6
> 150	> 200	> 0.7	±0.7	> 0.7	±0.7
> 200	> 250	> 0.8	±0.8	> 0.8	±0.8
> 250	> 300	> 0.9	±0.9	> 0.9	±0.9
> 300	> 400	> 1.0	±1.0	> 1.0	±1.0

DWO TYPE		PART DRAWING	
STYLE		DISTR CODE	D
VOLUME (COP)	2,535		
UNLESS OTHERWISE SPECIFIED			
THIS DOCUMENT IS IN ACCORDANCE WITH ASME Y14.5M-1994 AS AMENDED BY THE 2003 DIMENSIONING AND TOLERANCING ADDENDUM (2003). SEPARATE PATTERNING OF FEATURES MAY BE GIVEN SEPARATELY REGARDLESS OF DATUM REFERENCES.			
ALL DIMENSIONS ARE IN MILLIMETERS			
REFERENCE			
THIRD ANGLE PROJECTION			
DO NOT SCALE			
USE MATH DATA			

DELPHI
DELPHI PACKARD ELECTRIC SYSTEMS
WARREN, OH

DR	DATE
APVD1 F. HESTON	26 JUN 84
APVD2 F. HESTON	26 JUN 84
APVD3 J. GLADD	16 AUG 84
APVD4	
APVD5	

SUBSTANCES OF CONCERN AND RECYCLED CONTENT PER DELPHI 10949001

MATERIAL: M3592008 PA66 HS 1M BLU

DRAWING NAME: LOCK TPA MIC/P 100 16 BLU

DRAWING NUMBER: 12048344

SIZE: A0 SCALE: 5:1 FRAME NO: 1 SHEET NO: 1 OF 1 15th REV: 05 AA