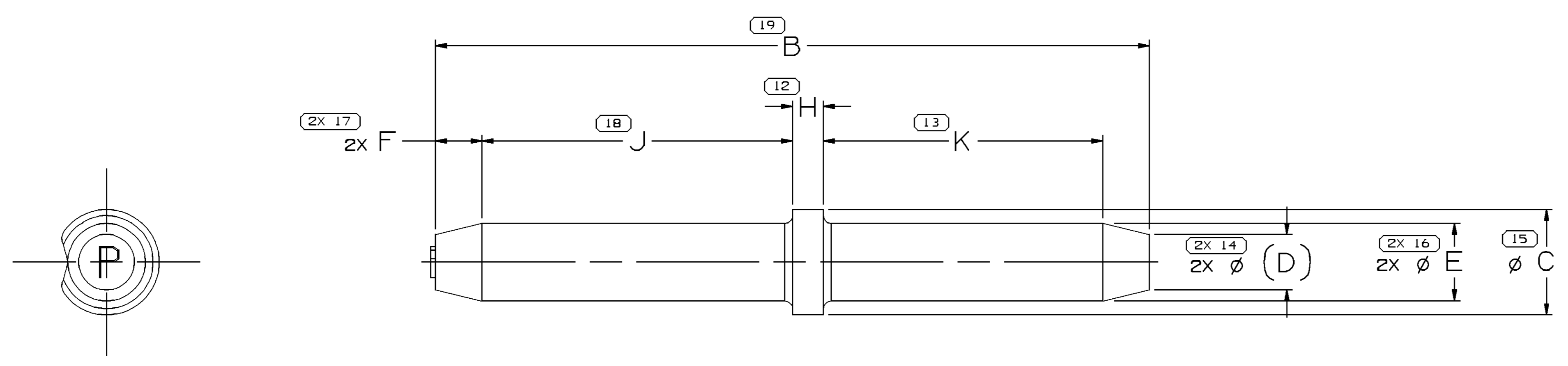
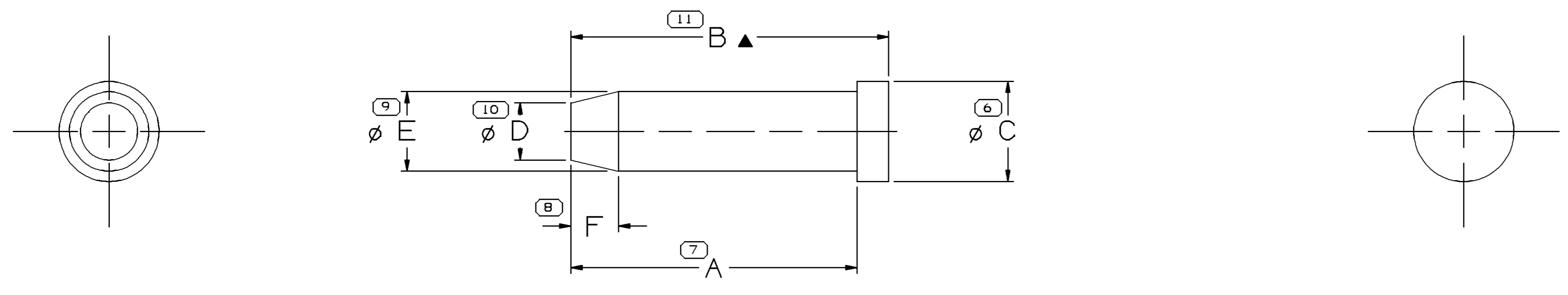
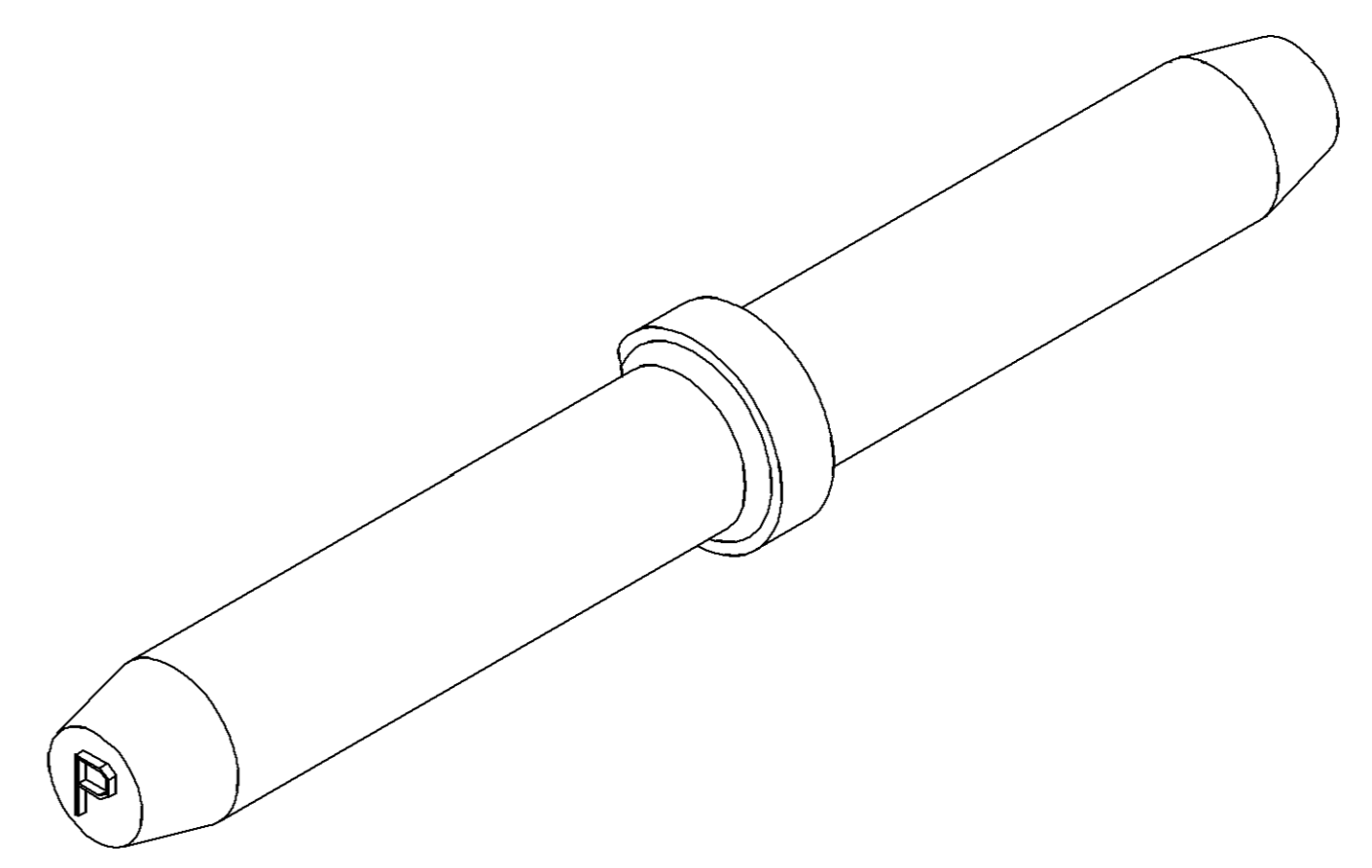


| SYMBOL DEFINITION | | TOTAL NO OF INSPECTIONS REQUIRED | 22 |
|--|--|----------------------------------|----|
| A DIMENSION WITHOUT AN INSPECTION REPORT SYMBOL DOES NOT REQUIRE INSPECTION. IT MAY BE CONTROLLED ON THE INDIVIDUAL COMPONENT DRAWING. | | LAST NO. USED | 19 |

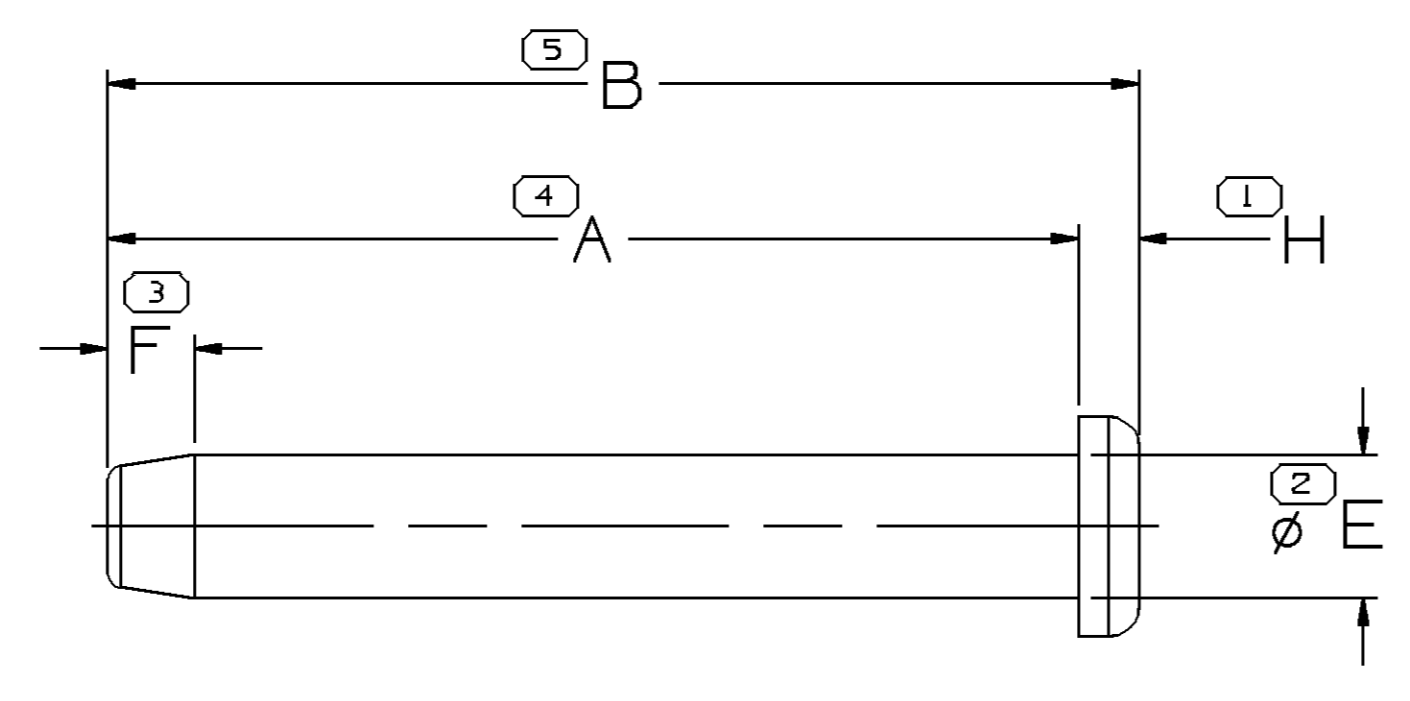
| MISSING SYMBOLS | | NO MISSING SYMBOL NUMBER | |
|-----------------|-----|--------------------------|-----|
| DATE | STG | REV | N/P |
| 20AU03 | R | 01 | - |
| 15FE05 | R | 02 | - |
| 20JN05 | R | 03 | - |
| 26AU05 | R | 04 | - |
| 30SE05 | R | 05 | - |
| 27FE06 | R | 06 | - |
| 08MY07 | R | 07 | - |



TYPE 101
ALL METRI-PACK PULL TO SEAT
-HAND INSERTION ONLY-



TYPE 102
ALL METRI-PACK PULL TO SEAT
-MACHINE INSERTION ONLY-



TYPE 103
ALL MICRO-PACK 100W
-HAND INSERTION ONLY-

OPTIONAL CONSTRUCTION

- NOTES
- UNLESS OTHERWISE SPECIFIED AND/OR INDICATED:
DIMENSIONS ARE TO FACE OF VIEW SHOWN AND AUTOMATICALLY ROUNDED BY COMPUTER FOR INSPECTION (SEE MATH MODEL FOR PRECISE DIMENSIONS). FOR ALL OTHER DIMENSIONS NOT SHOWN BUT REQUIRED FOR TOOL BUILD, SEE MATH MODEL FOR PRECISE TOOL PATH DATA.
 - THIS PART IS CONTROLLED FOR AUTOMATIC FEEDING AS DENOTED ON DRAWING WITH ▲.
 - REFERENCE MATING COMPONENTS OR EQUIVALENT:
SEAL SEE CHART

| PART NO | REV | N/P | STATUS | MATERIAL SPECIFICATION AND COLOR | TYPE | A | B | ∅C | ∅(D) | ∅E ± 0.1 | F | G _{MAX} | H | J | K | MATING SEAL | CABLE RANGE | VOLUME |
|----------|-----|-----|----------|-----------------------------------|------|-------|----------|--------------|------|------------|---------------|------------------|-----|----|---|-------------|-------------|--------|
| 13544665 | 01 | AA | - | POLYBUTYLENE TEREPHTHALATE-BLU LT | 103 | 12.85 | 13.65 | 2.9+/-0.1 | - | 1.9+/-0.15 | 1.15 | 9 | 0.8 | - | - | 12146093 | 1.47/2.12 | 0.040 |
| 15318164 | A1 | - | - | POLYAMIDE - BLUE | 103 | 12.85 | 13.65 | 2.5+0.0/-0.1 | - | 1.9+/-0.1 | 1.15 | 9 | 0.8 | - | - | 15355191 | 1.47/1.83 | - |
| 12129557 | D8 | - | - | POLYAMIDE - BLUE | 103 | 12.85 | 13.65 | 2.9+/-0.1 | - | 1.9+/-0.15 | 1.15 | 9 | 0.8 | - | - | 12146093 | 1.47/2.12 | 0.040 |
| 12110732 | A | - | OBSOLETE | POLYAMIDE - RED | 102 | 9 | 10▲ | 3.15▲ | 2.2 | 2.9 | 1.5+0.2/-0.15 | 1.5 | - | - | - | 12034364 | 2.5/3.3 | - |
| 12065266 | C10 | - | - | POLYAMIDE - GRAY MD | 102 | 9 | 10▲ | 3.15▲ | 1.8 | 2.5 | 1.5+/-0.3 | 1.5 | - | - | - | 12064810 | 2/2.4 | 0.050 |
| 12034413 | C10 | - | - | POLYAMIDE - BLACK | 101 | - | 23+/-0.3 | 3.4+/-0.2 | 1.8 | 2.5 | 1.5+/-0.3 | 1.25 | 1 | 10 | 9 | 12064810 | 2/4 | 0.113 |

| DIMENSIONAL RANGE (MM) | TOLERANCE |
|------------------------|-----------|
| FROM > 0 | > 20 |
| TO 20 | ± 0.2 |
| 20 | ± 0.3 |
| 70 | ± 0.4 |
| 100 | ± 0.5 |
| 150 | ± 0.6 |
| 200 | ± 0.8 |
| 250 | ± 1.0 |
| 300 | ± 1.2 |
| 400 | ± 1.5 |

| DWG TYPE | PART DRAWING |
|--|--------------|
| STYLE | |
| VOLUME (10/1) | DISTR CODE |
| UNLESS OTHERWISE SPECIFIED | |
| THIS DOCUMENT IS IN ACCORDANCE WITH ASME Y14.5M-1994 AS AMENDED BY THE IN-SITU DIMENSIONING AND TOLERANCE ADDENDUM-2001. SEPARATE WRITINGS OF FEATURES MAY BE BASED SEPARATELY REGARDLESS OF DIMENSION REFERENCES. | |
| ALL DIMENSIONS ARE IN MILLIMETERS | |
| THIRD ANGLE PROJECTION | |
| DO NOT SCALE | |
| USE MATH DATA | |

DELPHI
DELPHI PACKARD ELECTRICAL/ELECTRONIC ARCHITECTURE
WYREN, OH

| DR | DATE |
|------------------|--------|
| APV01 J.GAVALDON | 20AU03 |
| APV02 J.GAVALDON | 20AU03 |
| APV03 G.ORANTES | 22AU03 |
| APV04 | |

SUBSTANCES OF CONCERN AND RECYCLED CONTENT PER DELPHI 10949001

MATERIALS SEE CHART

DRAWING NAME
TAXI SEAL CBL 1W HOLE PLUG

DRAWING NUMBER
12110800

SIZE A0 SCALE 10:1 FRAME NO 1 OF 1 SHEET NO 1 REV N/P R 07