

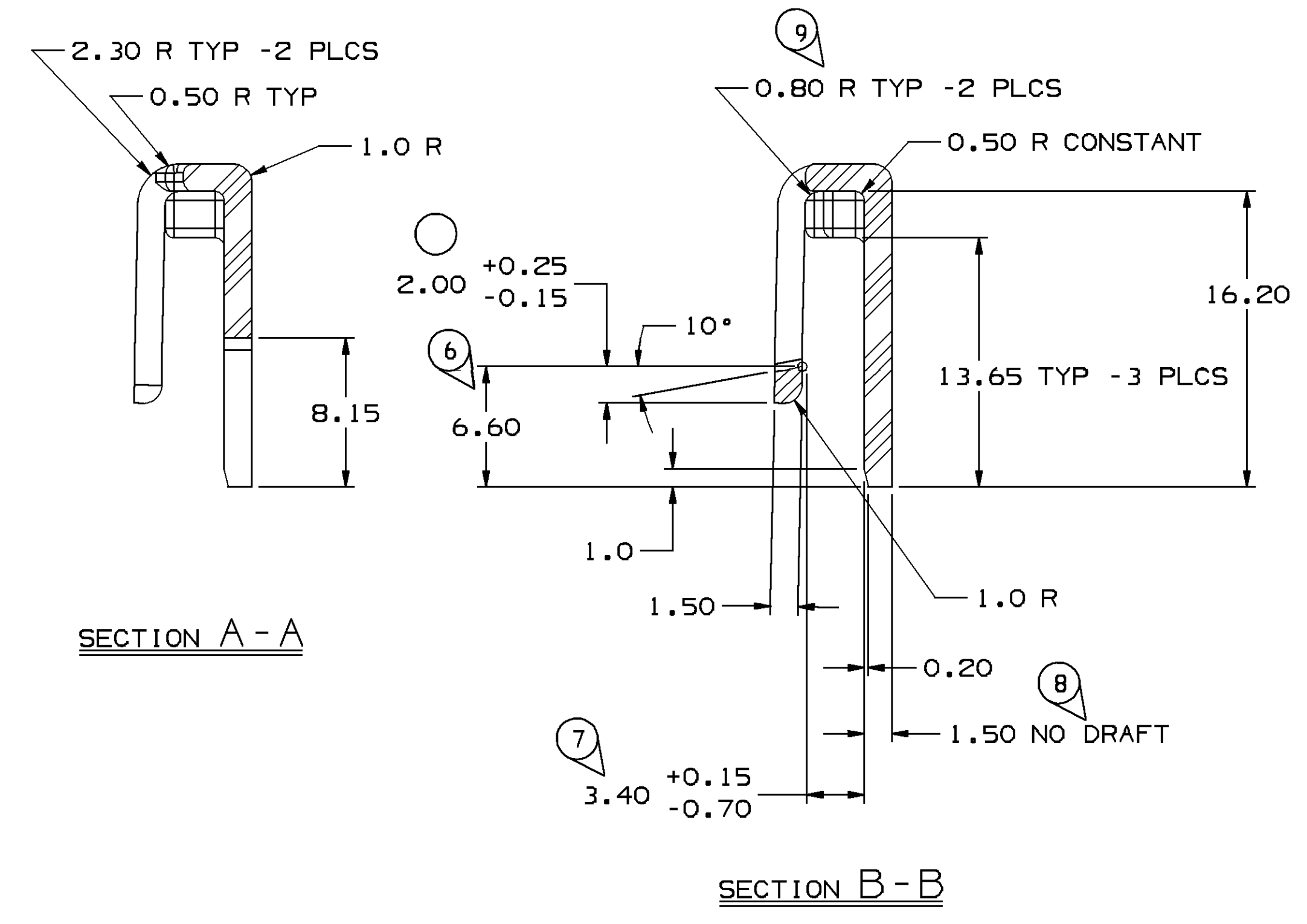
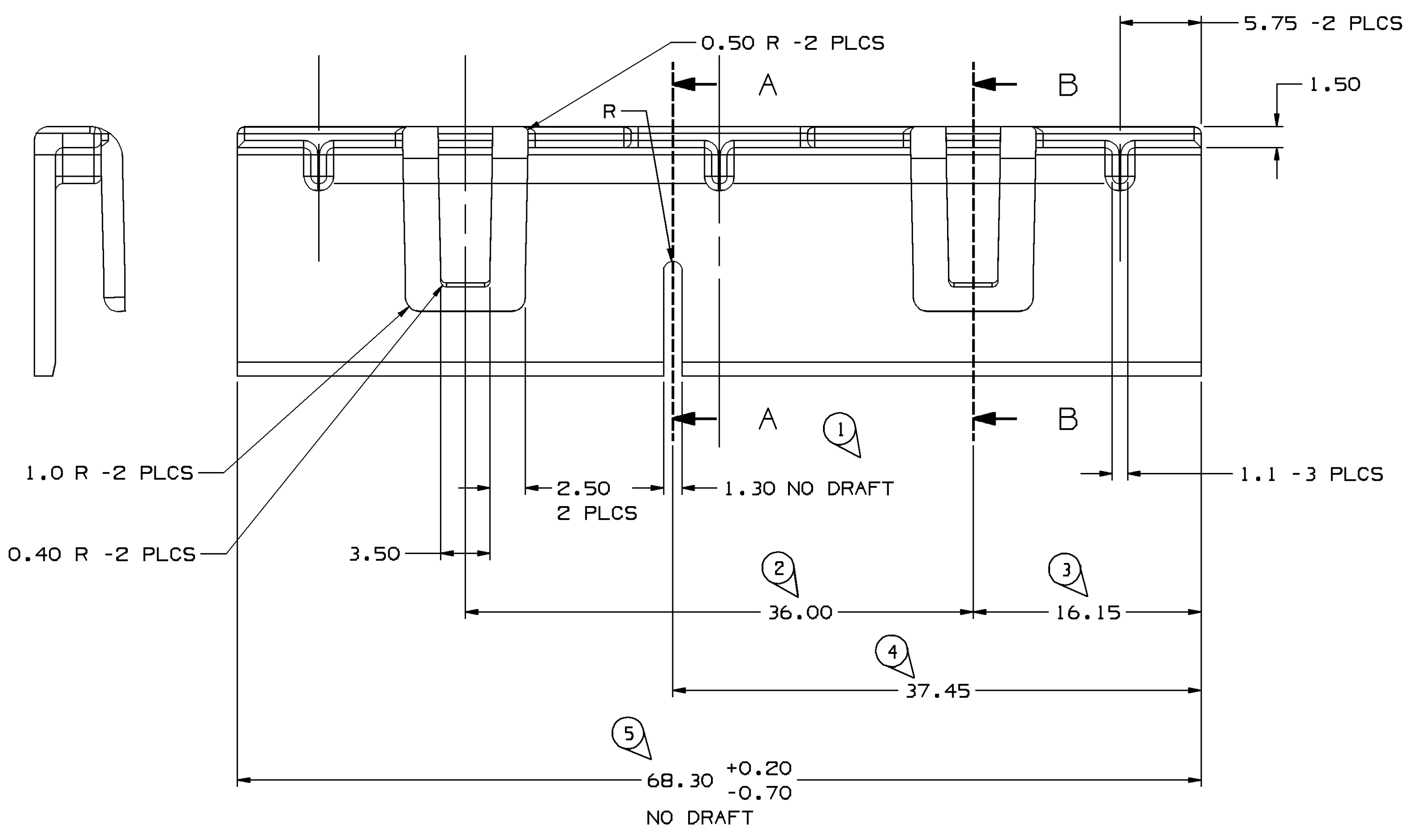
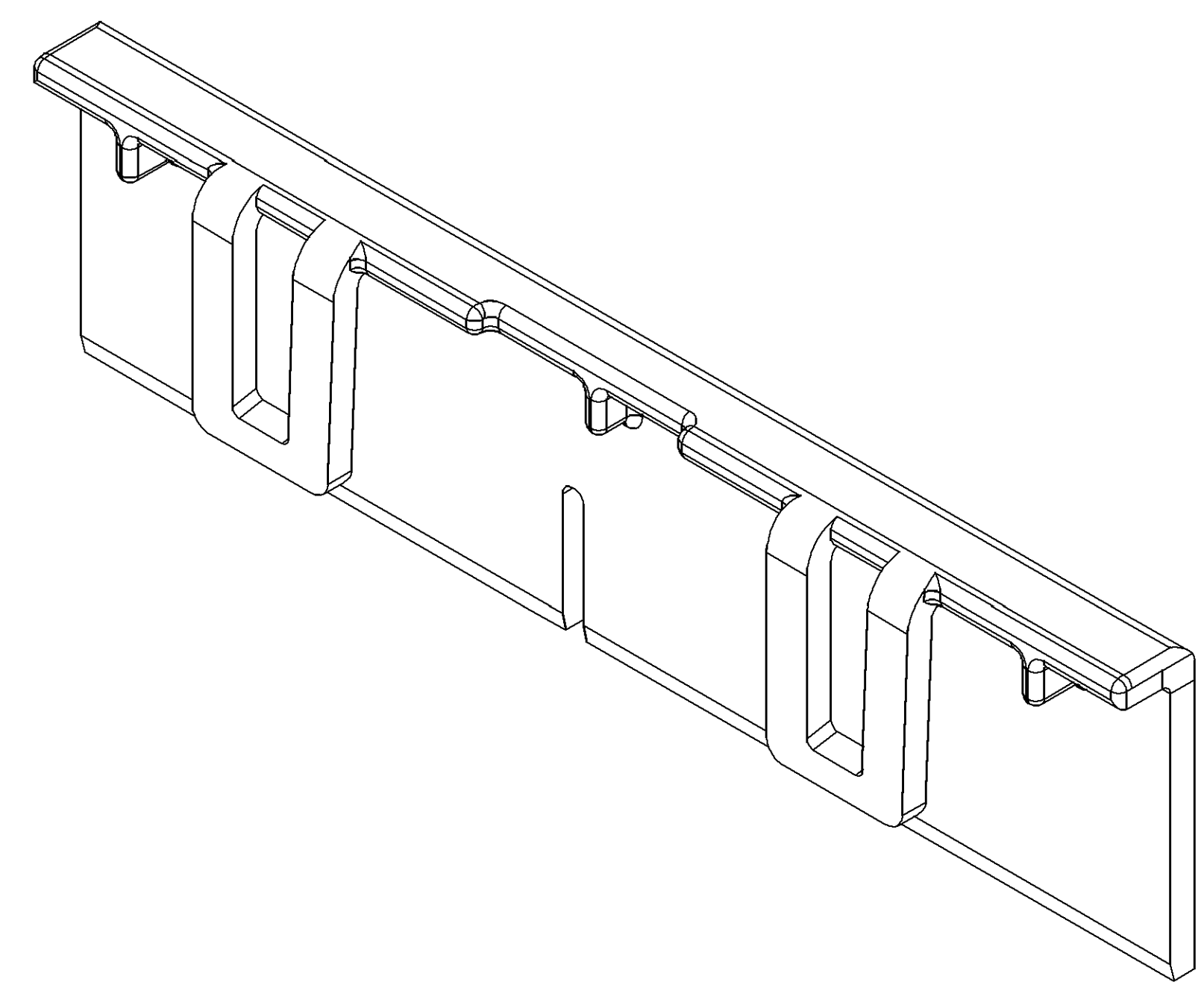
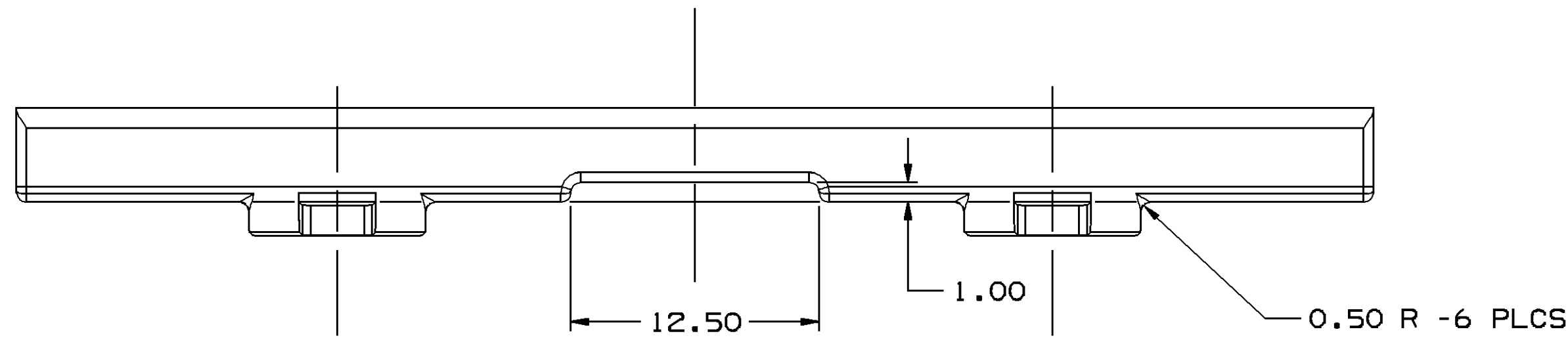
THIS DRAWING AND/OR ELECTRONIC FILE, AND THE DESIGN HEREON, CONSTITUTES A PROPRIETARY DESIGN OF DELPHI PACKARD ELECTRIC SYSTEMS, AND IS NOT TO BE DUPLICATED OR REPRODUCED EXCEPT TO PRODUCE GOODS AND SERVICES TO DELPHI AUTOMOTIVE SYSTEMS. DO NOT SCALE

PART NO
1209 2251

SNOWCONE CHARACTERISTICS

"O" DENOTES DIMENSIONS AND CHARACTERISTICS THAT ARE IMPORTANT TO THE FUNCTION AND/OR PROCESSING OF THE PART THAT HAVE SPECIAL ACCEPTANCE CRITERIA FOR PRODUCTION APPROVAL.	TOTAL ON DRAWING	9
	LAST NO. USED	9

DATE	SYM	REVISION RECORD	AUTH	DR	CK
21AP88	A	DRAWING COMPLETED		JMS	
08JL88	B	REVISED		JMS	
13DE88	C	DIM 3.40 WAS 2.40 AND 12.50 X 1.00 RECESS ADDED		WLS	
18JAB9		WAS PE012764 AND RELEASED	890005	CDH/CDH	
17AUB9	C1	3.40 +0.15/-0.70 WAS 3.40	129296	BDG/BDG	
10AP90	C2	MAT'L SPEC WAS R0071592	134226	BAR/BAR	
03JN93	D	MAT'L SPEC WAS R0071780	155894	RLB/BKD	
07AP98	D1	REDRAWN & 68.30±0.20/-0.70 WAS 68.30±0.20	186344	EAR/IMP	
25OC06	D2	2.00 +0.25/-0.15 WAS 2.00 ±0.15	286257	JTZ/JVM	



PART NO
1209 2251

NOTES

- UNLESS OTHERWISE SPECIFIED AND/OR INDICATED: DIMENSIONS ARE TO FACE OF VIEW SHOWN AND AUTOMATICALLY ROUNDED BY COMPUTER FOR INSPECTION. (SEE MATH MODEL FOR PRECISE DIMENSIONS.) FOR ALL OTHER DIMENSIONS NOT SHOWN BUT REQUIRED FOR TOOL BUILD, SEE MATH MODEL FOR PRECISE TOOL PATH DATA. ALL RADII 0.50 DRAFT IS 1° ON ALL OUTSIDE SURFACES LOCKING FEATURES ARE IDENTICAL
- THIS PART IS NOT CONTROLLED FOR AUTOMATIC FEEDING.
- MATING COMPONENTS OR EQUIVALENT: CONNECTOR 12092248, 12092249

DRAWING TYPE DETAIL/PID	OTHER DRAWINGS AVAILABLE
Uigraphics	THIRD ANGLE PROJECTION
CODE NO 6900 -C-4004	METRIC DIMENSIONS ARE IN MILLIMETERS UNLESS OTHERWISE SPECIFIED
DWG DATE 21AP88	SCALE 4:1
REFERENCE NO	DES DR JOHN M. SOVA 21AP88 CK C.D. HOOPES 18JAB9 APPR R.J. BLASKO 18JAB9 VOL CM ³ 2.313
MATERIAL SPEC M3592008 PA66 HS IM BLU	NAME TPA ACT 280
PART NUMBER 1209 2251	SIZE A1

TOLERANCE UNLESS OTHERWISE SPECIFIED	DECIMAL: ANGULAR ± 2°
ONE PLACE ± 0.3	
TWO PLACE ± 0.15	

DELPHI PACKARD ELECTRIC SYSTEMS
WARREN, OHIO 44466