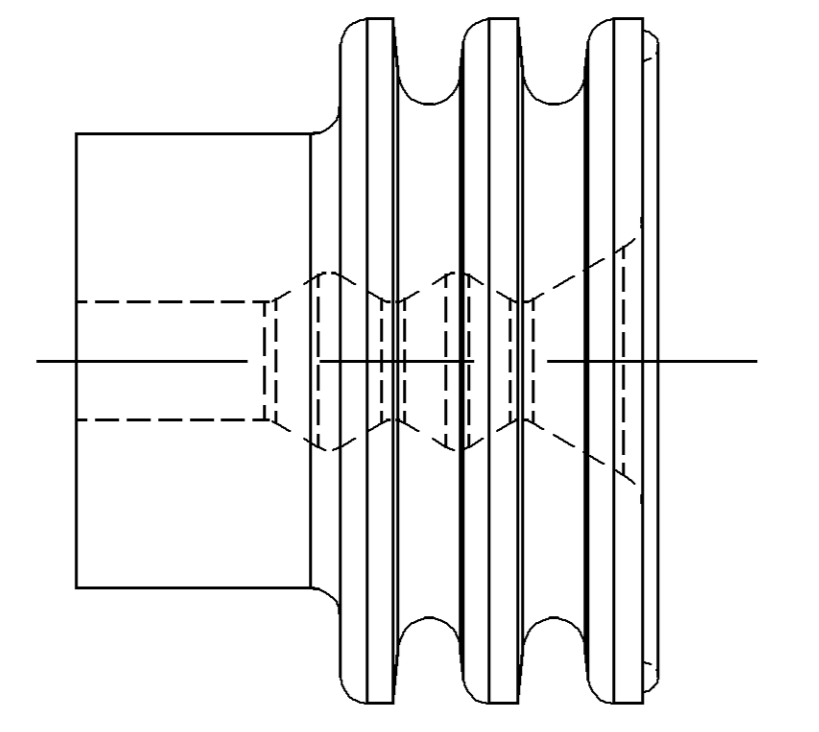
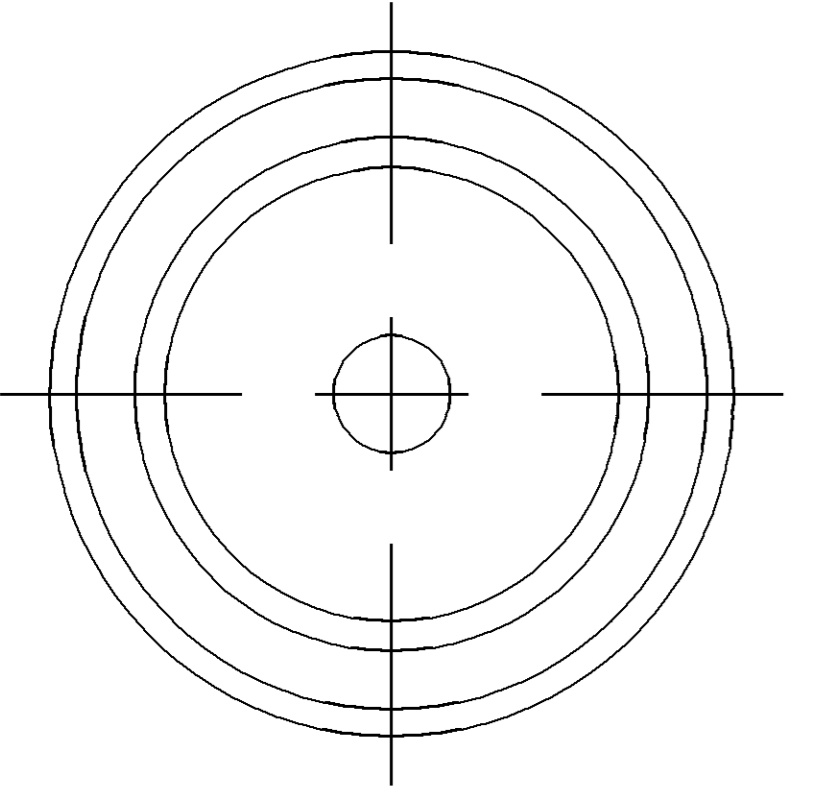
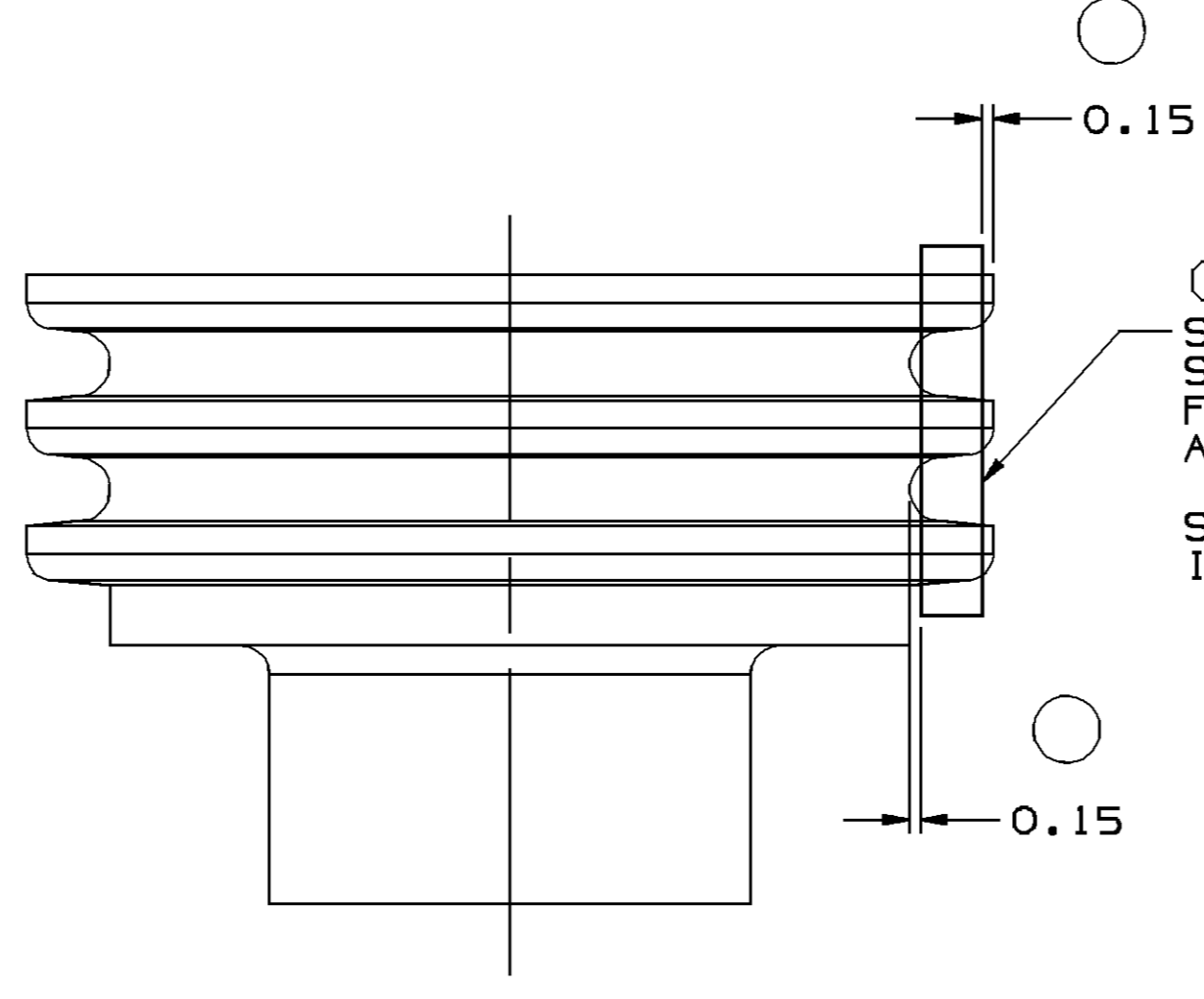


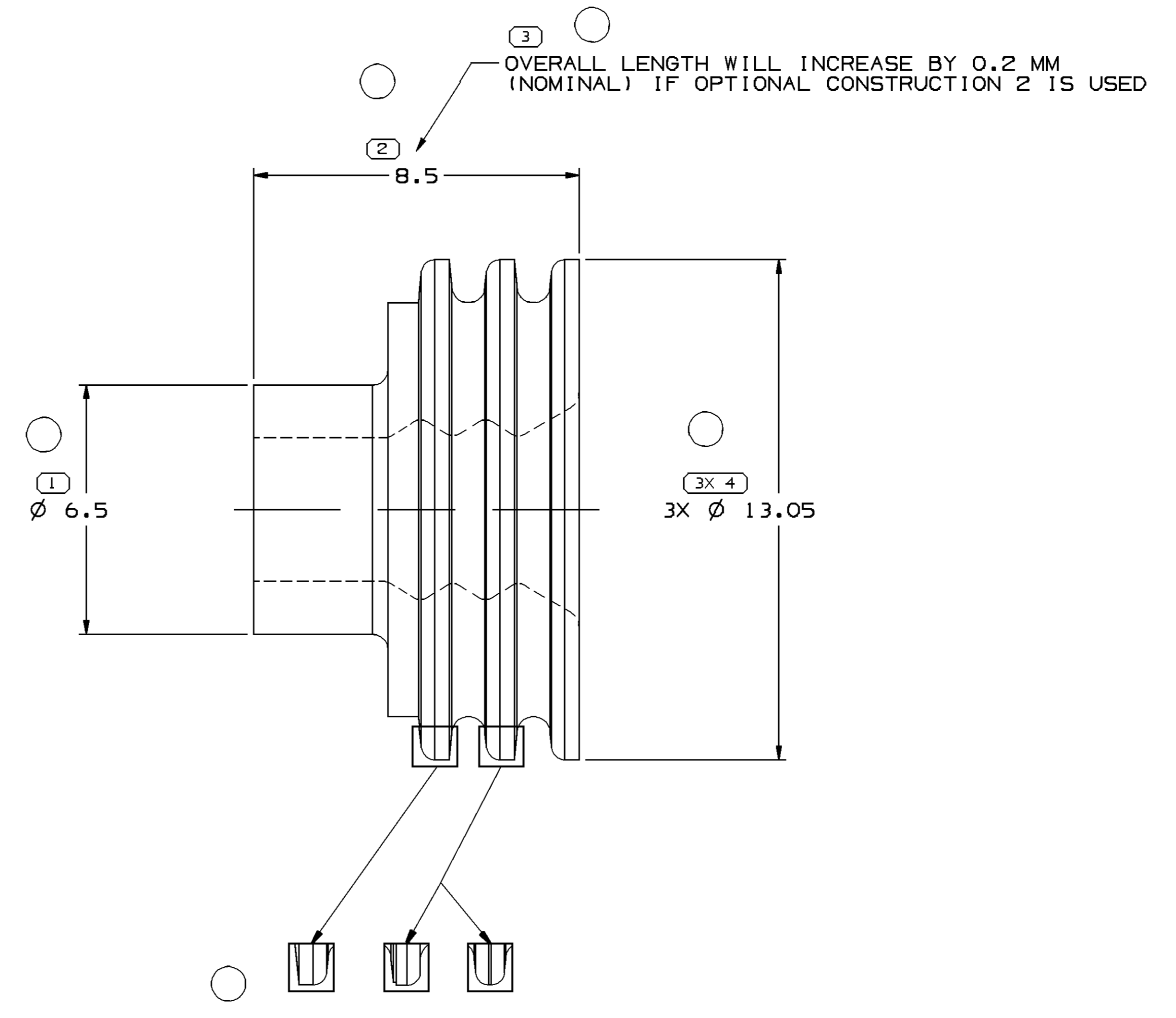
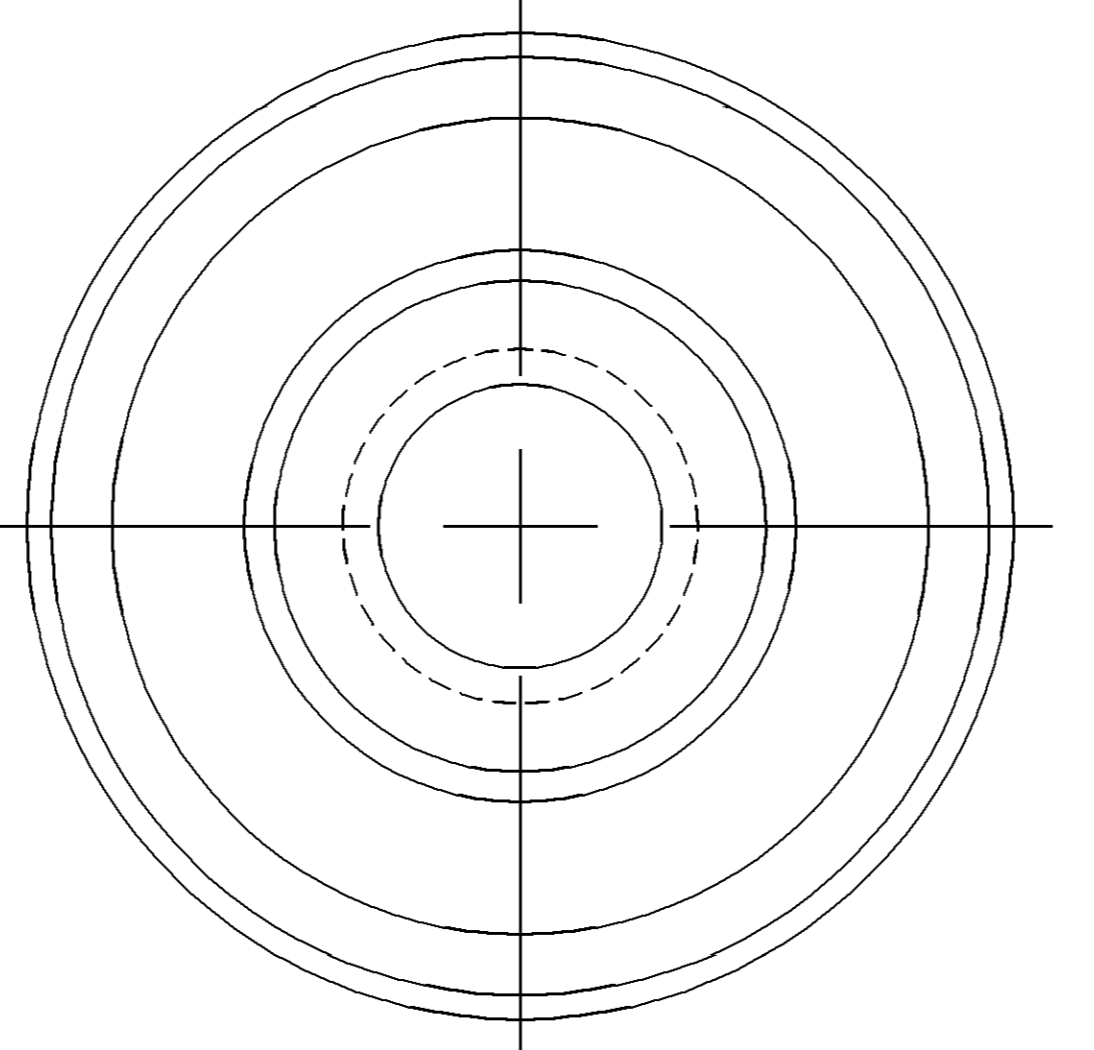
OPTIONAL CONSTRUCTION 1
(ANTI-STICK RING)



OPTIONAL CONSTRUCTION 2
THIS IS THE PREFERRED CONSTRUCTION FOR NEW TOOL BUILDS
(ANTI-STICK RING)



SEALING RIBS MUST BE FREE OF SINKS, VOIDS, KNIT LINES AND FLASH, IN THE AREA SHOWN ALL AROUND PART.
SEE VPS A-121 FOR ADDITIONAL INFORMATION



OVERALL LENGTH WILL INCREASE BY 0.2 MM (NOMINAL) IF OPTIONAL CONSTRUCTION 2 IS USED

SEALING RIBS MAY DIFFER AS SHOWN

NOTES

- UNLESS OTHERWISE SPECIFIED AND/OR INDICATED: DIMENSIONS ARE TO FACE OF VIEW SHOWN AND AUTOMATICALLY ROUNDED BY COMPUTER FOR INSPECTION. (SEE MATH MODEL FOR PRECISE DIMENSIONS.) FOR ALL OTHER DIMENSIONS NOT SHOWN BUT REQUIRED FOR TOOL BUILD, SEE MATH MODEL FOR PRECISE TOOL PATH DATA.
- PARTS ARE TO BE PACKAGED IN SEALED PLASTIC BAGS. GROSS WEIGHT INCLUDING CARTON IS NOT TO EXCEED 34 POUNDS.
- PART NO 12129381 ASSEMBLES TO TERMINAL & SPRING ASSEMBLY 12129414 OR EQUIVALENT.
- CABLE SEAL DESIGNED FOR CABLE CRIMPED TO 800 SERIES TERMINALS.

SYMBOL DEFINITION		TOTAL NO OF INSPECTIONS REQUIRED	MISSING SYMBOLS
A DIMENSION WITHOUT AN INSPECTION REPORT SYMBOL DOES NOT REQUIRE INSPECTION. IT MAY BE CONTROLLED ON THE INDIVIDUAL COMPONENT DRAWING.		7	NO MISSING SYMBOL NUMBER
	LAST NO. USED	5	

DWG STATUS				REVISION HISTORY				AUTH		DR		AP/VD	
DATE	STG	REV	N/P	CHG	ZONE	REV	DESCRIPTION	DATE	BY	REV	DESCRIPTION	DATE	BY
23JUL02	R	08	-	-	-	1	CLEARED REV COL: 15393982 - OBSOLETE	225182	AFM	JAN	JR		
030006	R	09	-	-	-	2	ALL ACTIVE PARTS - REMOVED A,C,F,G & TYPE COLUMNS FROM CHART, TYPE 702, OPTIONAL CONSTRUCTION FOR TYPE 701 & 702 VIEWS, MAT'L SPEC NOTE AND DIMS (1 PLCS); ADDED MAT'L SPEC NUMBER TO CHART; ALTERNATE MAT'L SPEC, SEALING RIBS LABEL, OVERALL LENGTH LABEL, SEALING RIBS VIEWS & NOTE, DIMS (2 PLCS) AND ANTI-STICK RING OPTIONAL CONSTRUCTION VIEWS; DIM Ø 6.5 WAS Ø 6, DIM 8.5 WAS F, DIM Ø 13.5 WAS Ø 6; 12129381 & 15336703 - RESTRICTED	205230	JBD	FEB	MPR		

PART NO	REV	N/P	STATUS	PART NO	REV	N/P	STATUS	MATERIAL SPEC	COLOR	CABLE O.D.	ALTERNATE MATERIAL SPEC	CAVITY	VOL CM³	EQUIVALENT CABLE SEAL
15393982	01	AD	OBSOLETE	M4361029				TAN	4.7-4.54	-		12.5	0.479	-
15336703	A3	-	RESTRICTED	M226100B				BLUE	4.5-3.61	-		12.5	0.593	15324999
15324999	01	AE	-	M346900B				BLUE	4.5-3.61	M346600B		12.5	0.593	15336703
15324998	01	AE	-	M3469037				DARK RED	4.7-4.54	M3466037		12.5	0.560	12129381
12129381	F5	-	RESTRICTED	M2261019				DARK RED	4.7-4.54	-		12.5	0.560	15324998

DIMENSIONAL RANGE (MM)		TOLERANCE UNLESS OTHERWISE SPECIFIED		ANGULAR TOLERANCE 2θ	
FROM	TO	±	MSD	±	MSD
> 0	> 30	±0.15	±0.2	±1	±1.2
> 30	> 70	±0.2	±0.3	±1	±1.2
> 70	> 100	±0.3	±0.4	±1	±1.2
> 100	> 150	±0.4	±0.5	±1	±1.2
> 150	> 200	±0.5	±0.6	±1	±1.2
> 200	> 250	±0.6	±0.7	±1	±1.2
> 250	> 300	±0.7	±0.8	±1	±1.2
> 300	> 400	±0.8	±1.0	±1	±1.2

DELPHI
DELPHI PACKARD ELECTRIC SYSTEMS
WARREN, OH

DR: APV01 J. COLDSNOW 160C91
APV02 J. COLDSNOW 160C91
APV03 R. MAGA 180C91
APV04
APV05

SUBSTANCES OF CONCERN AND RECYCLED CONTENT PER DELPHI 1094001

MATERIAL: SEE CHART

DRAWING NAME: TAXI SEAL CBL IW M/P

DRAWING NUMBER: 12010295

SCALE: 10:1
SHEET NO: 1 OF 1
REV: R 09