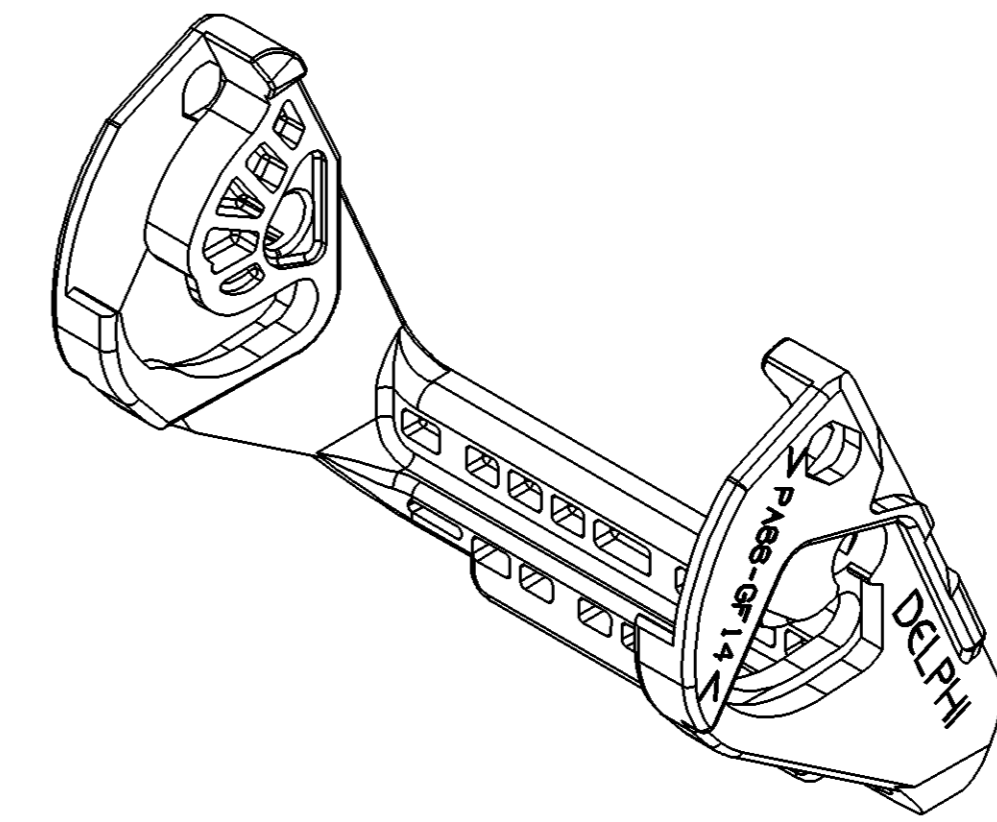
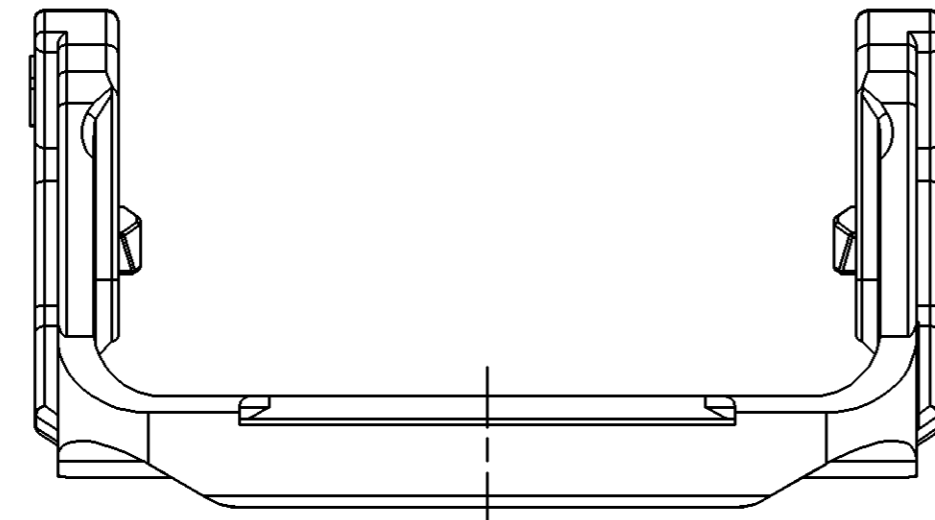
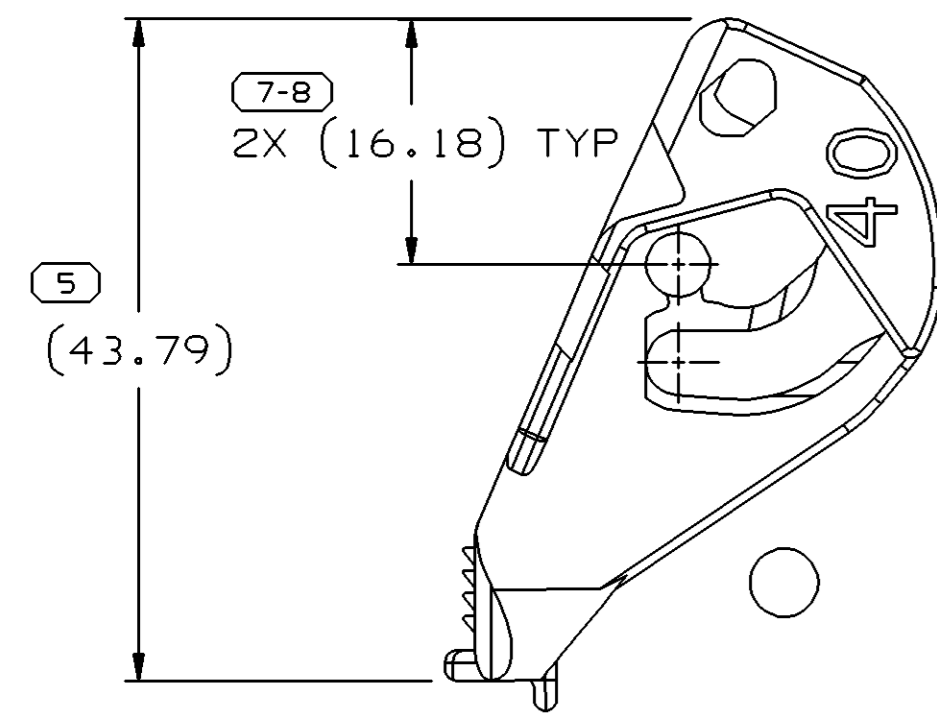
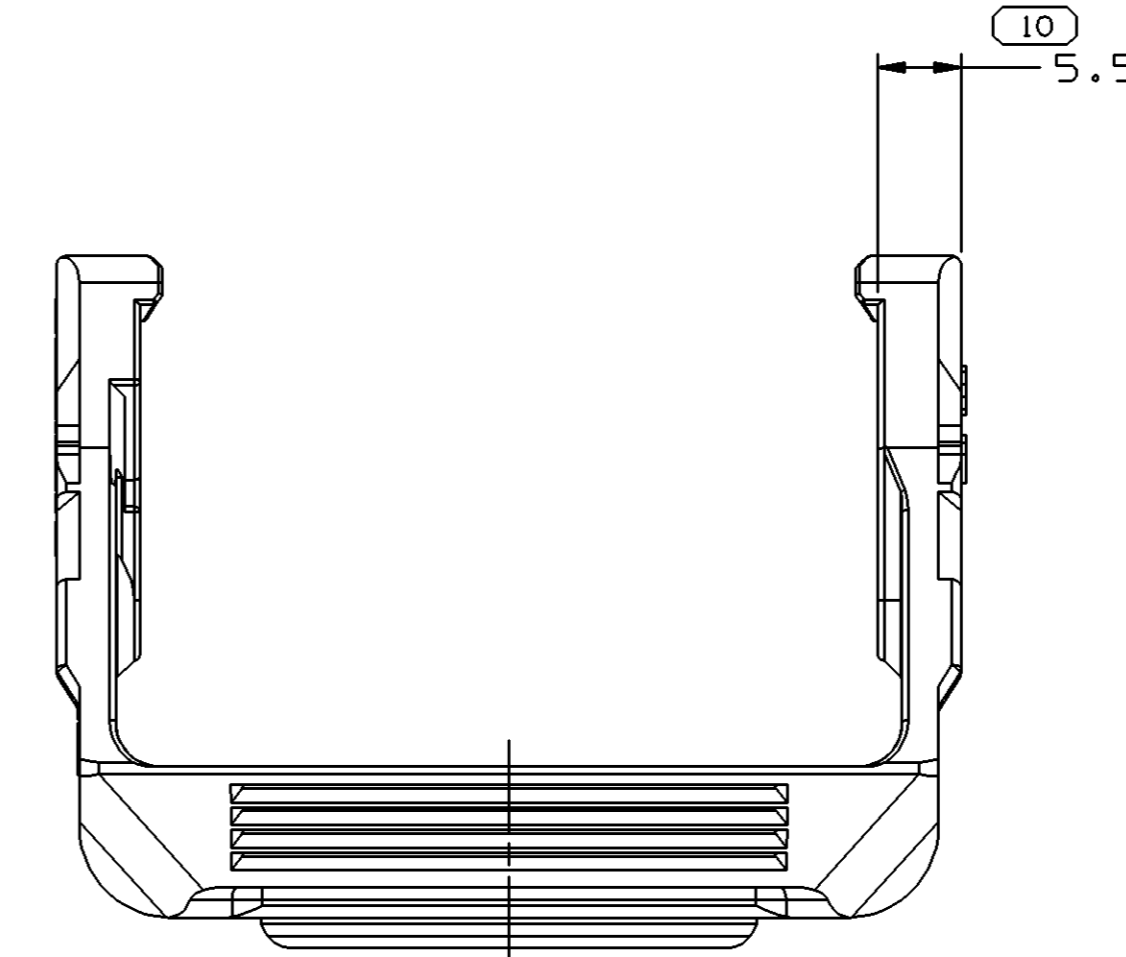
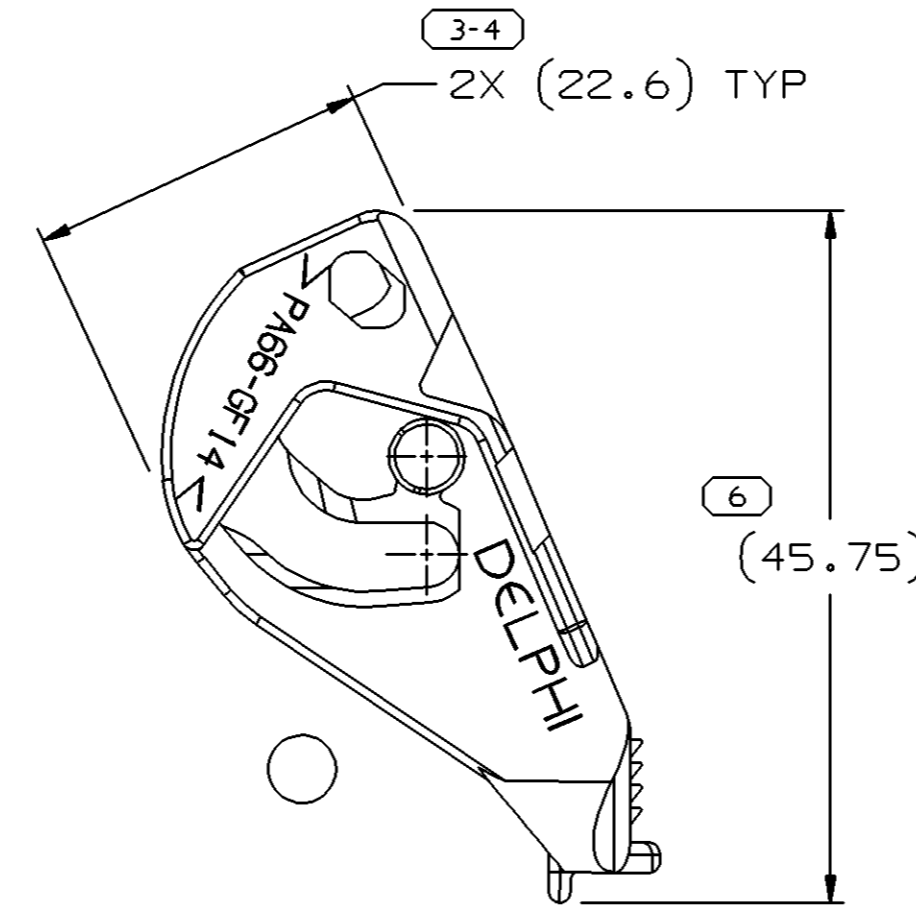
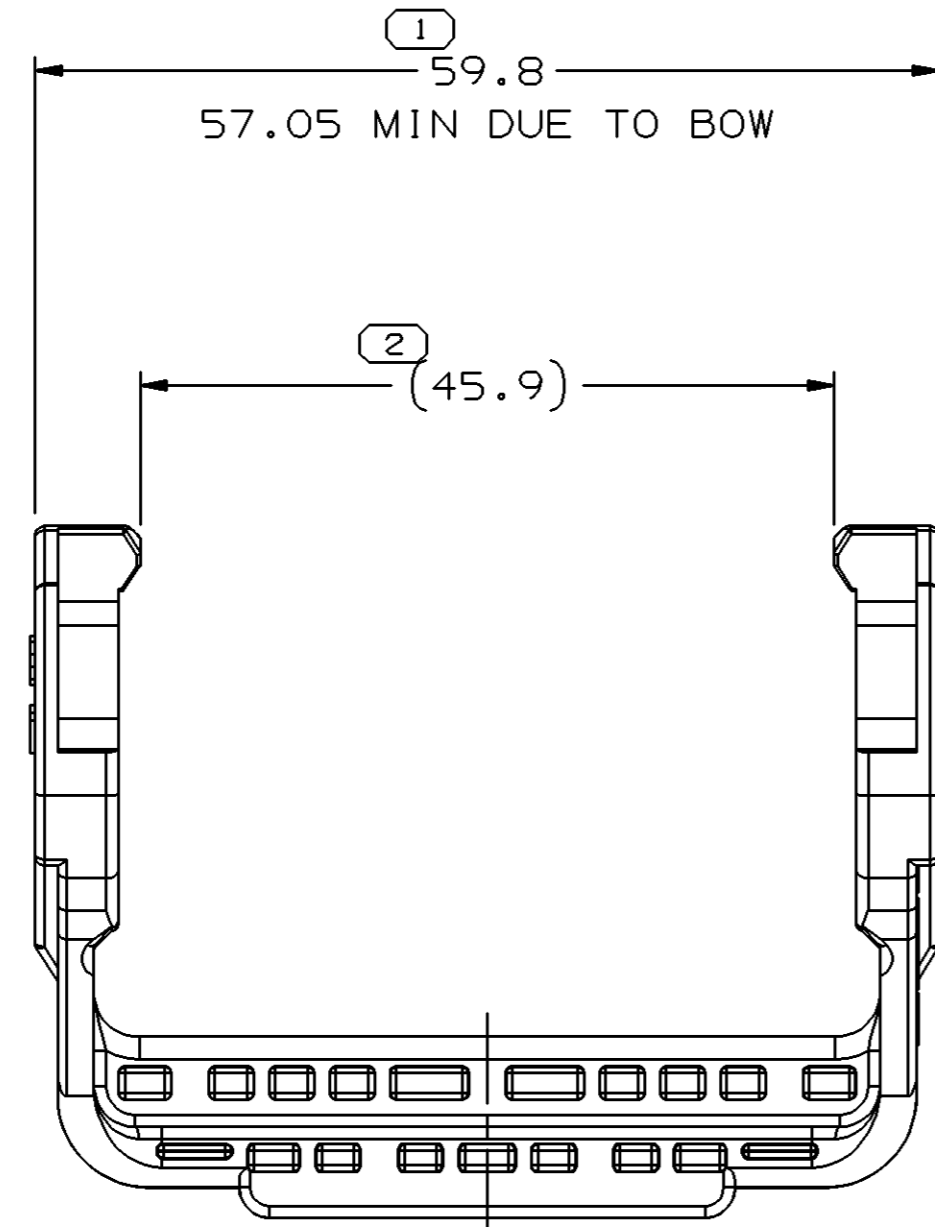
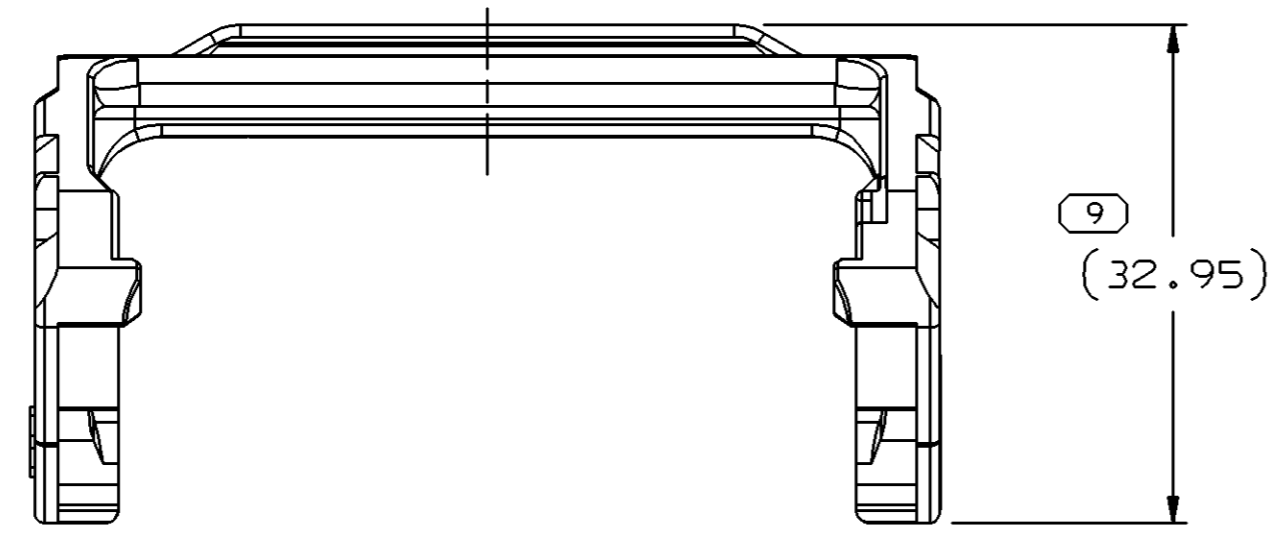


SYMBOL DEFINITION		MISSING NUMBERS
A DIMENSION WITHOUT AN INSPECTION REPORT SYMBOL DOES NOT REQUIRE INSPECTION. IT MAY BE CONTROLLED ON AN INDIVIDUAL COMPONENT DRAWING.	TOTAL NO. OF SYMBOLS ON DRAWING	8
	LAST NO. USED	10

DWG STATUS					ZONE	REVISION HISTORY			AUTH	DR	APVD1	APVD2
DATE	STG	REV	N/P	CHG								
14JA02	R	A4	-	-		REVISED NOTES, REVISED TOLERANCES, ADDED DIM TO PART DRAWING			219613	LLJ	LLJ	CM
10JA05	R	A5	-	-		UPDATED FORMAT & UPDATED PDM ATTRIBUTES			262734	BRB	BRB	MP
08JN05	R	02	-	-		REVISED GRAPHICS			267153	RJD	RJD	MP



VIEW SCALE DOES NOT REFLECT ACTUAL PART SIZE

NOTES

- UNLESS OTHERWISE SPECIFIED AND/OR INDICATED: DIMENSIONS ARE TO FACE OF VIEW SHOWN AND AUTOMATICALLY ROUNDED BY COMPUTER FOR INSPECTION (SEE MATH MODEL FOR PRECISE DIMENSIONS). FOR ALL OTHER DIMENSIONS NOT SHOWN BUT REQUIRED FOR TOOL BUILD, SEE MATH MODEL FOR PRECISE TOOL PATH DATA.
- MATERIAL RECYCLING CODE >PA66-GF14< PER SAE J1344 TO APPEAR ON PART.
- REFERENCE MATING COMPONENTS OR EQUIVALENT:
CONNECTOR 15317694, 15305216, 15336417, 15359284, 15393743
- THIS PART IS NOT CONTROLLED FOR AUTOMATIC FEEDING.
- TO BE USED WITH DELPHI PACKARD ELECTRIC SYSTEMS DESIGNED HOLDERS.
- TO BE PROCESSED USING DELPHI PACKARD ELECTRIC SYSTEMS BEST PRACTICES METHOD OR CUSTOMER ASSEMBLY INSTRUCTIONS.

DIMENSIONAL RANGE (MM)		CHART	E
FROM	0	> 20	> 30
TO	20	30	70
TOLERANCE UNLESS OTHERWISE SPECIFIED		100	> 100
		±0.15	±0.2 ±0.3 ±0.4 ±0.5
ANGULAR TOLERANCE		±2°	

DWG TYPE		PART DRAWING	
STYLE		D	
VOLUME (CM³)	5.682	DISTR CODE	D
UNLESS OTHERWISE SPECIFIED			
THIS DOCUMENT IS IN ACCORDANCE WITH ASME Y14.5M-1994 AS AMENDED BY THE GM GLOBAL DIMENSIONING AND TOLERANCING ADDENDUM - 1997. ALL GEOMETRIC TOLERANCES AND RELATED DATUMS APPLY RFS. RULE #1 PERFECT FORM AT MMC1 DOES NOT APPLY WHEN RELATIONSHIP BETWEEN FEATURES IS ESTABLISHED BY ORIENTATION OR LOCATION TOLERANCES. SEPARATE POSITION CALLOUTS MAY BE GAGED SEPARATELY, REGARDLESS OF DATUM REFERENCE. ALL DIMENSIONS ARE IN MILLIMETERS			
THIRD ANGLE PROJECTION		DO NOT SCALE	
USE MATH DATA		UNIGRAPHICS	

DELPHI
DELPHI PACKARD ELECTRIC SYSTEMS
WARREN, OH

DR	DATE
APVD1 E. MARAVER	100C97
APVD2 L. R. MOYSEN M	280C97
APVD3 J. KOUNTZ	05N097
APVD4	
APVD5	

SUBSTANCES OF CONCERN AND RECYCLED CONTENT PER DELPHI 10949001

MATERIAL
M2279002
PA66 GF14 HS IM NAT

DRAWING NAME
LOCK CONN LK HANDLE NAT

DRAWING NUMBER
15336387

SIZE	SCALE	FRAME NO	SHEET NO	STG	REV	N/P
A1	2:1	1 OF 1	1 OF 1	R	02	-