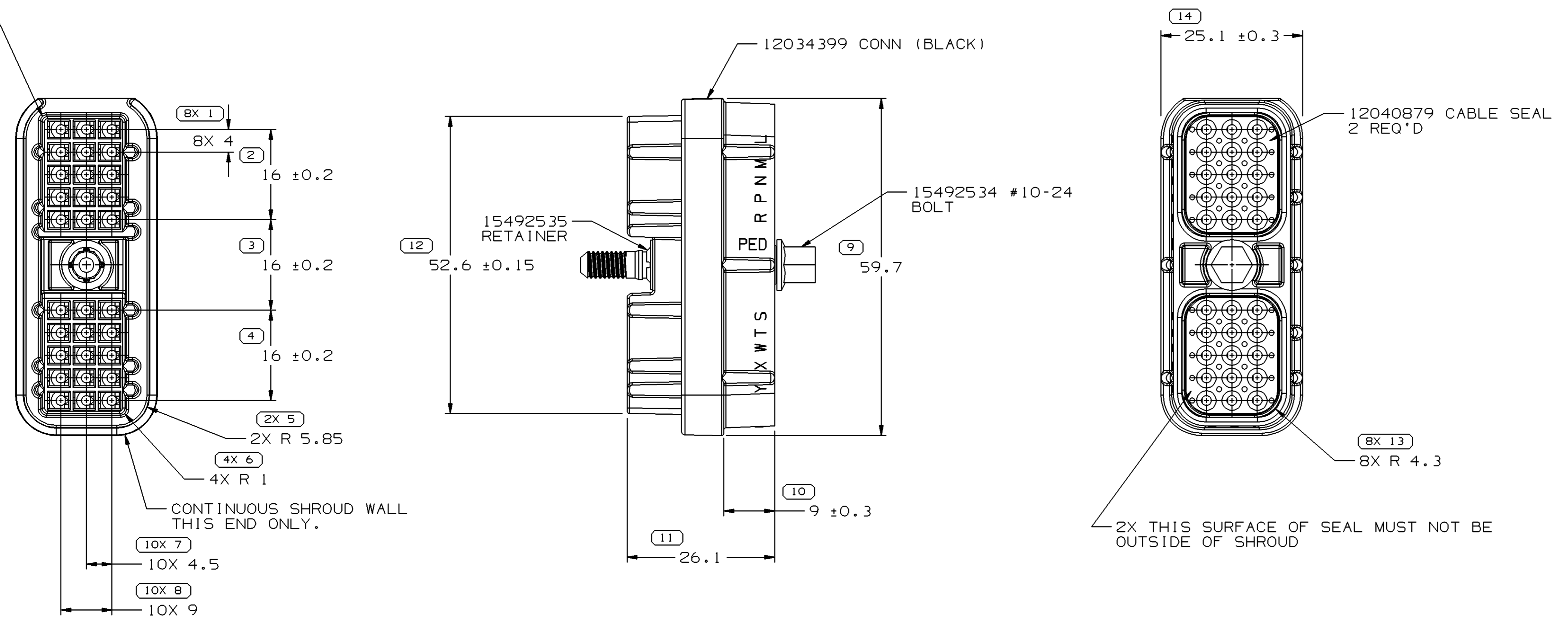


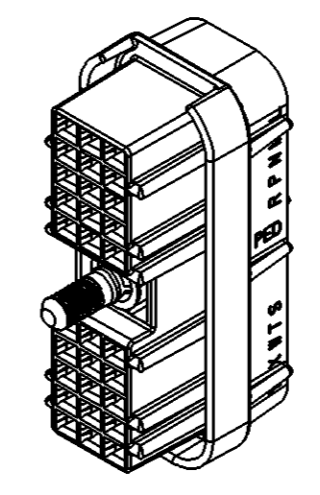
SYMBOL DEFINITION	
A DIMENSION WITHOUT AN INSPECTION REPORT SYMBOL () DOES NOT REQUIRE INSPECTION. IT MAY BE CONTROLLED ON THE INDIVIDUAL COMPONENT DRAWING.	TOTAL NO OF INSPECTIONS REQUIRED
	50
	LAST NO. USED
	14

MISSING SYMBOLS					DWG STATUS					REVISION HISTORY			AUTH	DR	APVD 1	APVD 2	
DATE	STG	REV	N/P	CHG	ZONE	DATE	REV	BY	CHKD	DATE	REV	BY	CHKD	DATE	REV	BY	CHKD
25MY04	R	01	-	-		255769		JPB	FRG	RELEASED	255769		JPB	FRG			
26AP05	R	01	AA	-		266520		JTV	FKV	REMOVED LABEL FOR ASSEMBLY PART NUMBER CALLOUT	266520		JTV	FKV			

THESE MATING END SURFACES MUST BE FREE OF MATERIAL VOIDS FOR SEALING PURPOSES.



- NOTES
- UNLESS OTHERWISE SPECIFIED AND/OR INDICATED: DIMENSIONS ARE TO FACE OF VIEW SHOWN AND AUTOMATICALLY ROUNDED BY COMPUTER FOR INSPECTION (SEE MATH MODEL FOR PRECISE DIMENSIONS). FOR ALL OTHER DIMENSIONS NOT SHOWN BUT REQUIRED FOR TOOL BUILD, SEE MATH MODEL FOR PRECISE TOOL PATH DATA.
 - SEALING CODE 3 - DESIGN WILL PASS SALT FOG AND IMMERSION TEST AFTER CONDITIONING AS SPECIFIED IN ESA-644 (WEATHER-PACK), ESA-710 (METRI-PACK), ESA-650 (UNDERHOOD MICRO-PACK), C-4006 (WORLD CONNECTOR), ETC WHEN MATED TO MATING PART OR EQUIVALENT
 - THIS PART ACCEPTS THE FOLLOWING COMPONENTS OR EQUIVALENT: CAVITIES TO ACCEPT 12047680 TERMINAL OR EQUIVALENT.
 - REFERENCE MATING COMPONENTS OR EQUIVALENT: CONNECTOR 12034395
 - THIS PART IS NOT CONTROLLED FOR AUTOMATIC FEEDING.
 - BOLT TO BE RETAINED IN ASSEMBLY TO A MINIMUM 400 N
 - RECOMMENDED MATING TORQUE: 0.8 N-M TO 1.5 N-M.
 - BOLT MUST ROTATE IN CONNECTOR AT A TORQUE OF LESS THAN 0.6 N-M AFTER RETAINER IS ASSEMBLED.



DIMENSIONAL RANGE (MM)		CHART E1	
FROM	TO	TOLERANCE UNLESS OTHERWISE SPECIFIED	REFERENCE
> 0	> 20	±0.15	
> 20	> 30	±0.2	
> 30	> 70	±0.3	
> 70	> 100	±0.4	
> 100	> 150	±0.5	
> 150	> 200	±0.6	
> 200	> 250	±0.8	
> 250	> 300	±1	
> 300	> 400	±1.2	

DWG TYPE		PART DRAWING	
STYLE			
VOLUME (CM ³)		DISTR CODE	
		D	
UNLESS OTHERWISE SPECIFIED			
THIS DOCUMENT IS IN ACCORDANCE WITH ASME Y14.5M-1994 AS AMENDED BY THE GM GLOBAL DIMENSIONING AND TOLERANCING ADDENDUM-2001. SEPARATE PATTERNS OF FEATURES MAY BE GAGED SEPARATELY REGARDLESS OF DATUM REFERENCES.			
ALL DIMENSIONS ARE IN MILLIMETERS			
THIRD ANGLE PROJECTION			
DO NOT SCALE			
USE MATH DATA			

DELPHI

DELPHI PACKARD ELECTRIC SYSTEMS
WARREN, OH

DR	DATE
APVD1 JOSE PALACIOS B	09JL04
APVD2 FCO. RESENDIZ	13JL04
APVD3 MATTHEW ROUSSEL	17SE04
APVD4	
APVD5	

SUBSTANCES OF CONCERN AND RECYCLED CONTENT PER DELPHI 10949001

MATERIAL SEE DRAWING

DRAWING NAME
ASM CONN 0 F M/P 150 BLK SLD BASE 30

DRAWING NUMBER
15492543

SIZE	SCALE	FRAME NO	SHEET NO	STG	REV	N/P
A1	2:1	1 OF 1	1 OF 1	R	01	AA