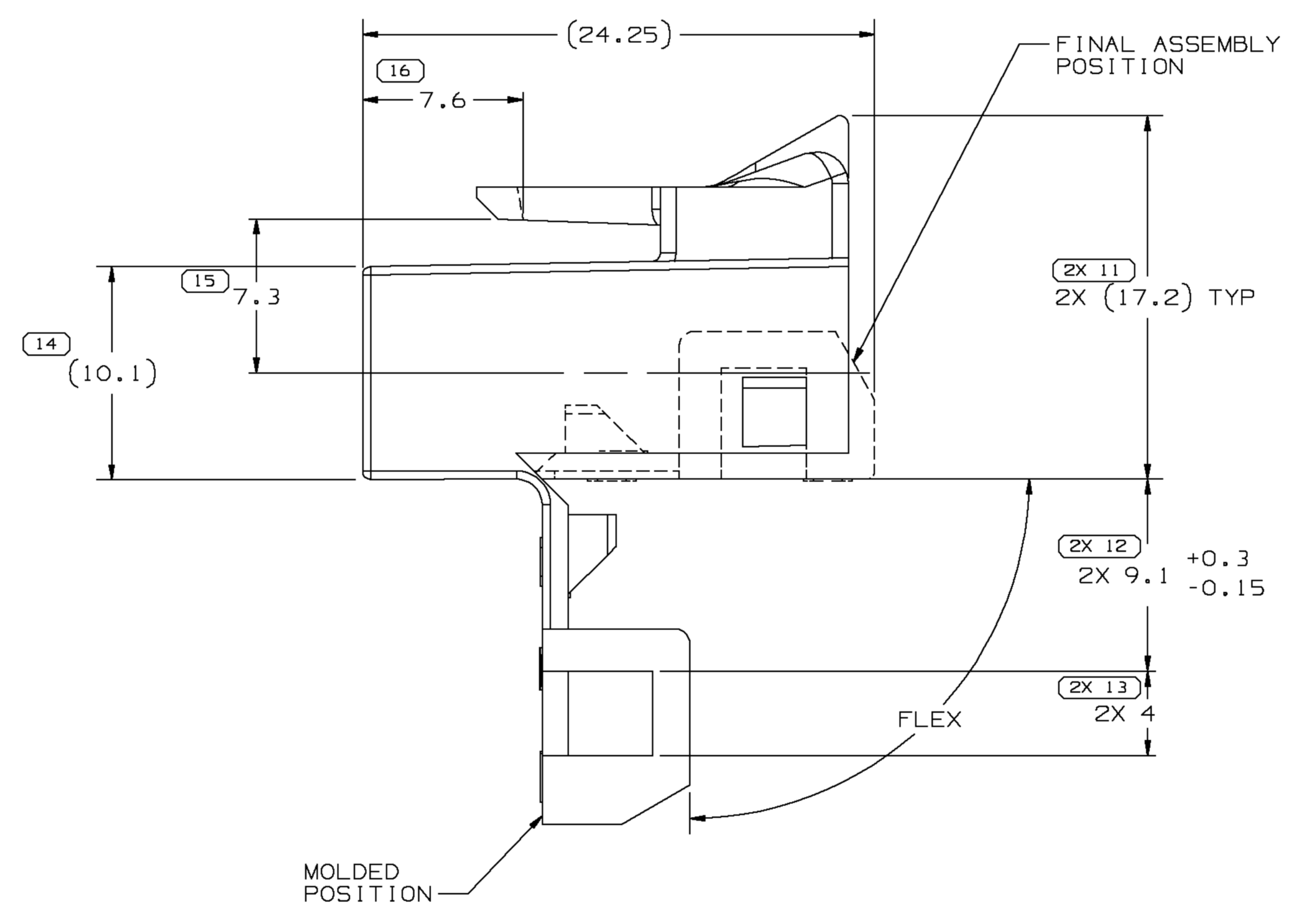
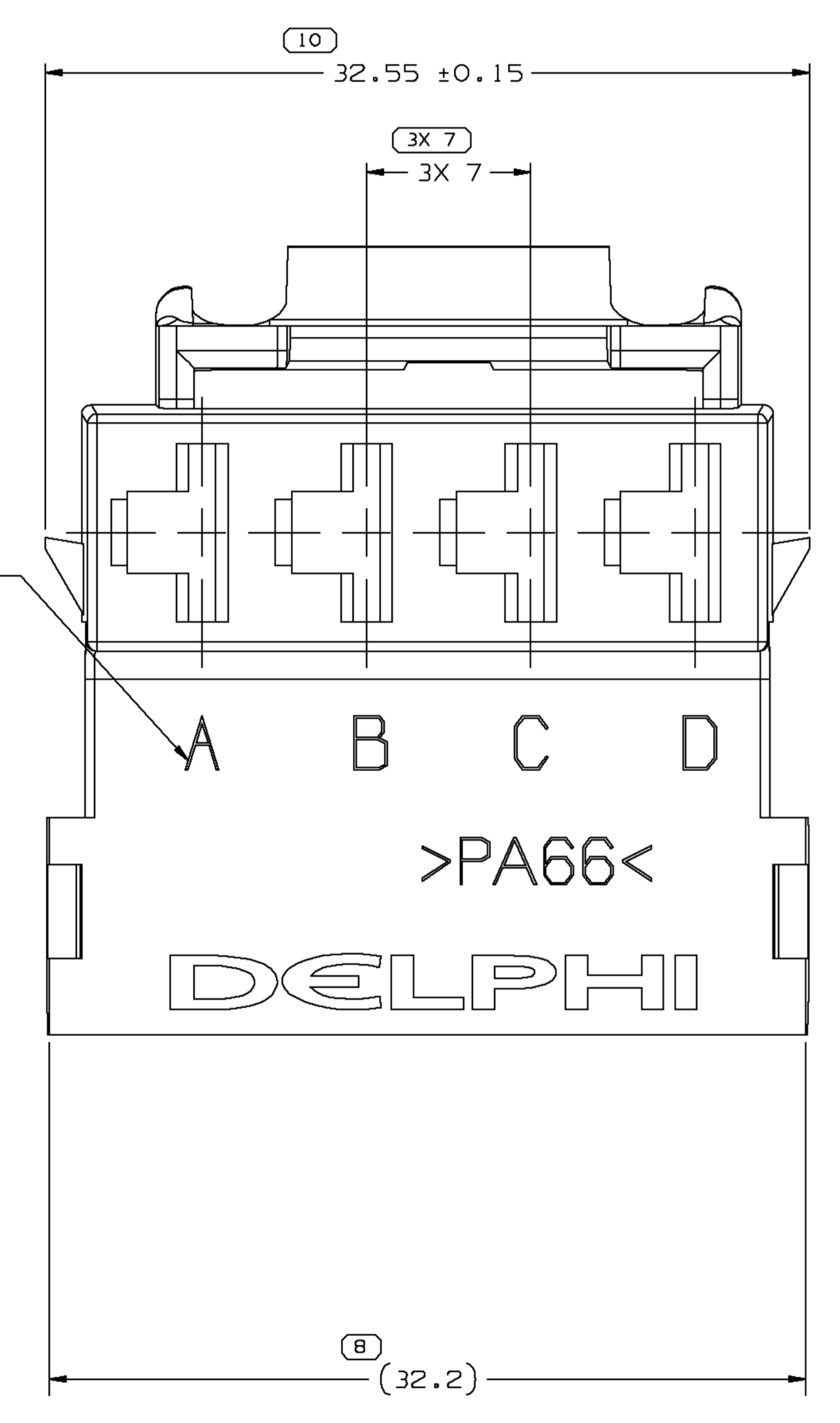
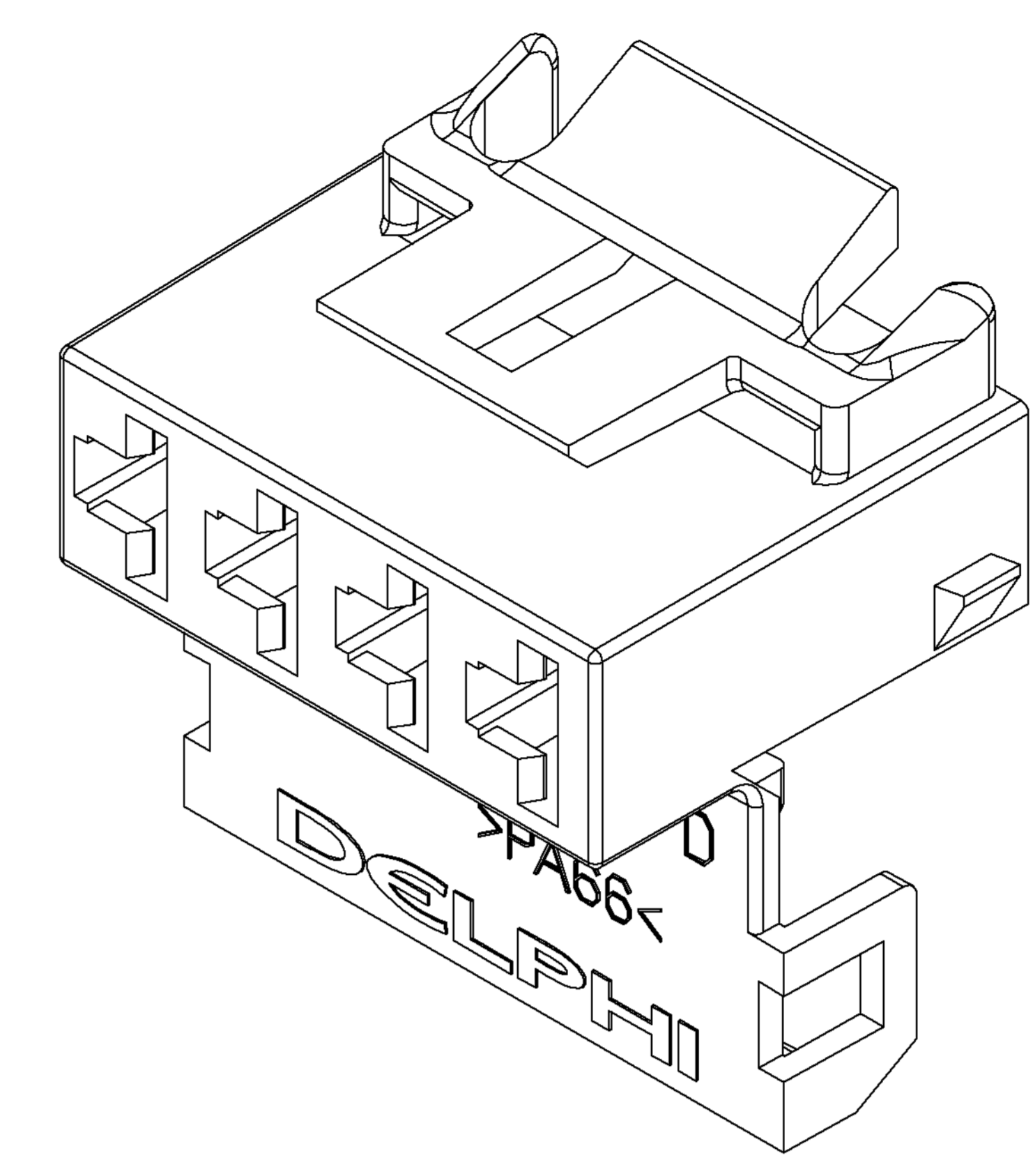
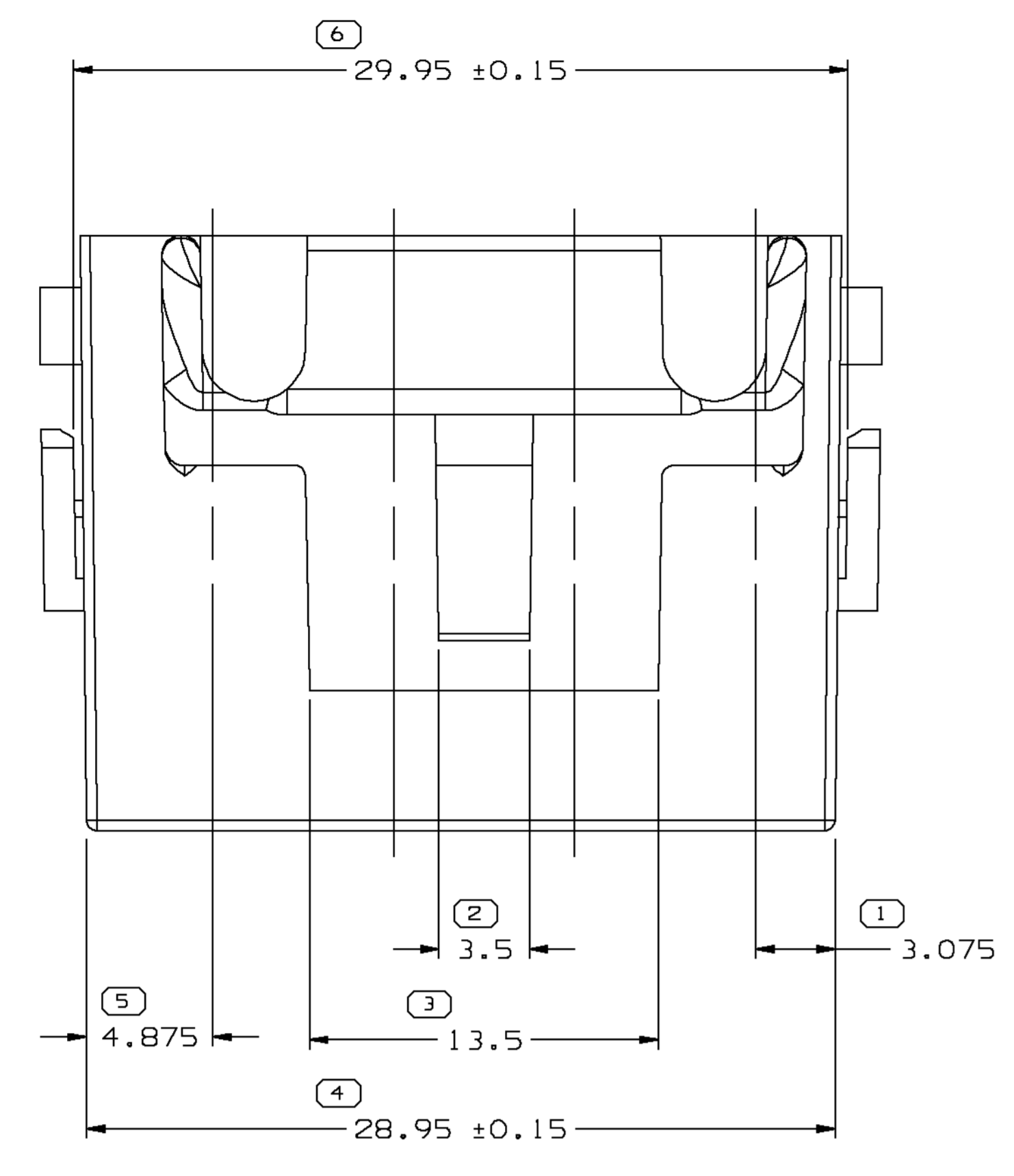


SYMBOL DEFINITION		MISSING SYMBOLS	
A DIMENSION WITHOUT AN INSPECTION REPORT SYMBOL DOES NOT REQUIRE INSPECTION. IT MAY BE CONTROLLED ON THE INDIVIDUAL COMPONENT DRAWING.	TOTAL NO OF INSPECTIONS REQUIRED	NO MISSING SYMBOL NUMBER	
	21		
	LAST NO. USED	16	

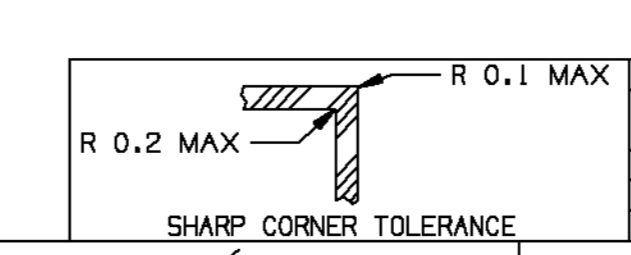
DWG STATUS				REVISION HISTORY				AUTH		DR		APVD	
DATE	STG	REV	W/P	CHG	ZONE								
08JL02	R	09	-	-		MAT'L SPEC WAS R0067547 PA6 BLK				227649	HH	EOV	JH



NOTES

- UNLESS OTHERWISE SPECIFIED AND/OR INDICATED: DIMENSIONS ARE TO FACE OF VIEW SHOWN AND AUTOMATICALLY ROUNDED BY COMPUTER FOR INSPECTION (SEE MATH MODEL FOR PRECISE DIMENSIONS). FOR ALL OTHER DIMENSIONS NOT SHOWN BUT REQUIRED FOR TOOL BUILD, SEE MATH MODEL FOR PRECISE TOOL PATH DATA.
- MATING COMPONENTS OR EQUIVALENT: DELCO PRODUCTS
- THIS PART ACCEPTS THE FOLLOWING COMPONENTS OR EQUIVALENT: CAVITIES TO ACCEPT 12015869 TERMINAL OR EQUIVALENT.
- THIS PART IS NOT CONTROLLED FOR AUTOMATIC FEEDING.
- SEE DRAWING 15422779 FOR MATING COMPONENT INFORMATION (NOTE THIS INFORMATION ONLY REPRESENTS IDEALLY HOW THE MATING COMPONENT SHOULD BE DESIGNED)
- MATERIAL RECYCLING CODE >PA66< PER SAE J1344. (2.3)x(0.1) RAISED CHARACTERS AS SHOWN TO BE LOCATED ON ANY EXTERIOR SURFACE. OPTIONAL CONSTRUCTION TO BE NO MATERIAL RECYCLING CODE.
- (2.3)x(0.1) RAISED DELPHI CORPORATE BRAND TO BE LOCATED ON ANY EXTERIOR SURFACE, PREFERABLY VISIBLE AT FINAL ASSEMBLY. OPTIONAL CONSTRUCTION TO BE "FED" OR NO LOGO.

PROCESS SENSITIVE DIMENSION	
FROM	TO
0	20
20	30
30	70
70	100
100	150
150	200
200	250
250	300
300	400



DWG TYPE		PART DRAWING	
STYLE		DISTR CODE	D
VOLUME (CMT)	4,293	ROUTING	6901
UNLESS OTHERWISE SPECIFIED			
THIS DOCUMENT IS IN ACCORDANCE WITH ASME Y14.5M-1994 AS AMENDED BY THE 3D GLOBAL DIMENSIONING AND TOLERANCING ADDENDUM - 1997. ALL DIMENSIONAL TOLERANCES AND RELATED DATUMS APPLY UNLESS OTHERWISE SPECIFIED. DIMENSIONS ARE TO FACE UNLESS OTHERWISE SPECIFIED. DIMENSIONS ARE TO FACE UNLESS OTHERWISE SPECIFIED. DIMENSIONS ARE TO FACE UNLESS OTHERWISE SPECIFIED. DIMENSIONS ARE TO FACE UNLESS OTHERWISE SPECIFIED.			
THIRD ANGLE PROJECTION			
DO NOT SCALE			
USE MATH DATA			

DELPHI
DELPHI PACKARD ELECTRIC SYSTEMS
WARREN, OH

DR	DATE
APVD1 A.M. SPISAK	17DE80
APVD2 E. DECKEC	17DE80
APVD3 F. MLAKAR	17DE80
APVD4	

SUBSTANCES OF CONCERN AND RECYCLED CONTENT PER DELPHI 1049001 POTENTIELL GEFÄHRLICHE STOFFE UND REZYKLATANTEIL (SIEHE DELPHI 1049001)

MATERIAL M3592001 PA66 1M HS BLK

DRAWING NAME
CONN 4F M/P 630 BLK

DRAWING NUMBER
12015664

SIZE A0 SCALE 5:1 FRAME NO 1 OF 1 SHEET NO 1 OF 1 DATE REV W/P 09