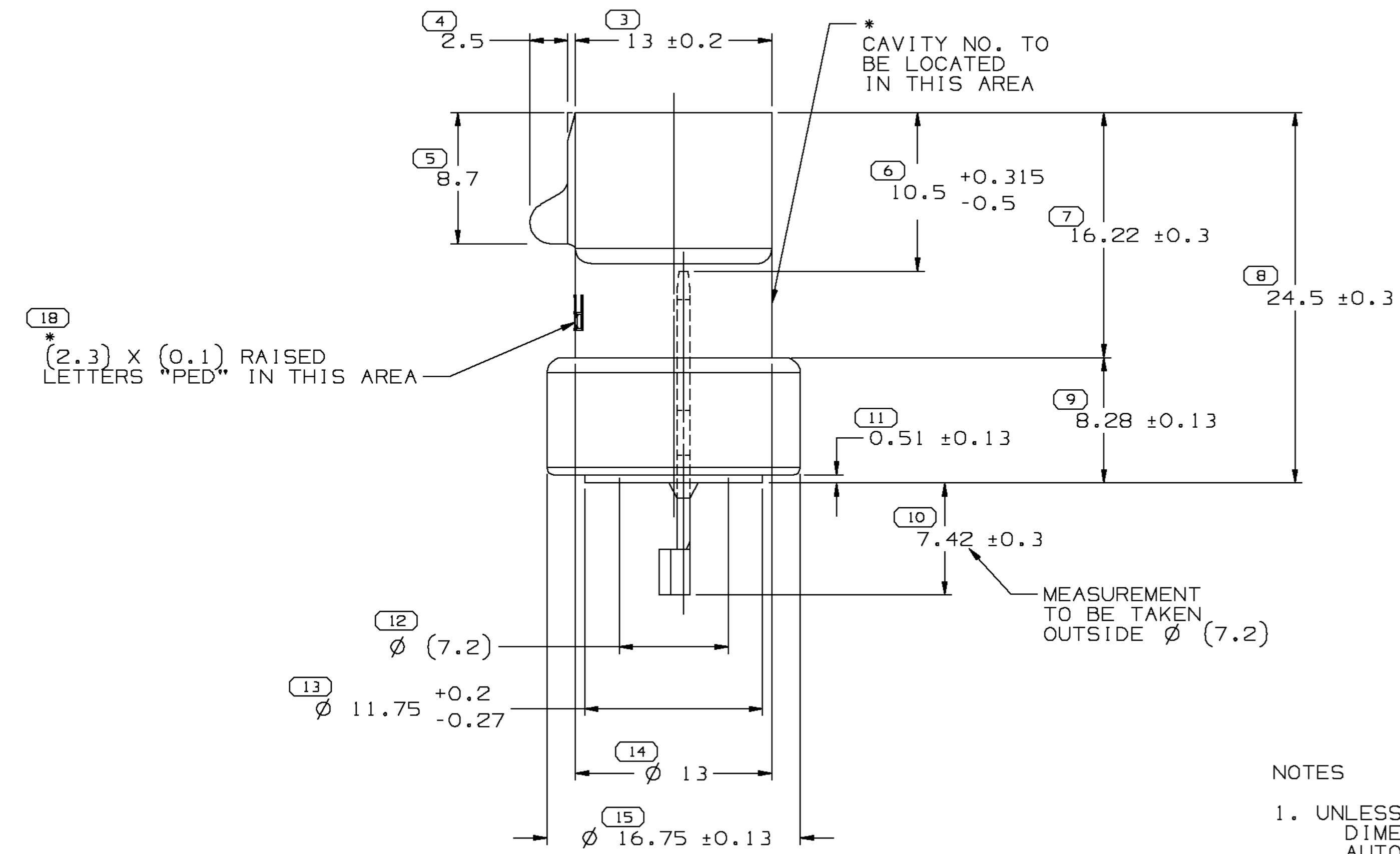
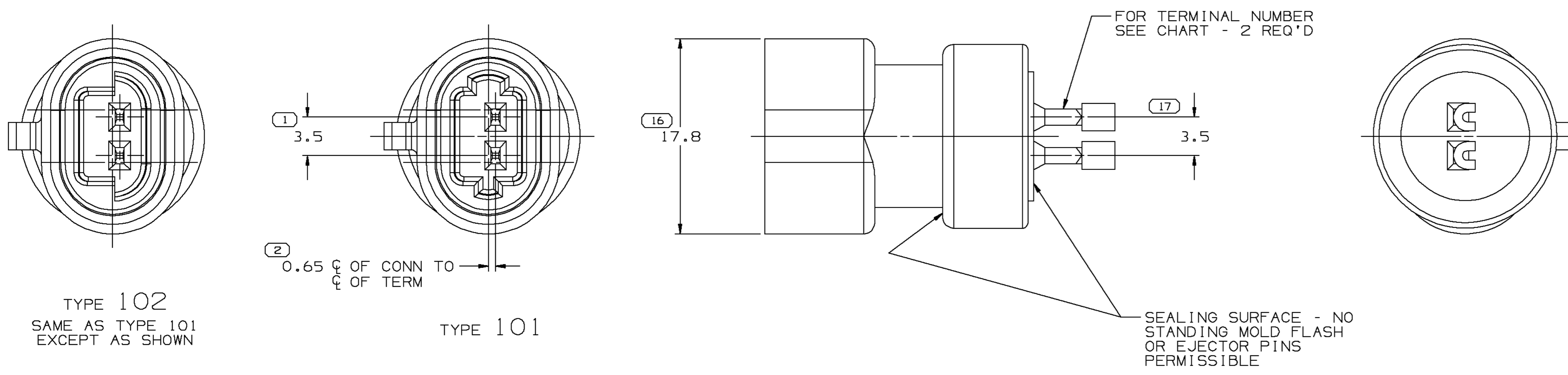
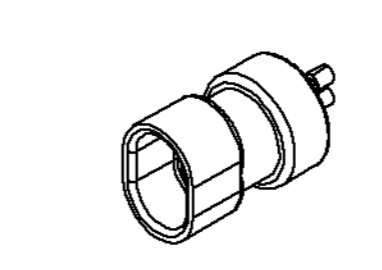


SYMBOL DEFINITION		MISSING NUMBERS		DWG STATUS			ZONE	REVISION HISTORY			AUTH	DR	CK	APVD
DATE	STG	REV	CHG	N/P										
A DIMENSION WITHOUT AN INSPECTION REPORT SYMBOL DOES NOT REQUIRE INSPECTION. IT MAY BE CONTROLLED ON AN INDIVIDUAL COMPONENT DRAWING		TOTAL NO. OF SYMBOLS ON DRAWING	18					ALL PARTS - CREATED PART DRAWING			186170	TJR	TJR	SAH
		LAST NO. USED	18					ALL PARTS - UPDATED PDM ATTRIBUTES			197441	JHH	JHH	SAH
								ALL PARTS - 10.5+0.315/-0.5 WAS 10.5±0.3			198521	JPD	BKD	JJC
								ALL PARTS - UPDATED MATING CONNECTOR INFORMATION			216217	LOA	GGI	VC



- NOTES
- UNLESS OTHERWISE SPECIFIED AND/OR INDICATED: DIMENSIONS ARE TO FACE OF VIEW SHOWN AND AUTOMATICALLY ROUNDED BY COMPUTER FOR INSPECTION. (SEE MATH MODEL FOR PRECISE DIMENSIONS.) FOR ALL OTHER DIMENSIONS NOT SHOWN BUT REQUIRED FOR TOOL BUILD, SEE MATH MODEL FOR PRECISE TOOL PATH DATA. ALL RADII 0.4
 - TYPE 101 IS ASSEMBLED INTO AC SPARK PLUG DIV. AIR TEMPERATURE SENSOR 25036751.
 - TYPE 102 IS ASSEMBLED INTO AC SPARK PLUG DIV. COOLANT TEMPERATURE SENSOR 25036708.
 - * CAVITY NUMBER AND DELPHI LOCATION MAY BE SWAPPED.

PART NO	STG	REV	N/P	STATUS	TYPE	MATERIAL SPECIFICATION AND COLOR	MATING CONN ASM	TERMINAL NO.	VOLUME
12110417	R	G5	-		101	RO100184 PBT-GF30 - NAT	15335987	12065952 OR 12065953	2.999
12103629	R	G5	-		101	RO100184 PBT-GF30 - NAT	15335987	12065952 OR 12065953	2.999
12084669	R	G7	-		101	RO100118 PBT-GF30 - GRA	15335987	12065952 OR 12065953	2.999
12066018	R	G7	-		101	RO100118 PBT-GF30 - GRA	15335987	12065952 OR 12065953	2.999
12066016	R	G7	-		102	RO100203 PBT-GF30 - BLK	15336024	12065952 OR 12065953	3.016



DELPHI
Automotive Systems

MATERIAL SPEC
SEE CHART

SUBSTANCES OF CONCERN AND RECYCLED CONTENT PER DELPHI-A 10949001

PART DRAWING

CODE NUMBER 6900/6901	DWG DATE 30APB6	SCALE 4:1	D
QC SPEC -C-5166/ -R-5119	STYLE	VOLUME cm ³ SEE CHART	

PART GEOMETRY
3D SOLID

UNLESS OTHERWISE SPECIFIED:
PERFECT FORM REQUIRED FOR FEATURES OF SIZE AT MMC. TRUE POSITION TOLERANCES AND RELATED DATUMS APPLY AT CONDITION OF SIZE INDICATED IN FEATURE CONTROL FRAME. ALL OTHER GEOMETRIC TOLERANCES AND RELATED DATUMS APPLY RFS. SEPARATE TRUE POSITION CALLOUTS MAY BE GAGED SEPARATELY, REGARDLESS OF DATUM REFERENCE.

REFERENCE	DR	DATE
APVD1	TOM NADASKY JR.	27AP98
APVD2	TOM NADASKY JR.	27AP98
APVD3	SHELLY A. HUDAK	120C99
APVD4		
APVD5		

METRIC
UNLESS OTHERWISE SPECIFIED, ALL DIMENSIONS ARE IN MILLIMETERS

THIRD ANGLE PROJECTION

DRAWING NAME
TAXI CONN 2M M/P 150 INS MLDD

SHEET NUMBER	DRAWING NUMBER	DWG STATUS	SIZE
2 OF	12059312	R 004 -	A1

DIMENSIONAL RANGE (MM)		CHART E1	
FROM	TO	TOLERANCE	UNLESS OTHERWISE SPECIFIED
0	> 20	±0.15	±0.2
> 20	> 30	±0.3	±0.4
> 30	> 70	±0.4	±0.5
> 70	> 100	±0.6	±0.8
> 100	> 150	±1	±1.2
> 150	> 200	±1	±1.2
> 200	> 250	±1	±1.2
> 250	> 300	±1	±1.2
> 300	> 400	±1	±1.2

6 PROCESS SENSITIVE DIMENSION
DIMENSIONS ENCLOSED IN () INDICATE REFERENCE DIMENSIONS AND NO TOLERANCE LIMITS ARE ESTABLISHED

SHARP CORNER TOLERANCE