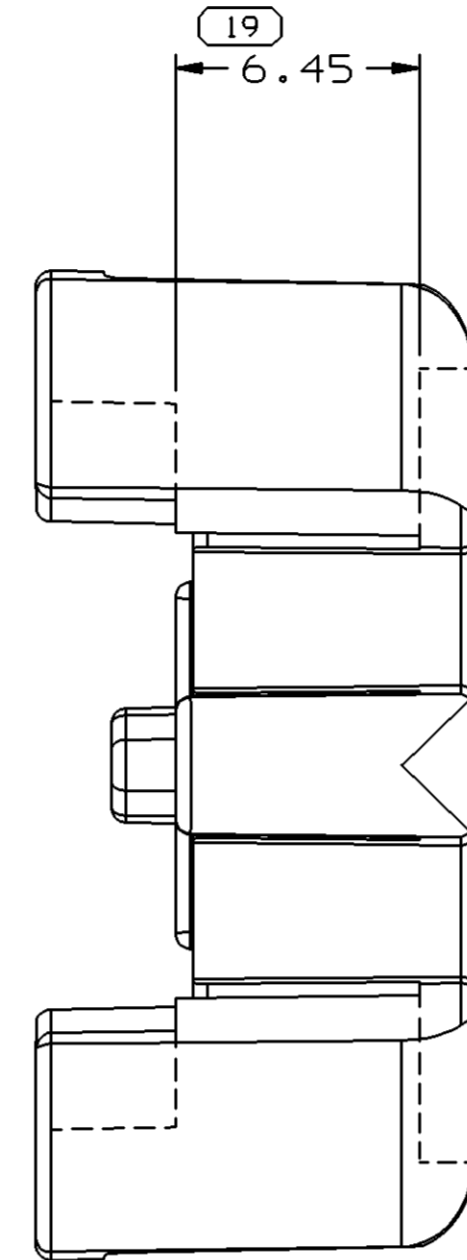
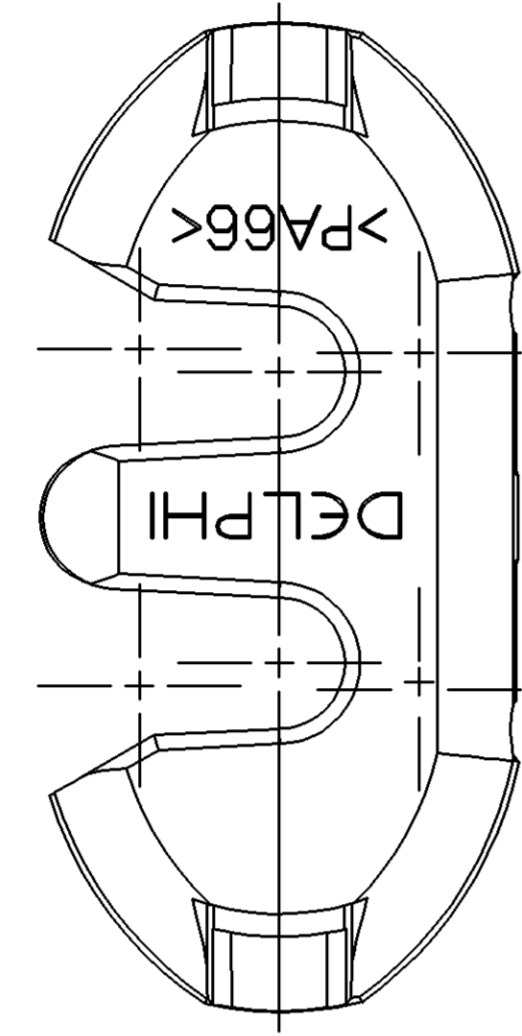


TYPE 102
SAME AS TYPE 101
EXCEPT AS SHOWN

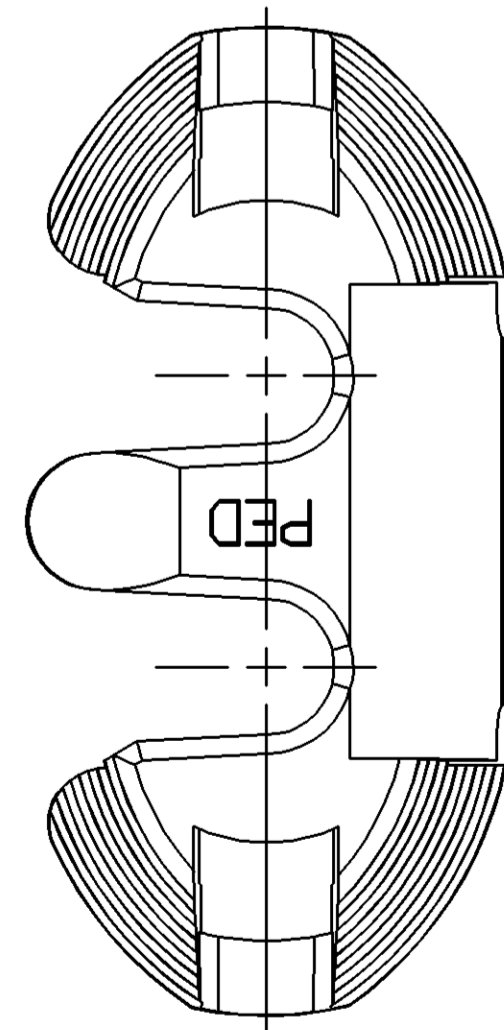
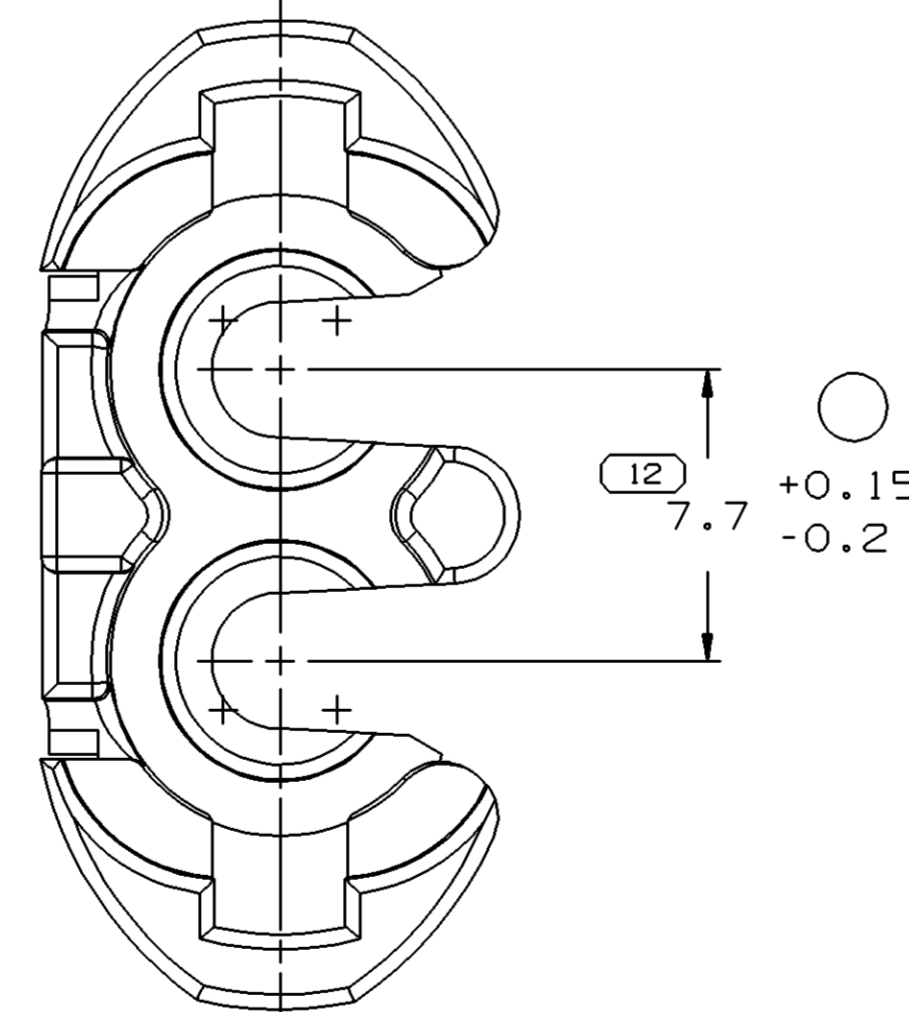
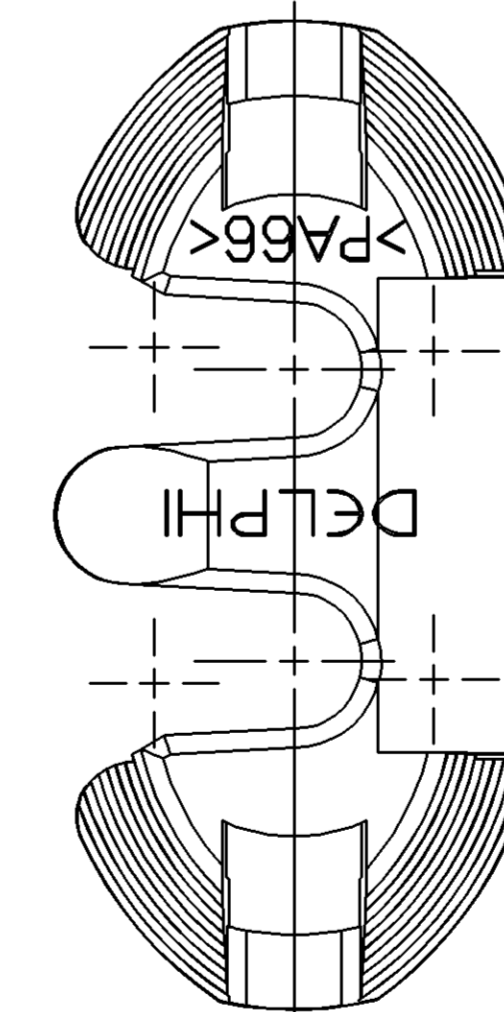
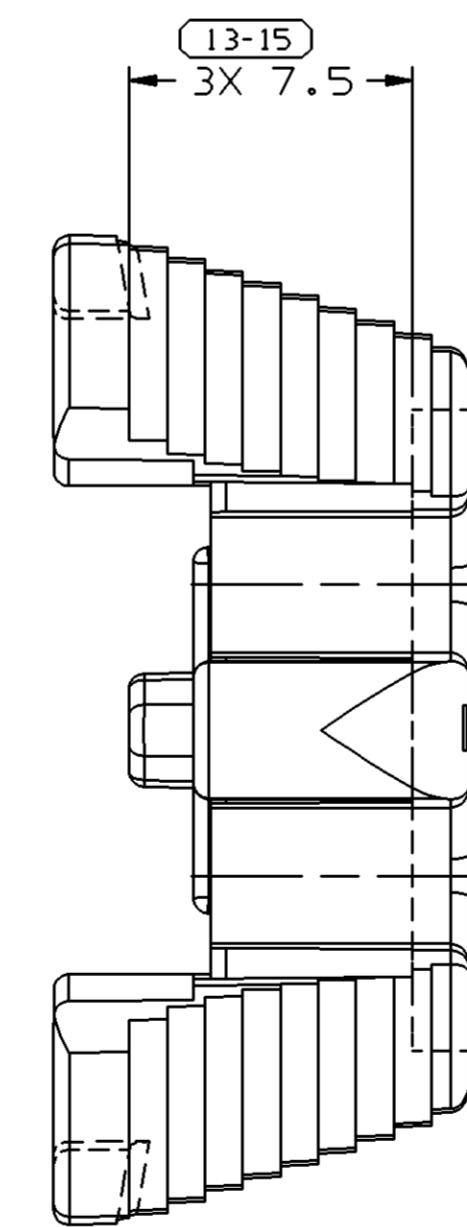
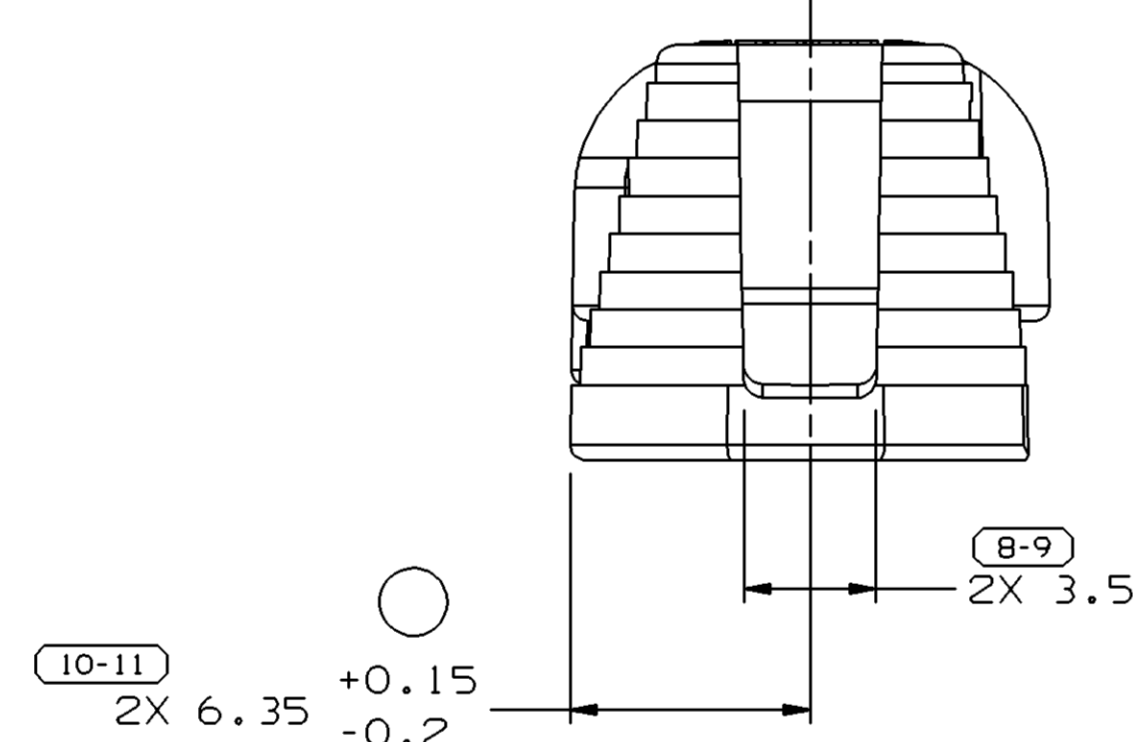


OPTIONAL CONSTRUCTION
TYPE 102

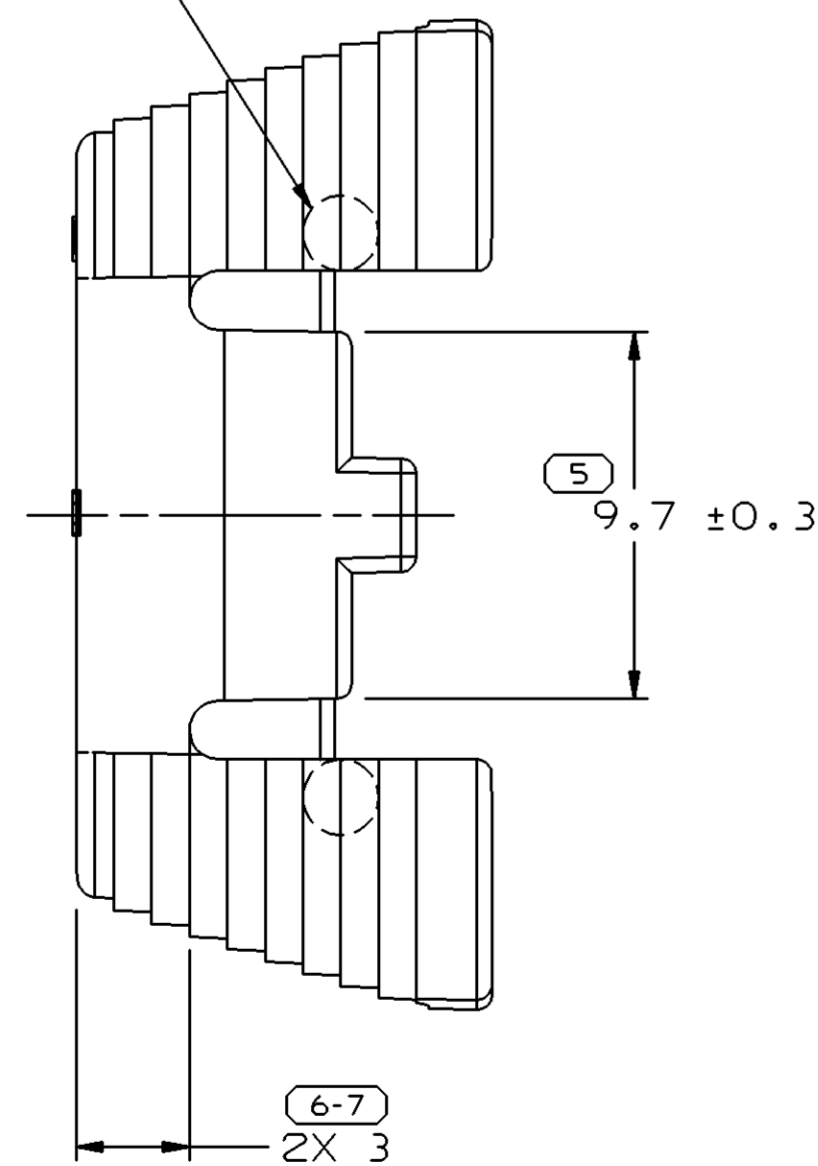
SYMBOL DEFINITION		MISSING NUMBERS	
A DIMENSION WITHOUT AN INSPECTION REPORT SYMBOL DOES NOT REQUIRE INSPECTION. IT MAY BE CONTROLLED ON AN INDIVIDUAL COMPONENT DRAWING.	TOTAL NO. OF SYMBOLS ON DRAWING	11	
	LAST NO. USED	19	

DWO STATUS		ZONE		REVISION HISTORY		AUTH	DR	APVD	APVD
DATE	STG	REV	N/P	CHG					
15MY02	R	01	-	-	CLEARED REV COL: ALL PARTS - ADDED LOGO NOTE & RECYCLING CODE NOTES & ADDED NOTE AND REVISED MAT'L SPEC	225437	060	RH	ET
28.JN02	R	02	-	-	ALL PARTS - REVISED MATERIAL SPEC FROM PA6 TO PA66	226918	JGR	EDV	RC
30.JN03	R	03	-	-	ADDED OPTIONAL CONSTRUCTION FOR TYPE 102	242896	JYD	JYD	RC
22.JL03	R	04	-	-	ALL PARTS - REVISED TOLERANCES (2 PLCS)	243744	EDV	EDV	RC

18 SMALL PINHOLES (INFO'S) ACCEPTABLE IN THIS AREA, DUE TO THIN SECTIONS CAUSED BY PART GEOMETRY & TOOL DRAFT



OPTIONAL CONSTRUCTION



TYPE 101

NOTES

- UNLESS OTHERWISE SPECIFIED AND/OR INDICATED: DIMENSIONS ARE TO FACE OF VIEW SHOWN AND AUTOMATICALLY ROUNDED BY COMPUTER FOR INSPECTION (SEE MATH MODEL FOR PRECISE DIMENSIONS). FOR ALL OTHER DIMENSIONS NOT SHOWN BUT REQUIRED FOR TOOL BUILD, SEE MATH MODEL FOR PRECISE TOOL PATH DATA.
- MATERIAL RECYCLING CODE >PA66< PER SAE J1344. (1.21X(0.1) RAISED CHARACTERS AS SHOWN TO BE LOCATED ON ANY EXTERIOR SURFACE. OPTIONAL CONSTRUCTION TO BE NO MATERIAL RECYCLING CODE.
- THIS PART IS NOT CONTROLLED FOR AUTOMATIC FEEDING.
- MATING COMPONENTS OR EQUIVALENT: CONNECTOR 15300008
- (1.21X(0.1) RAISED DELPHI CORPORATE BRAND TO BE LOCATED ON ANY EXTERIOR SURFACE, PREFERABLY VISIBLE AT FINAL ASSEMBLY. OPTIONAL CONSTRUCTION TO BE "PED" OR NO LOGO.

PART NO	REV	N/P	STATUS	MATERIAL SPECIFICATION AND COLOR	TYPE	VOLUME CM ³
** 15300014	06	AB		M3592008 PA66 1M HS BLU	101-102	0.848
12191070	02	AA		M3592001 PA66 1M HS BLK	101	0.848
12186995	02	AA		M3592025 PA66 1M HS GRA MD	101	0.848
* 12162363	02	AB		M3592025 PA66 1M HS GRA MD	102	1.122

DIMENSIONAL RANGE (MM)		CHART ET	
FROM	TO	1	2
0	20	1	2
20	30	1	2
30	70	1	2
70	100	1	2
100	150	1	2
150	200	1	2
200	250	1	2
250	300	1	2
300	400	1	2
TOLERANCE UNLESS OTHERWISE SPECIFIED		ANGULAR TOLERANCE 12°	
±0.15	±0.2	±0.3	±0.4
±0.5	±0.6	±0.8	±1
±1	±1.2		

DWO TYPE		PART DRAWING	
STYLE	SEE CHART	DISTR CODE	D
VOLUME (CM ³)	6900		
UNLESS OTHERWISE SPECIFIED			
THIS DOCUMENT IS IN ACCORDANCE WITH ASME Y14.5M-1994 AS AMENDED BY THE 2003 DIMENSIONING AND TOLERANCING ADDENDUM - 1997. ALL GEOMETRIC TOLERANCES AND RELATED SURFACE APPLICABLE TO THE PART UNLESS OTHERWISE SPECIFIED. UNLESS OTHERWISE SPECIFIED, ALL DIMENSIONS ARE IN MILLIMETERS.			
THIRD ANGLE PROJECTION		DO NOT SCALE	
USE MATH DATA		UNSPRINGS	

DELPHI
DELPHI PACKARD ELECTRIC SYSTEMS
WARREN, OH

DR	DATE
APVD1 E.O. VAZQUEZ	13MY00
APVD2 C. MIRANDA	15MY00
APVD3 J. ALVAREZ	15MY00
APVD4	
APVD5	

MATERIAL: SEE CHART

DRAWING NAME: TAXI LOCK TPA M/P 280

DRAWING NUMBER: 12162505

SIZE: A0 SCALE: 5:1 FRAME NO: 1 OF 1 SHEET NO: 1 OF 1 REV: N/P