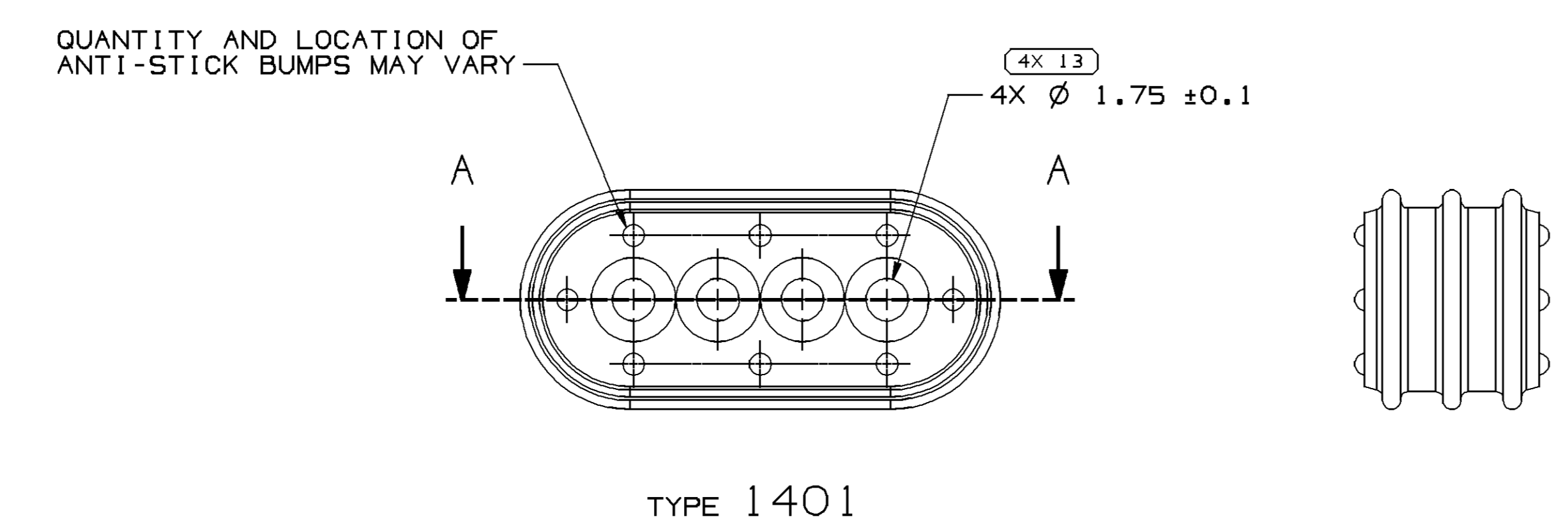
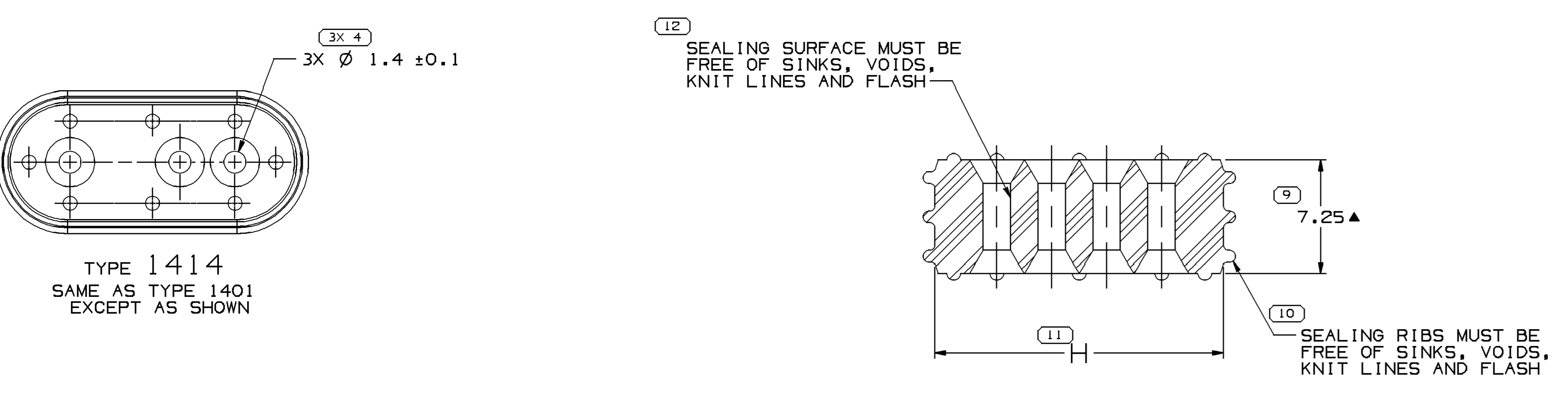
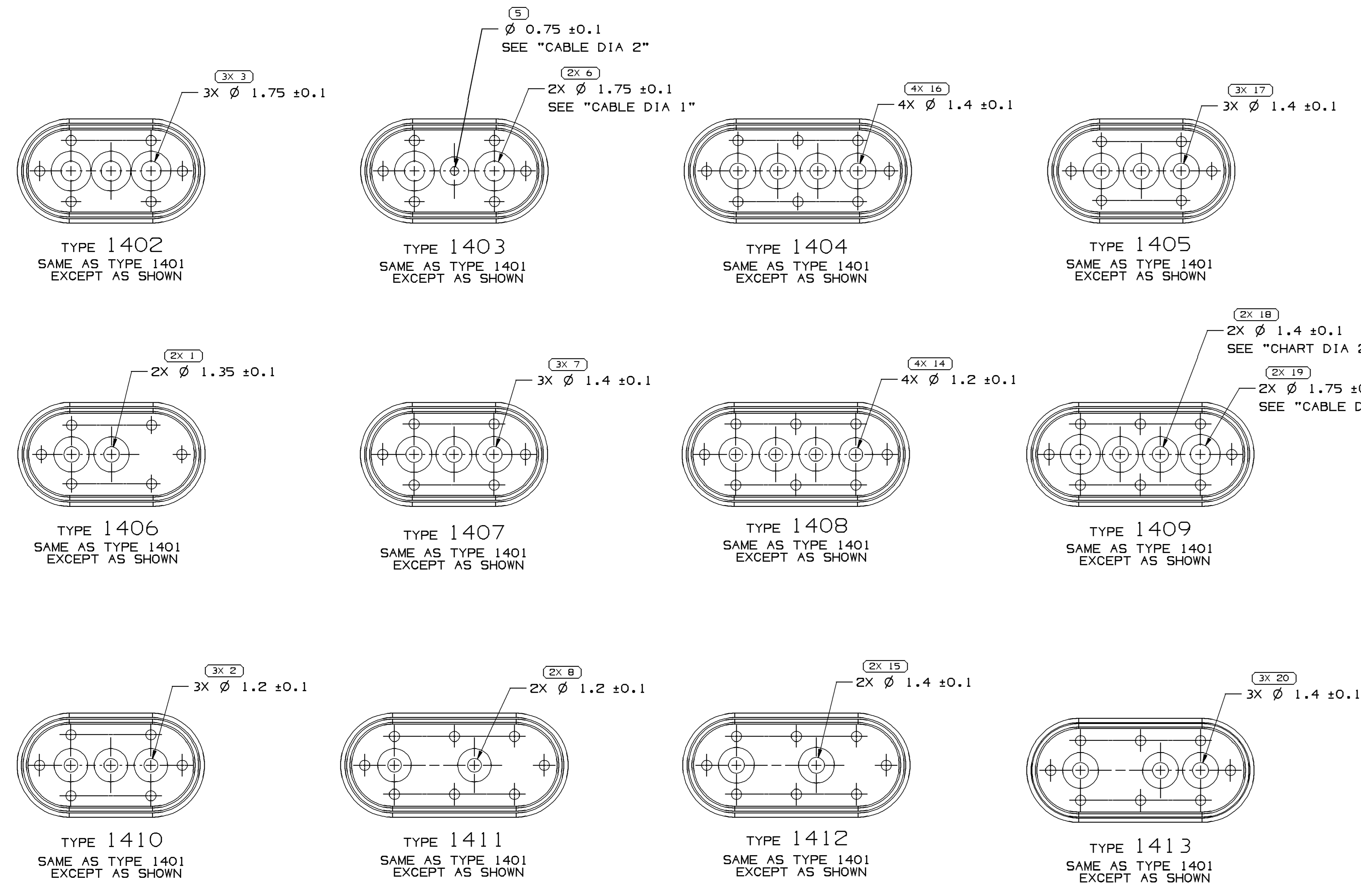


SYMBOL DEFINITION		TOTAL NO OF INSPECTIONS REQUIRED	NO MISSING SYMBOL NUMBER
A DIMENSION WITHOUT AN INSPECTION REPORT SYMBOL () DOES NOT REQUIRE INSPECTION. IT MAY BE CONTROLLED ON THE INDIVIDUAL COMPONENT DRAWING.		47	
		LAST NO. USED	20

MISSING SYMBOLS				REVISION HISTORY				AUTH					
DATE	STG	REV	N/P	CHG	ZONE								
03NOV00	R	01	-	-		CLEARED REV COLUMN & 15394067 - RELEASED				000005	EGR	BEG	JR
18AP02	R	02	-	-		15422575 - RELEASED				221103	LEB	BEG	JR
24AU04	R	03	-	-		12110186, 12092862, 12078081, 12047907, & 12040757 - REVISED PER NIN EWO BGLTS ALL PARTS - UPDATED MAT'L SPECS				257830	LMB	LMB	MR
16NO04	R	04	-	-		PARTS 12040757, 12047907, 12059261, 12078081, 12092617, 12092862, 12124886, 12129090, 12186296, 15324303, 15394067, 15422575 - REVISED TOLERANCES 2 PLCS				261403	RH	RH	MR
21FE07	R	05	-	-		12078081 - REVISED TOLERANCE FOR DIM "H"				400573	RJD	RJD	MRR



- NOTES
- UNLESS OTHERWISE SPECIFIED AND/OR INDICATED: DIMENSIONS ARE TO FACE OF VIEW SHOWN AND AUTOMATICALLY ROUNDED BY COMPUTER FOR INSPECTION. (SEE MATH MODEL FOR PRECISE DIMENSIONS.) FOR ALL OTHER DIMENSIONS NOT SHOWN BUT REQUIRED FOR TOOL BUILD, SEE MATH MODEL FOR PRECISE TOOL PATH DATA.
 - THIS PART IS CONTROLLED FOR AUTOMATIC FEEDING AS DENOTED ON DRAWING WITH ▲.
 - PARTS ARE TO BE PACKAGED IN SEALED PLASTIC BAGS. GROSS WEIGHT INCLUDING CARTON IS NOT TO EXCEED 34 POUNDS.

PART NO	REV	N/P	STATUS	MATERIAL SPECIFICATION	COLOR (REF ONLY)	ALTERNATE MAT'L SPEC	TYPE	TERM CAV	CABLE DIA 1 ±0.05	CABLE DIA 2 ±0.05	H	TYPICAL MATING CONNECTOR (REF)	VOLUME CM ³
15422575	01	AB		M2261009	PPL	-	1414	4	1.65-2.15	-	18.4	12162187	0.942
15394067	01	AB		M2261012	LT GRA	-	1413	4	1.65-2.15	-	18.4	12162187	0.942
15324383	A2	-		M2261019	DK RED	-	1412	4	1.65-2.15	-	18.4	12162187	0.957
12186296	A2	-		M2261009	PPL	-	1411	4	1.47-1.85	-	18.4	12040755	0.965
12129090	A2	-		M2261008	BLU	-	1410	3	1.47-1.85	-	14.9	12065558	0.745
12124886	A2	-		M2261008	BLU	-	1409	4	2-2.66	1.65-2.15	18.4	12040755	0.903
12110186	02	-		M3469005	GRN	M2261005	1408	4	1.47-1.85	-	18.4	12047906	0.934
12092862	02	AA		M3469003	GRN	M2261012	1407	3	1.65-2.15	-	14.9	12065558	0.734
12092700	A	-	OBsolete	R0070015	BLU	M2261012	1406	3	1.65-2.15	-	14.9	12047906	0.755
12092617	A2	-		M2261029	TAN	-	1405	3	1.65-2.15	-	14.9	12047906	0.741
12078081	02	AB		M3469038	TAN	M2261029	1404	4	1.65-2.15	-	18.4 +0.2/-0.15	12040755	0.919
12059261	A2	-		M2261019	DK RED	-	1403	3	2-2.66	0.99-1.02	14.9	12047906	0.729
12047907	02	AA		M3469007	GRN	M2261001	1402	3	2-2.66	-	14.9	12047906	0.711
12040757	03	AA		M3469007	GRN	M2261001	1401	4	2-2.66	-	18.4	12040755	0.888

DELPHI
DELPHI PACKARD ELECTRICAL/ELECTRONIC ARCHITECTURE
NAPER, OH

DATE: _____

DR: _____

APV01: R. CHACON 17JN98

APV02: G. MACIAS 17JN98

APV03: J. REIDER 17JN98

APV04: _____

APV05: _____

SUBSTANCES OF CONCERN AND RECYCLED CONTENT PER DELPHI-A 10949001

DRAWING NAME: TAXI SEAL CBL OW M/P

DRAWING NUMBER: 12077525

SIZE: A0

SCALE: 5:1

FRAME NO: 1 OF 2

SHEET NO: 14 OF

STG: R

REV: 05

DATE: 05-14-98

TIME: 16:58

DIMENSIONAL RANGE (MM)	TOLERANCE
FROM > 0 TO > 30	±0.25
> 30 TO > 75	±0.30
> 75 TO > 100	±0.35
> 100 TO > 150	±0.40
> 150 TO > 200	±0.45
> 200 TO > 250	±0.50
> 250 TO > 300	±0.55
> 300 TO > 400	±0.60