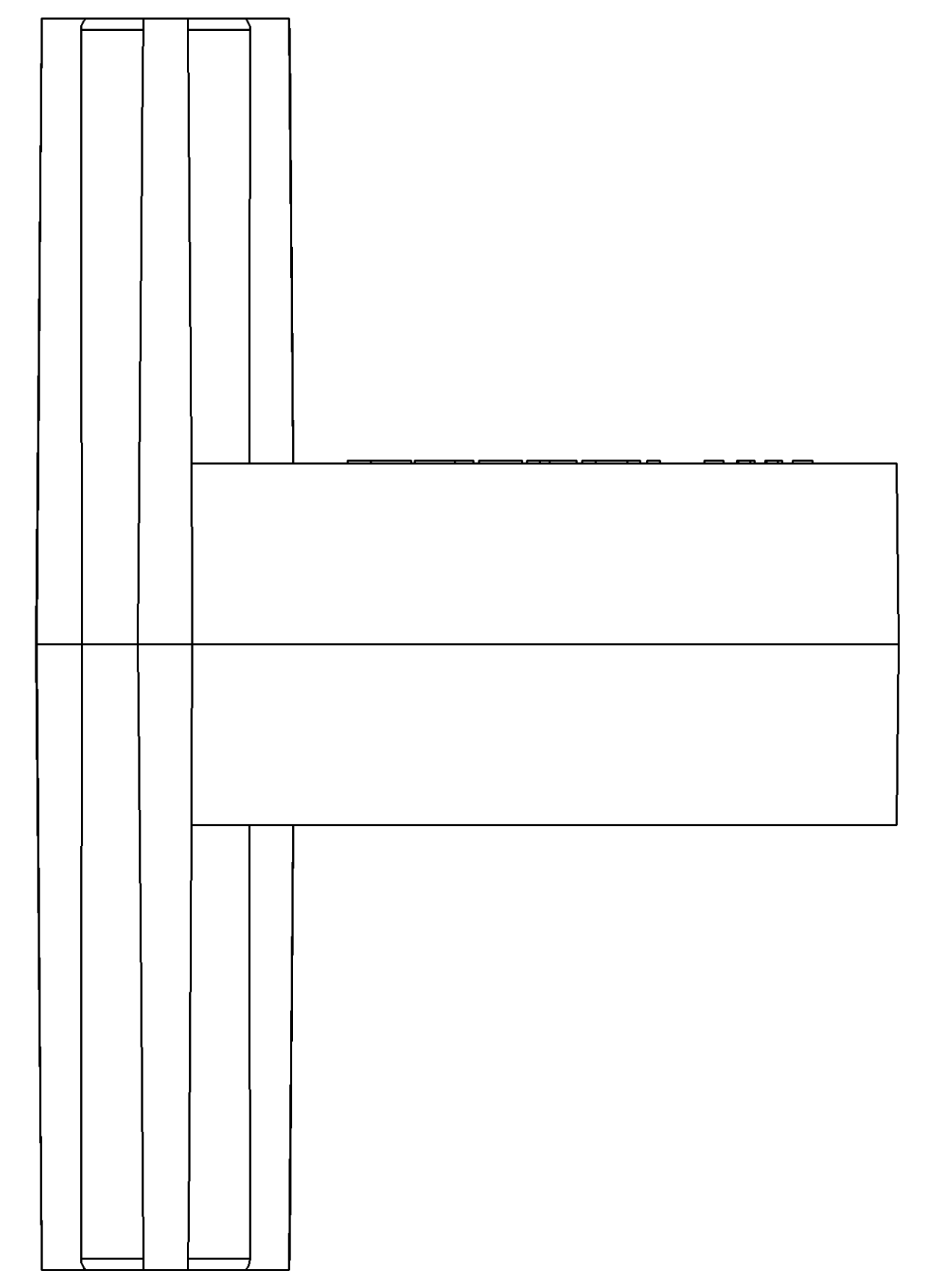
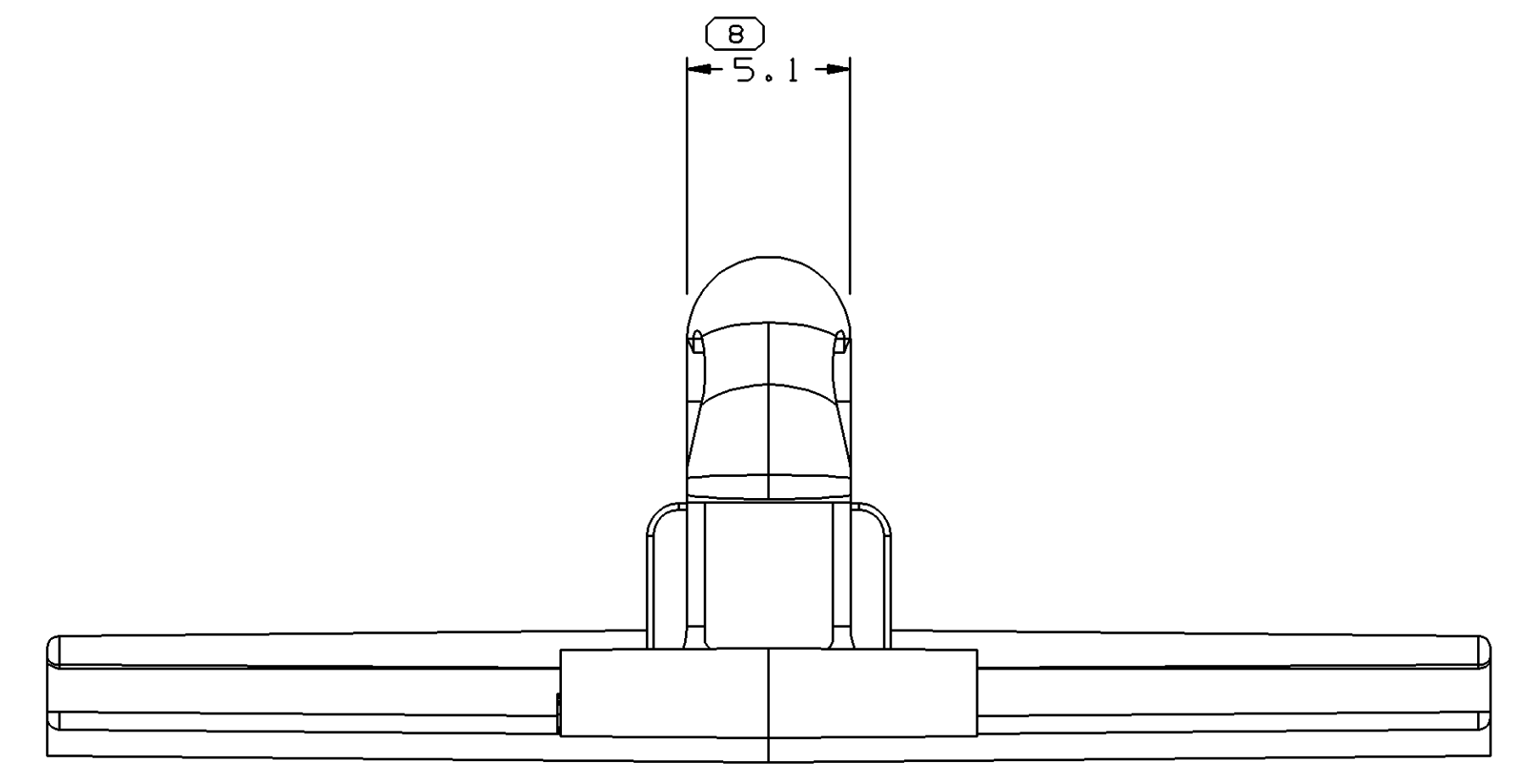
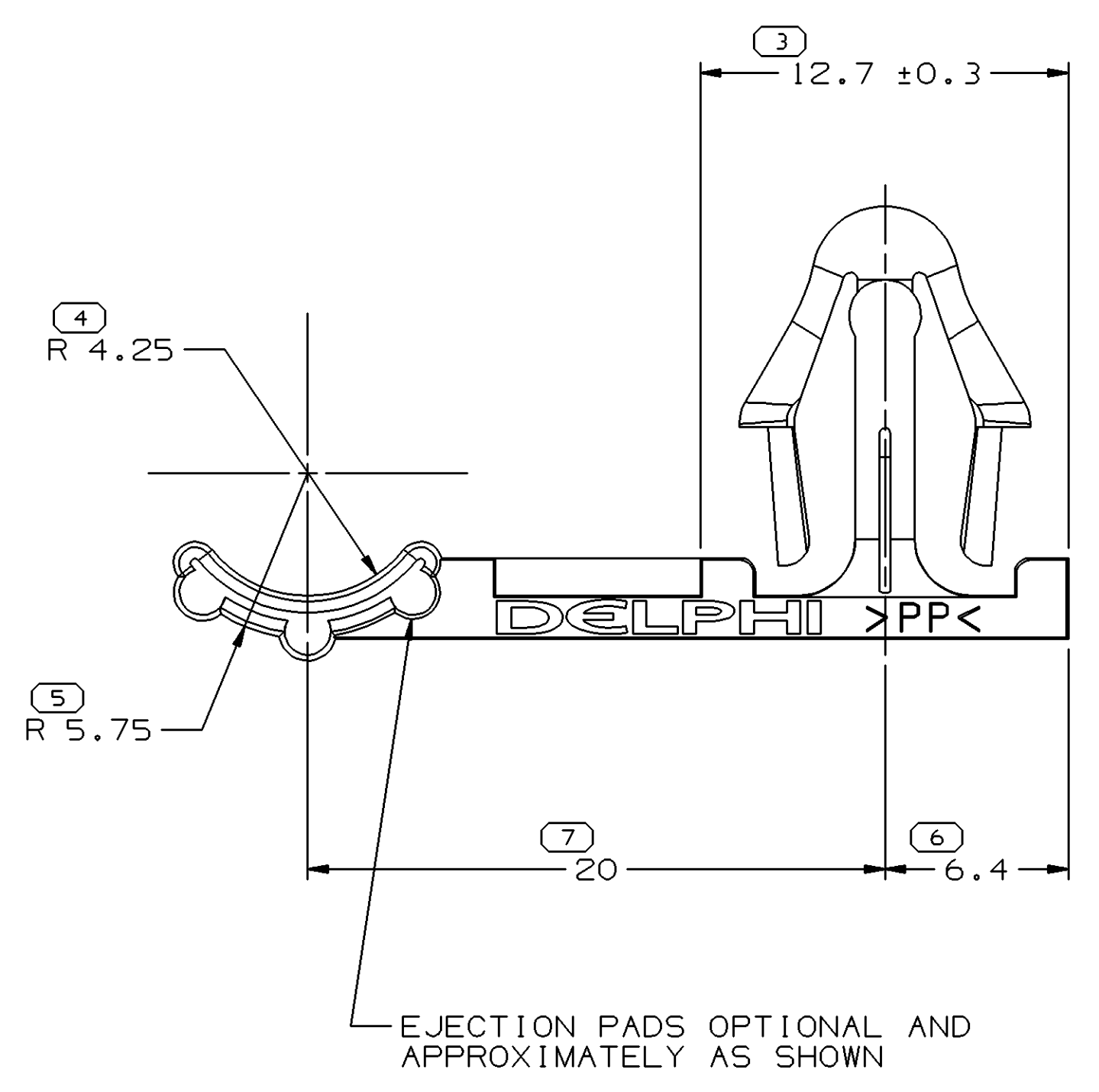
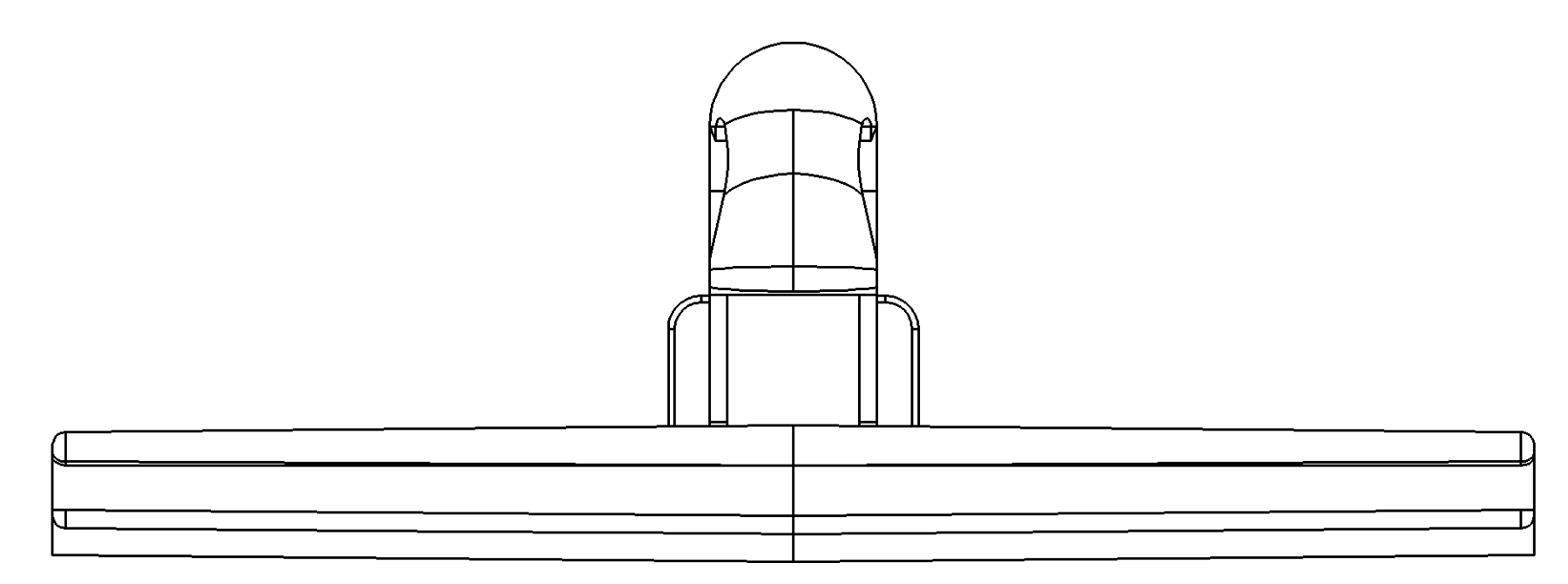
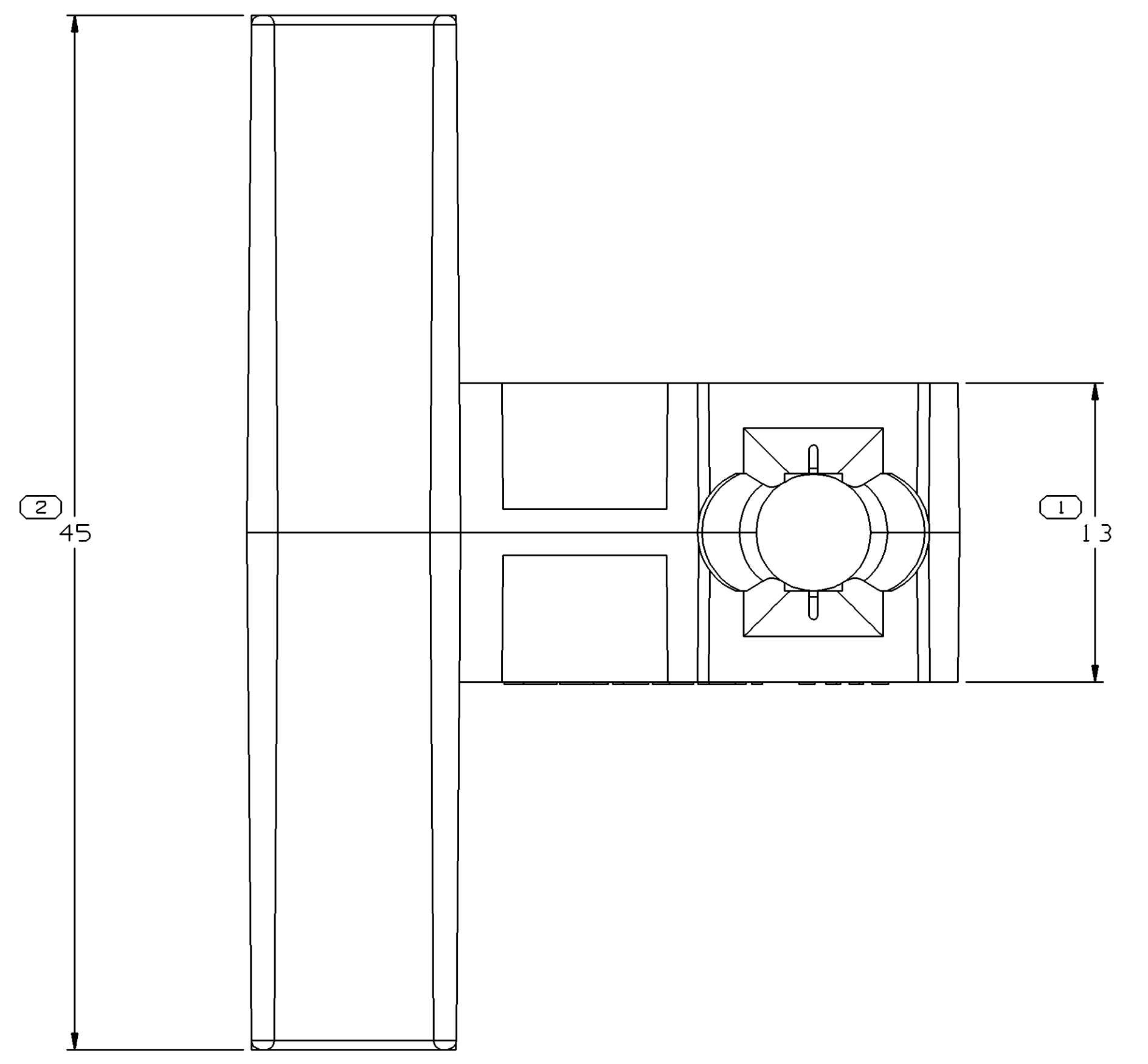


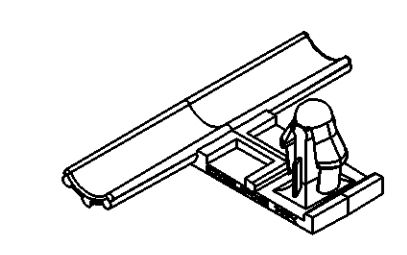
SYMBOL DEFINITION		MISSING NUMBERS	
A DIMENSION WITHOUT AN INSPECTION REPORT SYMBOL ( ) DOES NOT REQUIRE INSPECTION. IT MAY BE CONTROLLED ON AN INDIVIDUAL COMPONENT DRAWING.	TOTAL NO. OF SYMBOLS ON DRAWING	8	
	LAST NO. USED	8	

DWO STATUS					REVISION HISTORY			AUTH	DR	APVD	APVD
DATE	STG	REV	W/P	CHG	ZONE						
31JAO3	R	03	AD	-		MAT'L SPEC WAS R0061354, ADDED DELPHI CORPORATE BRAND & MAT'L SPEC LOGO	236375	RVP	RVP	FR	FR
210C04	R	04	-	-		MATERIAL SPEC WAS M0661002 PP BLK AND REVISED NOTE #2	260160	EES	EES	ET	ET
10JAO5	R	04	AA	-		UPDATED PDM ATTRIBUTES	263051	EES	EES	ET	ET
16MR05	R	04	AB	-		UPDATED PDM ATTRIBUTES	265906	JPB	JAA	TP	TP



NOTES

- UNLESS OTHERWISE SPECIFIED AND/OR INDICATED: DIMENSIONS ARE TO FACE OF VIEW SHOWN AND AUTOMATICALLY ROUNDED BY COMPUTER FOR INSPECTION (SEE MATH MODEL FOR PRECISE DIMENSIONS). FOR ALL OTHER DIMENSIONS NOT SHOWN BUT REQUIRED FOR TOOL BUILD, SEE MATH MODEL FOR PRECISE TOOL PATH DATA. DRAFT IS 0° 30'. PART IS SYMMETRICAL ABOUT PARTING LINE.
- MATERIAL RECYCLING CODE PER ISO 11469. (2.31X10.1) RAISED CHARACTERS AS SHOWN TO BE LOCATED ON ANY EXTERIOR SURFACE. OPTIONAL CONSTRUCTION TO BE NO MATERIAL RECYCLING CODE.
- (2.31X10.1) RAISED DELPHI CORPORATE BRAND TO BE LOCATED ON ANY EXTERIOR SURFACE, PREFERABLY VISIBLE AT FINAL ASSEMBLY. OPTIONAL CONSTRUCTION TO BE "PED" OR NO LOGO.
- RECOMMENDED HOLE SIZE:  $\phi$  6.1 - 6.6, IN 3.8 MAXIMUM THICK STOCK.
- RECOMMENDED BUNDLE SIZE  $\phi$  8.5.



DWO TYPE		PART DRAWING	
STYLE		DISTR CODE	D
VOLUME (CM <sup>3</sup> )	1.521		
UNLESS OTHERWISE SPECIFIED			
THIS DOCUMENT IS IN ACCORDANCE WITH ASME Y14.5M-1994 AS AMENDED BY THE 2018 DIMENSIONING AND TOLERANCING ADDENDUM - 1997. ALL GEOMETRIC TOLERANCES AND RELATED DATUMS APPLY TO ALL FEATURES UNLESS OTHERWISE SPECIFIED.			
MDCI DOES NOT APPLY WHEN RELATIONSHIP BETWEEN FEATURES IS ESTABLISHED BY ORIENTATION OR LOCATION TOLERANCES, REGARDLESS OF DATUM REFERENCE.			
ALL DIMENSIONS ARE IN MILLIMETERS			
REFERENCE		THIRD ANGLE PROJECTION	DO NOT SCALE
		USE MATH DATA	

**DELPHI**  
DELPHI PACKARD ELECTRIC SYSTEMS  
WARREN, OH

DR	DATE
APVD1 J. COLDSNOW	23AP90
APVD2 J. COLDSNOW	23AP90
APVD3 KELLY/HEIDENREICH	23AP90
APVD4	
APVD5	

MATERIAL: M2097001 PP 1M BLK  
SUBSTANCES OF CONCERN AND RECYCLED CONTENT PER DELPHI 10949001

DRAWING NAME: MOUN CLIP TAPE ON ROSEBUD  
DRAWING NUMBER: 12110197

SIZE: AO SCALE: 5:1 FRAME NO: 1 OF 2 SHEET NO: 1 OF 1 REV: R 04 AB

DIMENSIONAL RANGE (MM)		TOLERANCE		CHART ET	
FROM	TO	±	MSD	FROM	TO
0	20	±0.15	0.1	0	20
20	30	±0.2	0.15	20	30
30	70	±0.3	0.2	30	70
70	100	±0.4	0.25	70	100
100	150	±0.5	0.3	100	150
150	200	±0.6	0.35	150	200
200	250	±0.7	0.4	200	250
250	300	±0.8	0.45	250	300
300	400	±1.0	0.5	300	400

ANGULAR TOLERANCE: ±2°