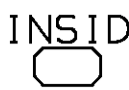
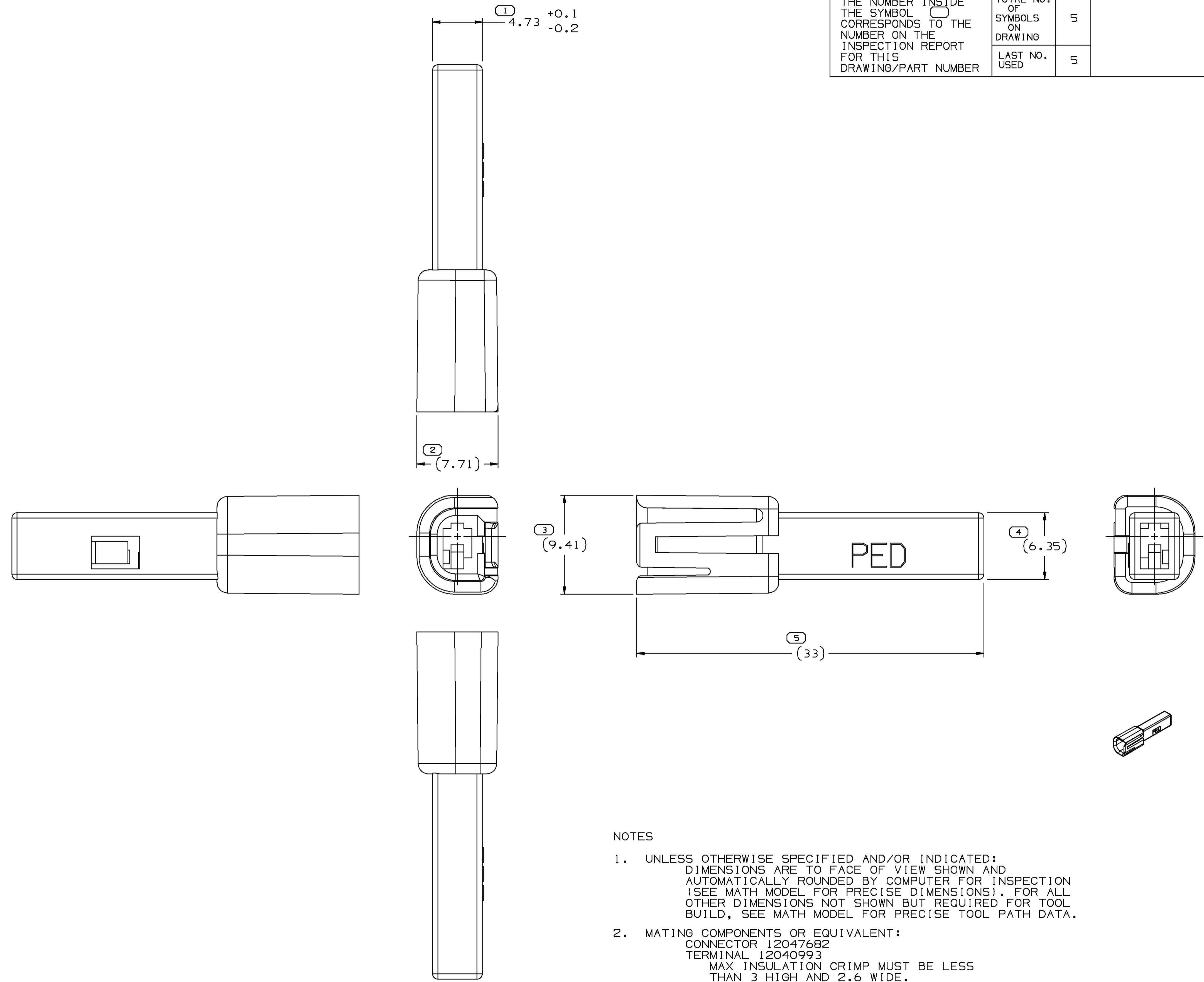


SYMBOL DEFINITION		MISSING NUMBERS	
THE NUMBER INSIDE THE SYMBOL  CORRESPONDS TO THE NUMBER ON THE INSPECTION REPORT FOR THIS DRAWING/PART NUMBER	TOTAL NO. OF SYMBOLS ON DRAWING	5	
	LAST NO. USED	5	

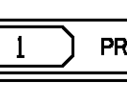
DWG STATUS				ZONE	REVISION HISTORY			AUTH	DR	CK	APVD	
DATE	STG	REV	CHG	N/P		ALL PARTS - CLEARED REV COLUMN & REVISED PROCESS SENSITIVE DIMENSION			202544	EOV	BEG	DN
04AU00	R	001	-	-								

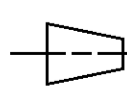


- NOTES
- UNLESS OTHERWISE SPECIFIED AND/OR INDICATED: DIMENSIONS ARE TO FACE OF VIEW SHOWN AND AUTOMATICALLY ROUNDED BY COMPUTER FOR INSPECTION (SEE MATH MODEL FOR PRECISE DIMENSIONS). FOR ALL OTHER DIMENSIONS NOT SHOWN BUT REQUIRED FOR TOOL BUILD, SEE MATH MODEL FOR PRECISE TOOL PATH DATA.
  - MATING COMPONENTS OR EQUIVALENT:  
CONNECTOR 12047682  
TERMINAL 12040993  
MAX INSULATION CRIMP MUST BE LESS THAN 3 HIGH AND 2.6 WIDE.
  - THIS CONNECTOR WILL PASS THRU A  $\varnothing$  10.5 MIN HOLE.

15336691	R	A1	-		RO071791 PA66 HS IM-BRN	0.755	6901
15336689	R	A1	-		RO071782 PA66 HS IM-YEL	0.755	6901
15336687	R	A1	-		RO071790 PA66 HS IM-BLU	0.755	6901
15336685	R	A1	-		RO071787 PA66 HS IM-GRN LT	0.755	6901
15336683	R	A1	-		RO071753 PA66 HS IM-NAT	0.755	6901
15336681	R	A1	-		RO071786 PA66 HS IM-RED	0.755	6901
15336679	R	A1	-		RO071784 PA66 HS IM-GRA MD	0.755	6901
12047683	R	B3	-		RO071754 PA66 HS IM-BLK	0.755	6900-6901

PART NO	STG	REV	N/P	STATUS	MATERIAL SPECIFICATION AND COLOR	VOLUME (CM <sup>3</sup> )	CODE NO
---------	-----	-----	-----	--------	----------------------------------	---------------------------	---------

 PROCESS SENSITIVE DIMENSION  
DIMENSIONS ENCLOSED IN ( ) INDICATE REFERENCE DIMENSIONS AND NO TOLERANCE LIMITS ARE ESTABLISHED

<b>DELPHI</b> Automotive Systems																																						
MATERIAL SPEC SEE CHART		<table border="1"> <thead> <tr> <th colspan="4">DIMENSIONAL RANGE (MM)</th> <th>CHART E</th> </tr> <tr> <th>FROM</th> <th>TO</th> <th>&gt; 20</th> <th>&gt; 30</th> <th>&gt; 70</th> <th>&gt; 100</th> </tr> </thead> <tbody> <tr> <td>0</td> <td>20</td> <td>30</td> <td>70</td> <td>100</td> <td></td> </tr> <tr> <td colspan="6">TOLERANCE UNLESS OTHERWISE SPECIFIED</td> </tr> <tr> <td colspan="2">±0.15</td> <td>±0.2</td> <td>±0.3</td> <td>±0.4</td> <td>±0.5</td> </tr> <tr> <td colspan="6">ANGULAR TOLERANCE ± 2°</td> </tr> </tbody> </table>		DIMENSIONAL RANGE (MM)				CHART E	FROM	TO	> 20	> 30	> 70	> 100	0	20	30	70	100		TOLERANCE UNLESS OTHERWISE SPECIFIED						±0.15		±0.2	±0.3	±0.4	±0.5	ANGULAR TOLERANCE ± 2°					
DIMENSIONAL RANGE (MM)				CHART E																																		
FROM	TO	> 20	> 30	> 70	> 100																																	
0	20	30	70	100																																		
TOLERANCE UNLESS OTHERWISE SPECIFIED																																						
±0.15		±0.2	±0.3	±0.4	±0.5																																	
ANGULAR TOLERANCE ± 2°																																						
PART DRAWING																																						
CODE NUMBER SEE CHART	DWG DATE 23FE9B	SCALE 5:1	<b>D</b>																																			
QC SPEC	STYLE	VOLUME cm <sup>3</sup> SEE CHART																																				
PART GEOMETRY 3D SOLID	UNLESS OTHERWISE SPECIFIED: THIS DOCUMENT IS IN ACCORDANCE WITH ASME Y14.5M - 1994 AS AMENDED BY THE GM GLOBAL DIMENSIONING AND TOLERANCING ADDENDUM - 1997. ALL GEOMETRIC TOLERANCES AND RELATED DATUMS APPLY RFS. RULE #1 (PERFECT FORM AT MMC) DOES NOT APPLY WHEN RELATIONSHIP BETWEEN FEATURES IS ESTABLISHED BY ORIENTATION OR LOCATION TOLERANCES. SEPARATE POSITION CALLOUTS MAY BE GAGED SEPARATELY REGARDLESS OF DATUM REFERENCES.																																					
COPY OF MATH DATA DO NOT SCALE	REFERENCE 001,701	DR APVD1 J. IBARRA APVD2 R. MOYSEN APVD3 B. GEARHEART APVD4 APVD5	DATE 23FE9B 17MR9B 30MR9B																																			
	METRIC UNLESS OTHERWISE SPECIFIED, ALL DIMENSIONS ARE IN MILLIMETERS																																					
THIRD ANGLE PROJECTION 	DRAWING NAME TAXI CONN 1M M/P 150																																					
SHEET NUMBER 1 OF 1	DRAWING NUMBER 15336693	DWG STATUS STG REV N/P R 001 -	SIZE A1																																			