

D

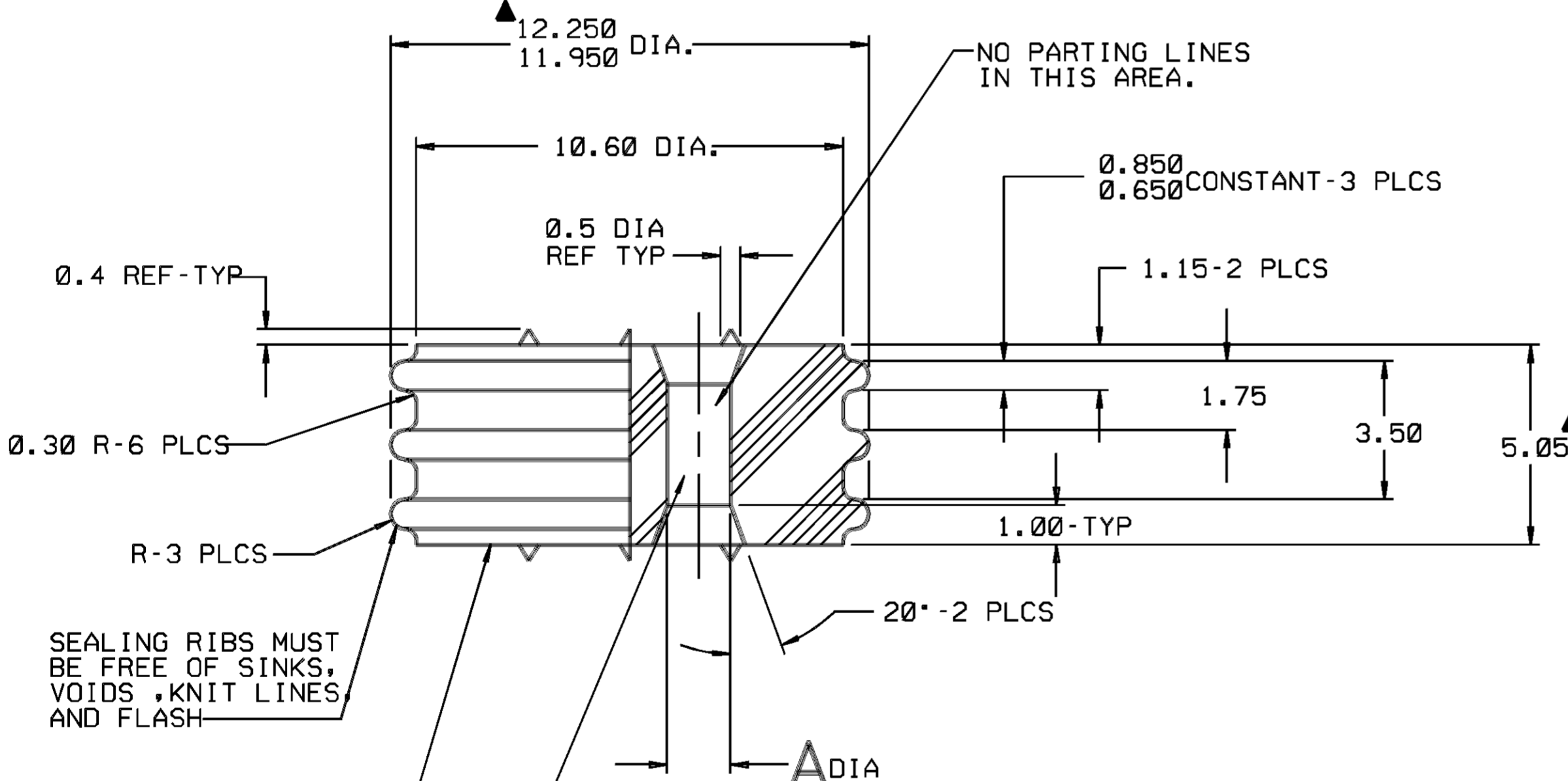
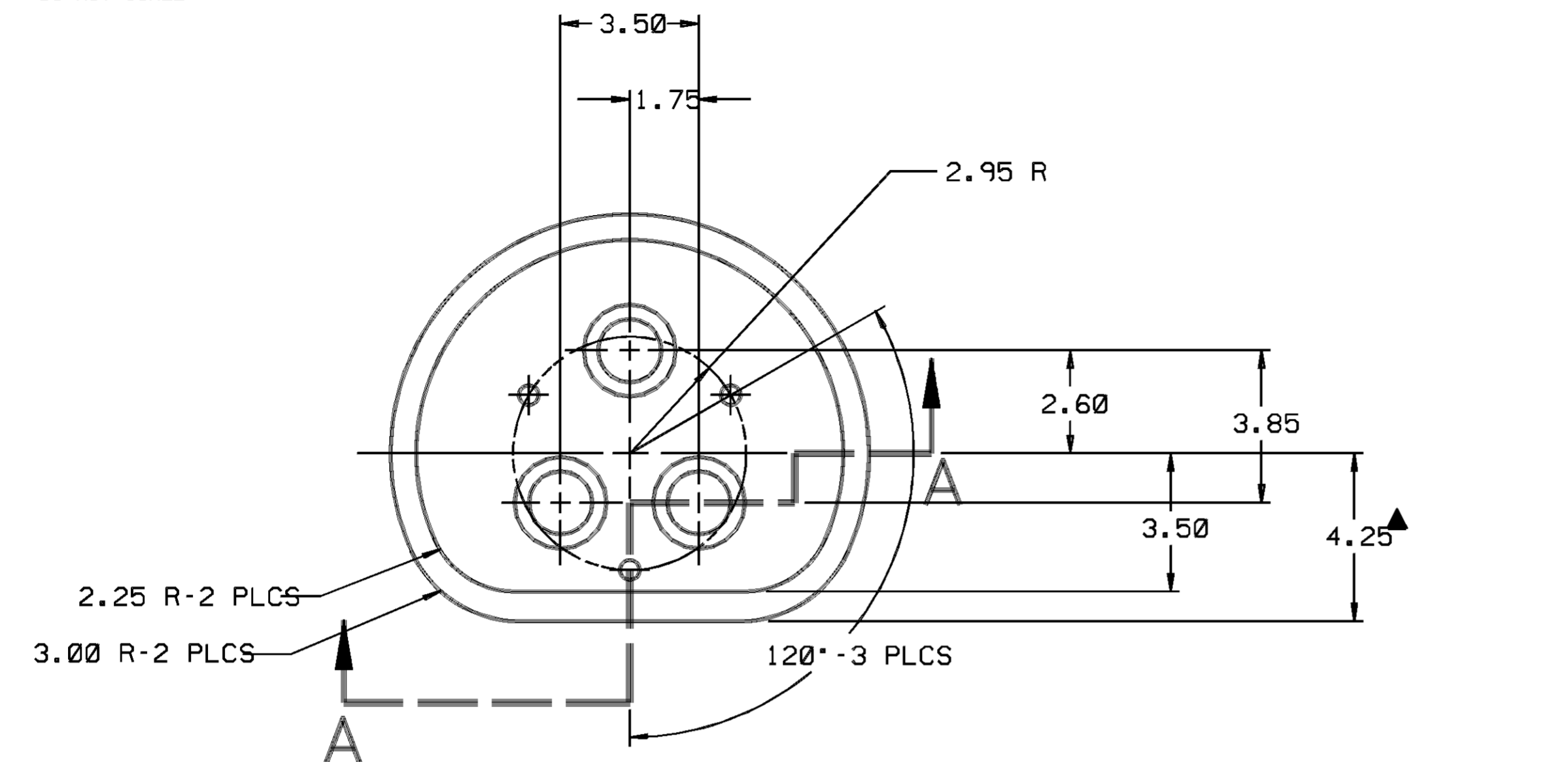
THIS DRAWING AND DESIGN HEREON CONSTITUTES A PROPRIETARY DESIGN OF PACKARD ELECTRIC DIVISION AND IS NOT TO BE DUPLICATED OR REPRODUCED WITHOUT AUTHORITY OF PACKARD ELECTRIC DIVISION.

DO NOT SCALE

DATE	SYM	REVISION RECORD	AUTHORITY	DR	CK
07DE87	-	12065285 - WAS SEPARATE 'C' SIZE			
		REV. LEVEL REMAINS AT 'B'	117058	RB	FH
07DE87	-	12078089 - RELEASED TO REV. 'A'	870005	RB	FH
09FE90	-	12110072 - RELEASED TO REV. 'A'	900005	ATL	ATL

PART NO. 1207 8092

PACKARD ELECTRIC DIVISION
GENERAL MOTORS CORPORATION
WARREN, OHIO



SEALING RIBS MUST BE FREE OF SINKS, VOIDS, KNIT LINES AND FLASH
FLASH AT INJECTION AREA NOT TO EXCEED 0.40 HIGH X 0.80 THK.

SEALING SURFACES MUST BE FREE OF SINKS, VOIDS, KNIT LINES, AND FLASH

SECTION A-A

- NOTES—
1. CABLE SEALING HOLES ARE IDENTICAL.
 2. PARTS MUST BE DEFLASHED, WASHED AND DRIED AFTER MOLDING.
 3. PARTS TO BE PACKED IN PLASTIC BAGS.
 4. PARTS MUST BE SHIPPED IN SEALED CONTAINERS.
 5. THIS COMPONENT IS TOoled OR USED AT REINSHAGEN. PHYSICAL CHANGES TO THIS PART MUST FIRST BE APPROVED BY REINSHAGEN COMPONENT ENGINEERING.
 6. THIS PART IS CONTROLLED FOR AUTOMATIC FEEDING AS DENOTED ON DRAWING WITH ▲ ' '.

SEAL NO.	REV	STATUS	MAT'L SPEC & COLOR	A DIA.	SEALING RANGE	ASM. NO. USED
12110072	A		R-70018 SILICONE - TAN	1.300-1.100	1.42-1.68 DIA CABLE	12065287
12078089	A		R-70015 SILICONE - BLUE	1.500-1.300	1.65-2.15 DIA CABLE	12078090
12065285	B		R-70017 SILICONE - DK. RED	1.700-1.500	2.03-2.40 DIA CABLE	12065287

PED / NIERGRAPH MICROSTATION		FILE SPEC: ****USER**** DGN SPECIFICATION***** ****SYTIME*****
THIRD ANGLE PROJECTION		METRIC DIMENSIONS ARE IN MILLIMETERS UNLESS OTHERWISE SPECIFIED.
CODE NO. 6901	TOLERANCE UNLESS OTHERWISE SPECIFIED DECIMAL: ONE PLACE ±0.3 ANGULAR ±2° TWO PLACE ±0.15	
Q.C.-R-4066	SCALE 8:1	DR. RON BALDWIN 07DE87
DWG. DATE 07DE87	EST. NO.	CK. F. HESTON DATE 11DE87
REFERENCE NO.	APPR. R. J. CANNATTI DATE 21DE87	APPR. J. SVETTE DATE 16MR89
MATERIAL SPEC. SEE CHART		
NAME CABLE SEAL		
PART NO. 1207 8092	SIZE C	