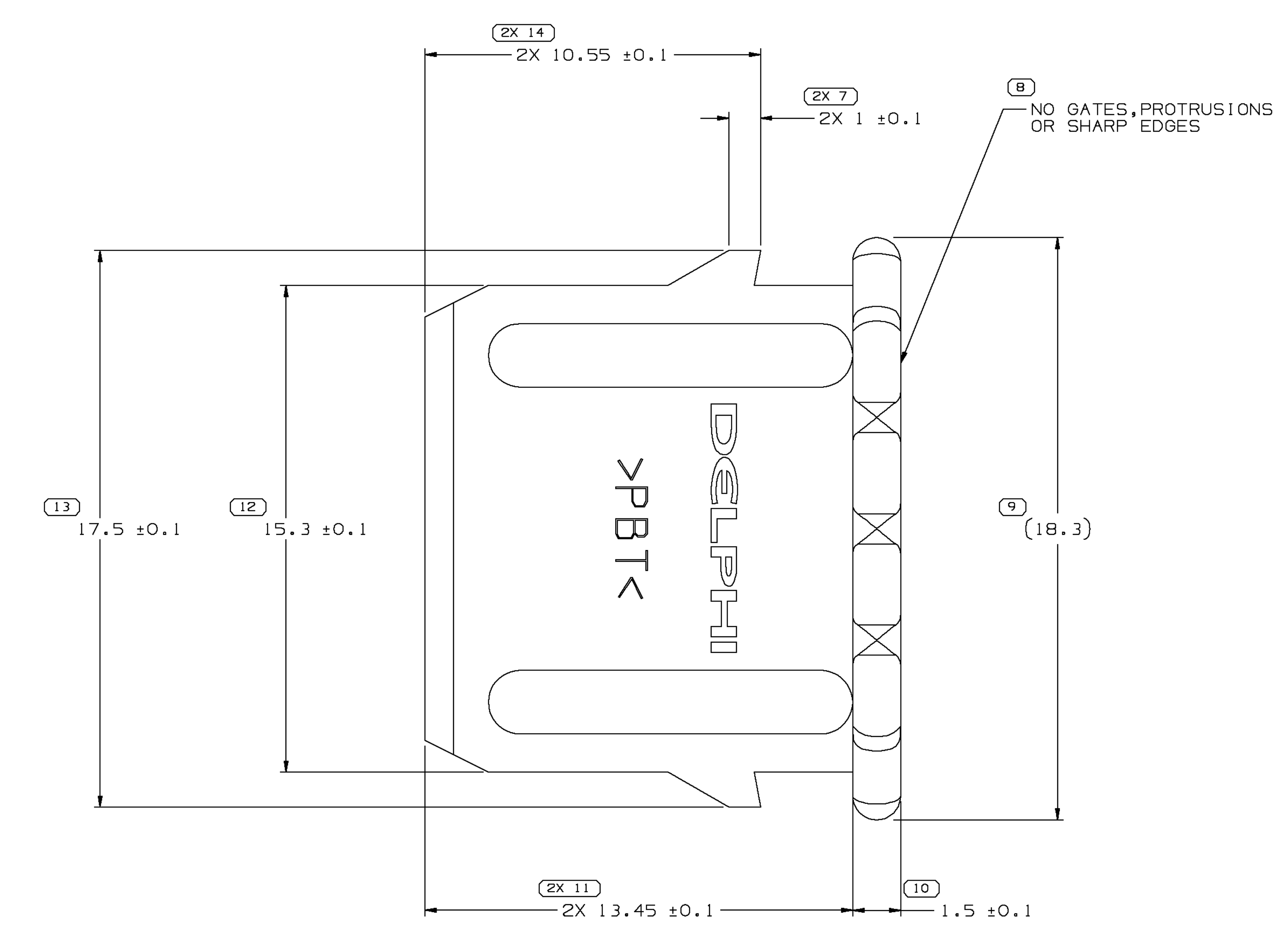
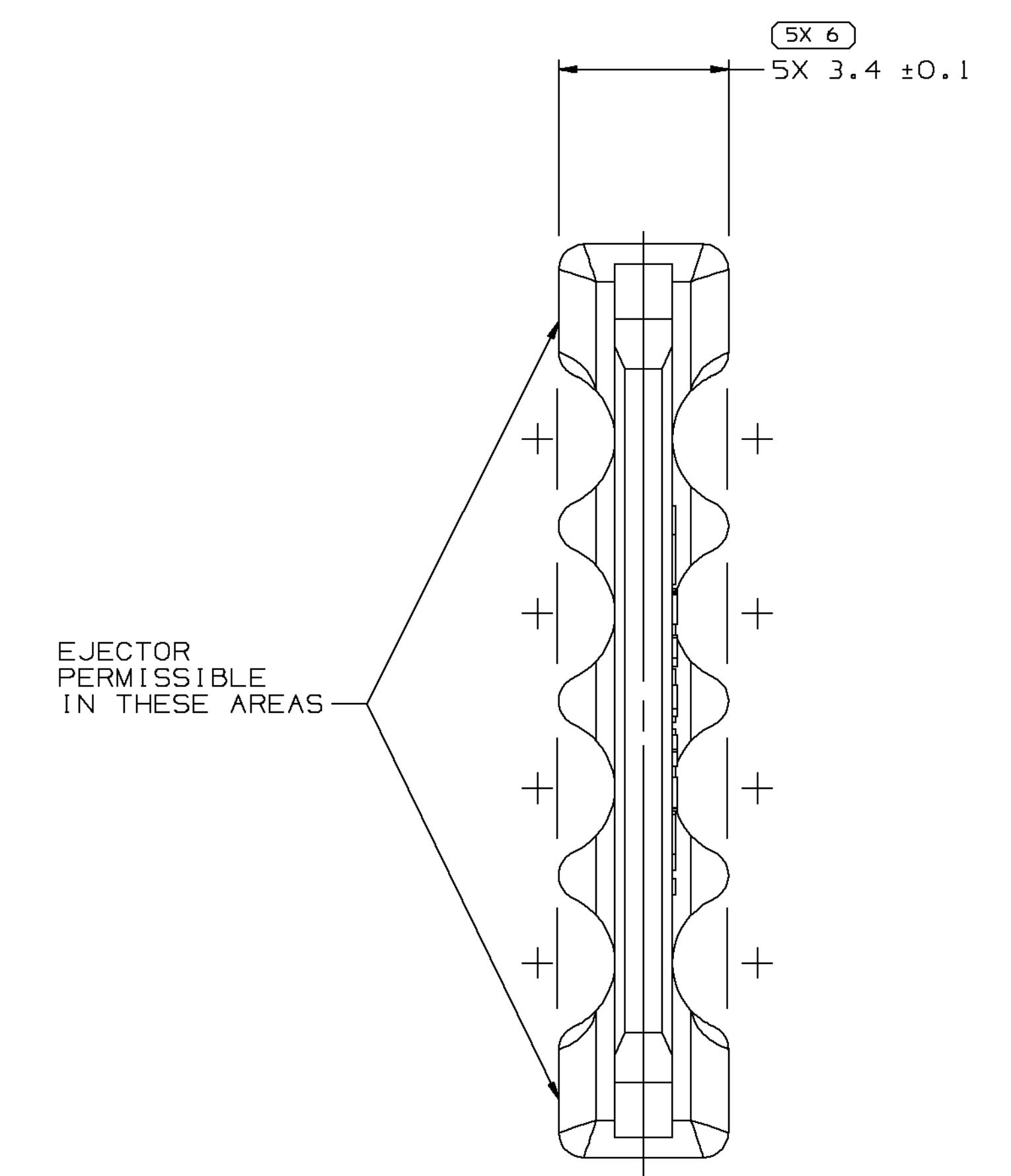
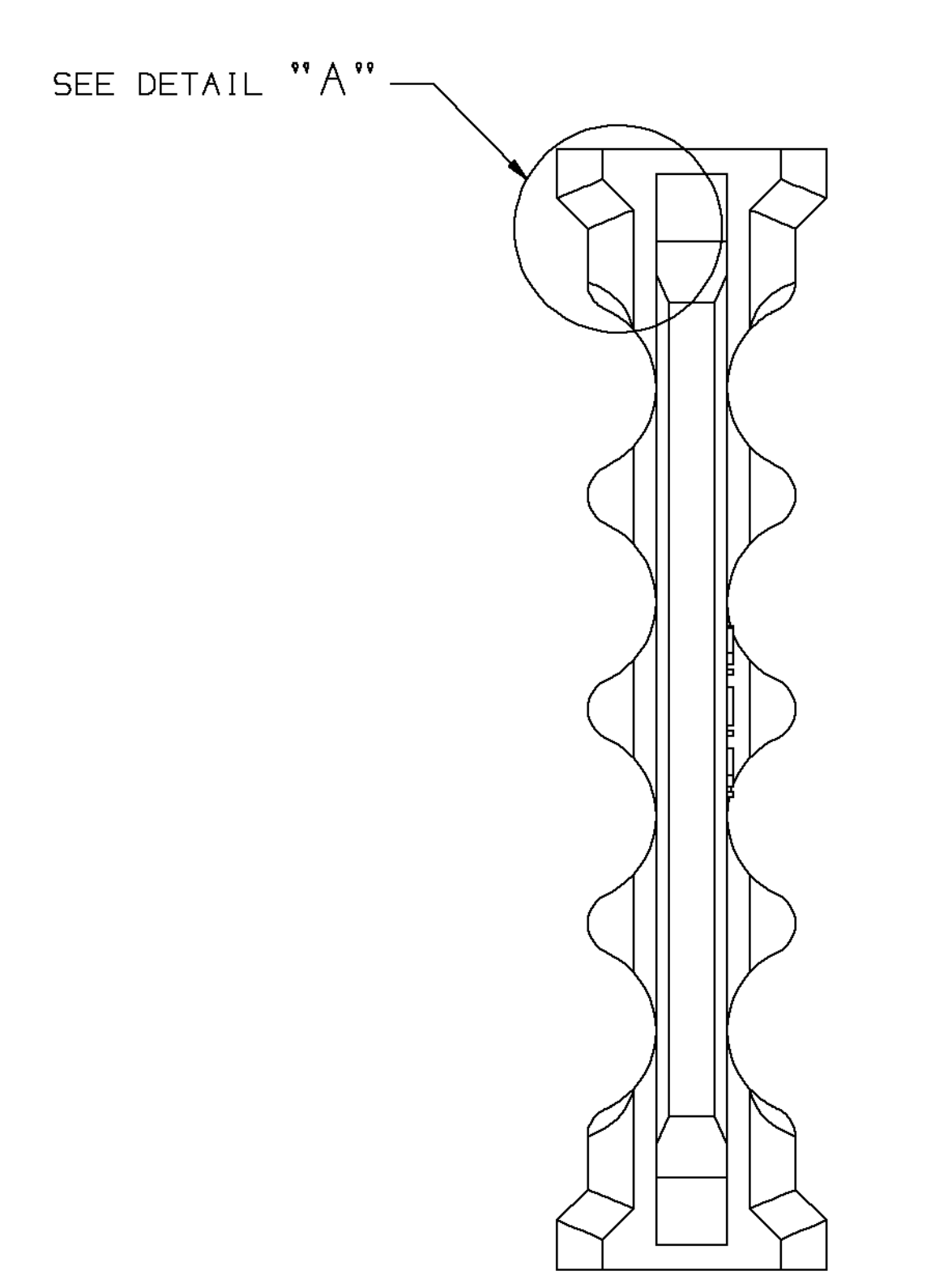
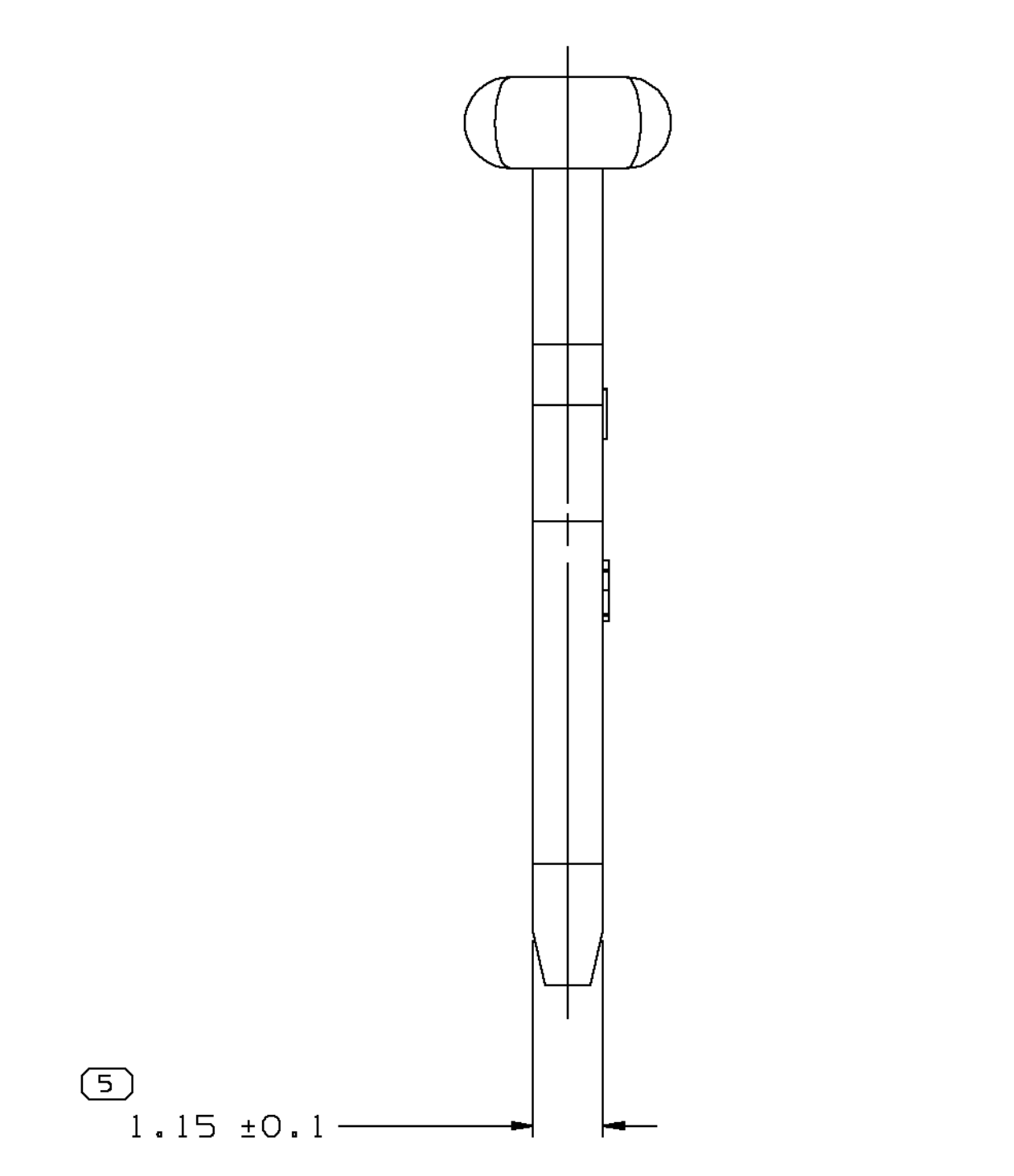
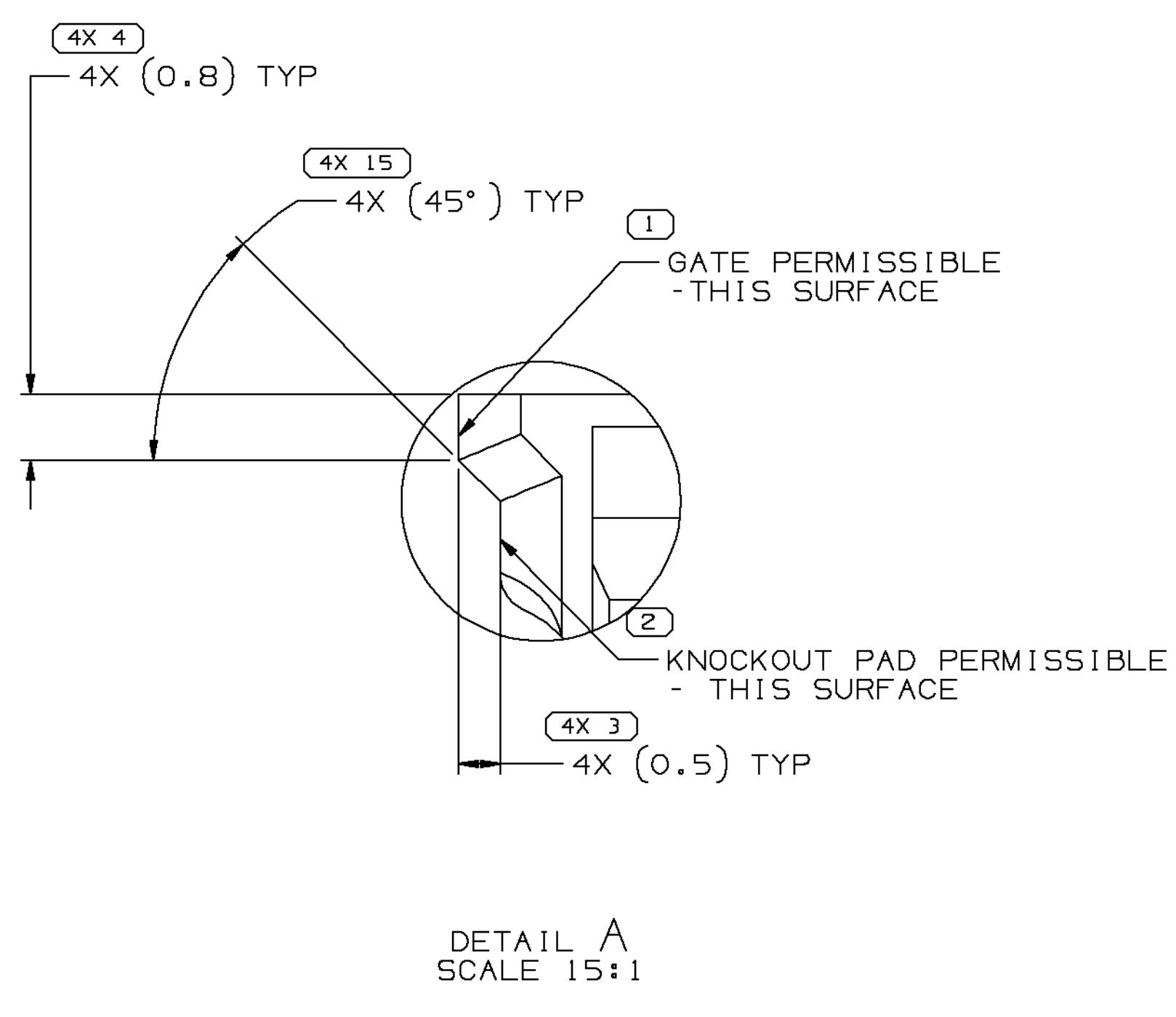


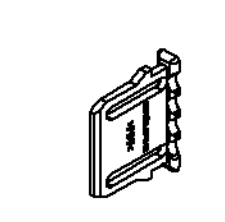
SYMBOL DEFINITION		MISSING SYMBOLS	
A DIMENSION WITHOUT AN INSPECTION REPORT SYMBOL DOES NOT REQUIRE INSPECTION. IT MAY BE CONTROLLED ON THE INDIVIDUAL COMPONENT DRAWING.	TOTAL NO OF INSPECTIONS REQUIRED	NO MISSING SYMBOL NUMBER	
	31		
	LAST NO. USED		
	15		

DWG STATUS					REVISION HISTORY					AUTH		
DATE	STG	REV	W/P	CHG	ZONE	NO	BY	DATE	REASON	APPD	DR	APPD
22AU02	R	01	-	-		12064768			CREATED PD	229422	HH	RH

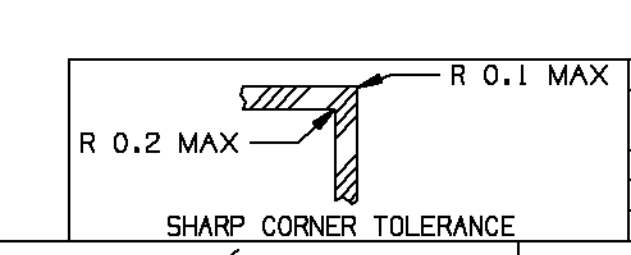


OPTIONAL CONSTRUCTION

- NOTES
- UNLESS OTHERWISE SPECIFIED AND/OR INDICATED: DIMENSIONS ARE TO FACE OF VIEW SHOWN AND AUTOMATICALLY ROUNDED BY COMPUTER FOR INSPECTION (SEE MATH MODEL FOR PRECISE DIMENSIONS). FOR ALL OTHER DIMENSIONS NOT SHOWN BUT REQUIRED FOR TOOL BUILD, SEE MATH MODEL FOR PRECISE TOOL PATH DATA.
  - MATERIAL RECYCLING CODE >PBT< PER SAE J1344. (2,3)X(0,1) RAISED CHARACTERS AS SHOWN TO BE LOCATED ON ANY EXTERIOR SURFACE. OPTIONAL CONSTRUCTION TO BE NO MATERIAL RECYCLING CODE.
  - THIS PART IS NOT CONTROLLED FOR AUTOMATIC FEEDING.
  - MATING COMPONENTS OR EQUIVALENT: CONNECTOR 12064766
  - (2,3)X(0,1) RAISED DELPHI CORPORATE BRAND TO BE LOCATED ON ANY EXTERIOR SURFACE, PREFERABLY VISIBLE AT FINAL ASSEMBLY. OPTIONAL CONSTRUCTION TO BE "PED" OR NO LOGO.
  - FOR POLYESTER IN PROCESS MOISTURE AND PART DEGRADATION LIMITS, SEE ESO- 1502



(13) PROCESS SENSITIVE DIMENSION	
FROM	TO
0	20
20	30
30	70
70	100
100	150
150	200
200	250
250	300
300	400



DIMENSIONAL RANGE (MM)		CHART ET	
FROM	TO	1	2
0	20	±0.1	±0.1
20	30	±0.1	±0.1
30	70	±0.1	±0.1
70	100	±0.1	±0.1
100	150	±0.1	±0.1
150	200	±0.1	±0.1
200	250	±0.1	±0.1
250	300	±0.1	±0.1
300	400	±0.1	±0.1

DWG TYPE		PART DRAWING	
STYLE	SEE CHART	DISTR CODE	D
VOLUME (DPI)	6901		
ROUTING			

UNLESS OTHERWISE SPECIFIED	
THIS DOCUMENT IS IN ACCORDANCE WITH ASME Y14.5M-1994 AS AMENDED BY THE GW GLOBAL DIMENSIONING AND TOLERANCING ADDENDUM - 1997. ALL DIMENSIONAL TOLERANCES AND RELATED DATUMS APPLY UNLESS OTHERWISE SPECIFIED.	
UNLESS OTHERWISE SPECIFIED	
ANGULAR TOLERANCE ±2°	

THIRD ANGLE PROJECTION		DO NOT SCALE	
USE MATH DATA			

**DELPHI**  
DELPHI PACKARD ELECTRIC SYSTEMS  
WARREN, OH

OR	DATE
APV01 H. HERNANDEZ	22AU02
APV02 R. HERMOSILLO	22AU02
APV03 E. TRACEY	26AU02
APV04	
APV05	

MATERIAL: SEE CHART  
SUBSTANCES OF CONCERN AND RECYCLED CONTENT PER DELPHI 10949001

DRAWING NAME: TAXI TPA M/P 150  
DRAWING NUMBER: 12124719

SIZE	SCALE	FRAME NO	SHEET NO	STG	REV	W/P
A0	10:1	1	1	1	01	-

12124717	A	OBSOLETE	PM002348-002 1M POLYESTER-BLK	0.246
12064768	C3		M4695002 PBT BLK	0.246
PART NO	REV	STATUS	MATERIAL SPECIFICATION AND COLOR	VOL