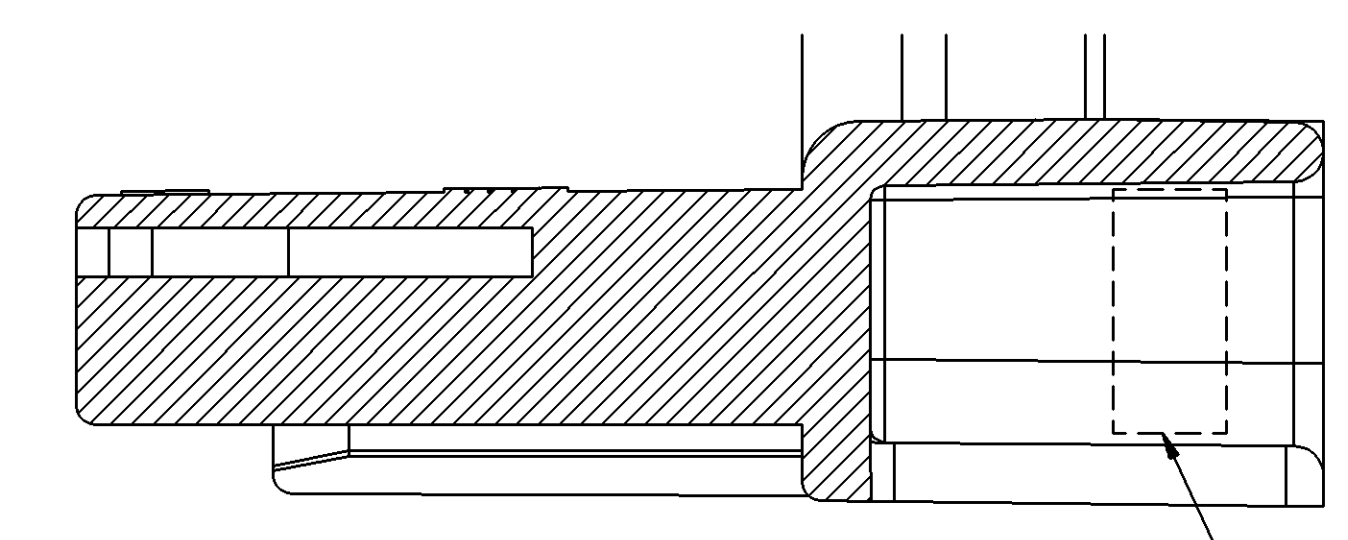
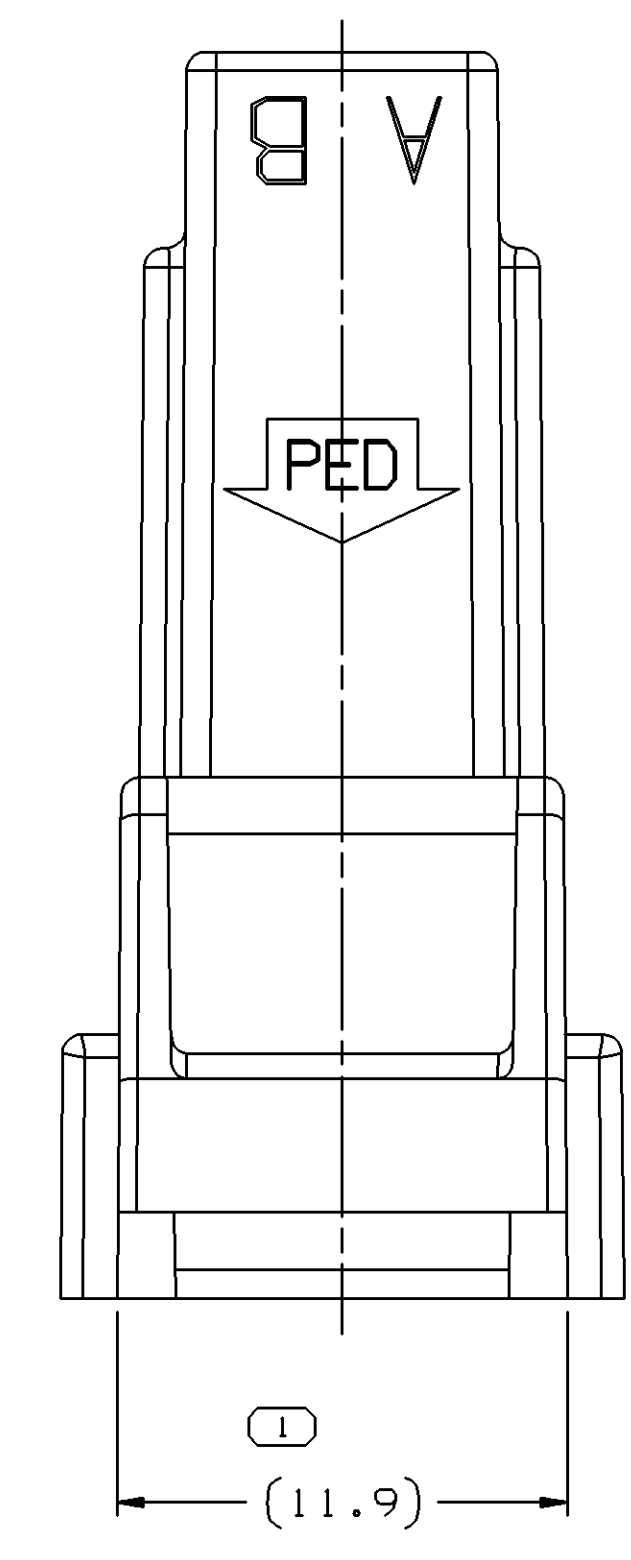
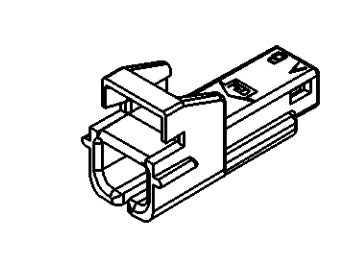
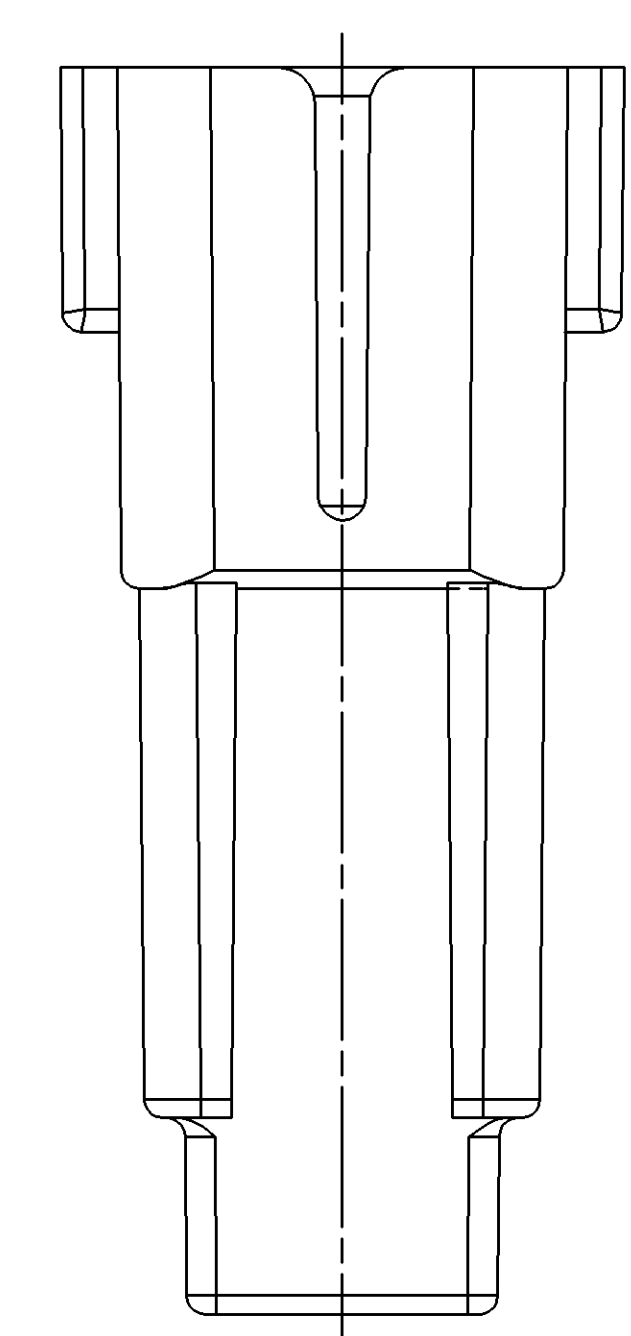
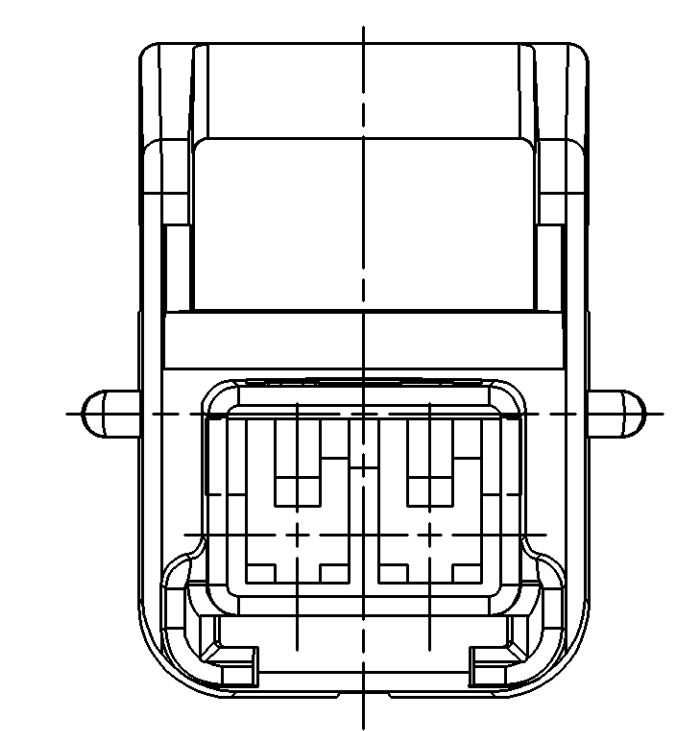
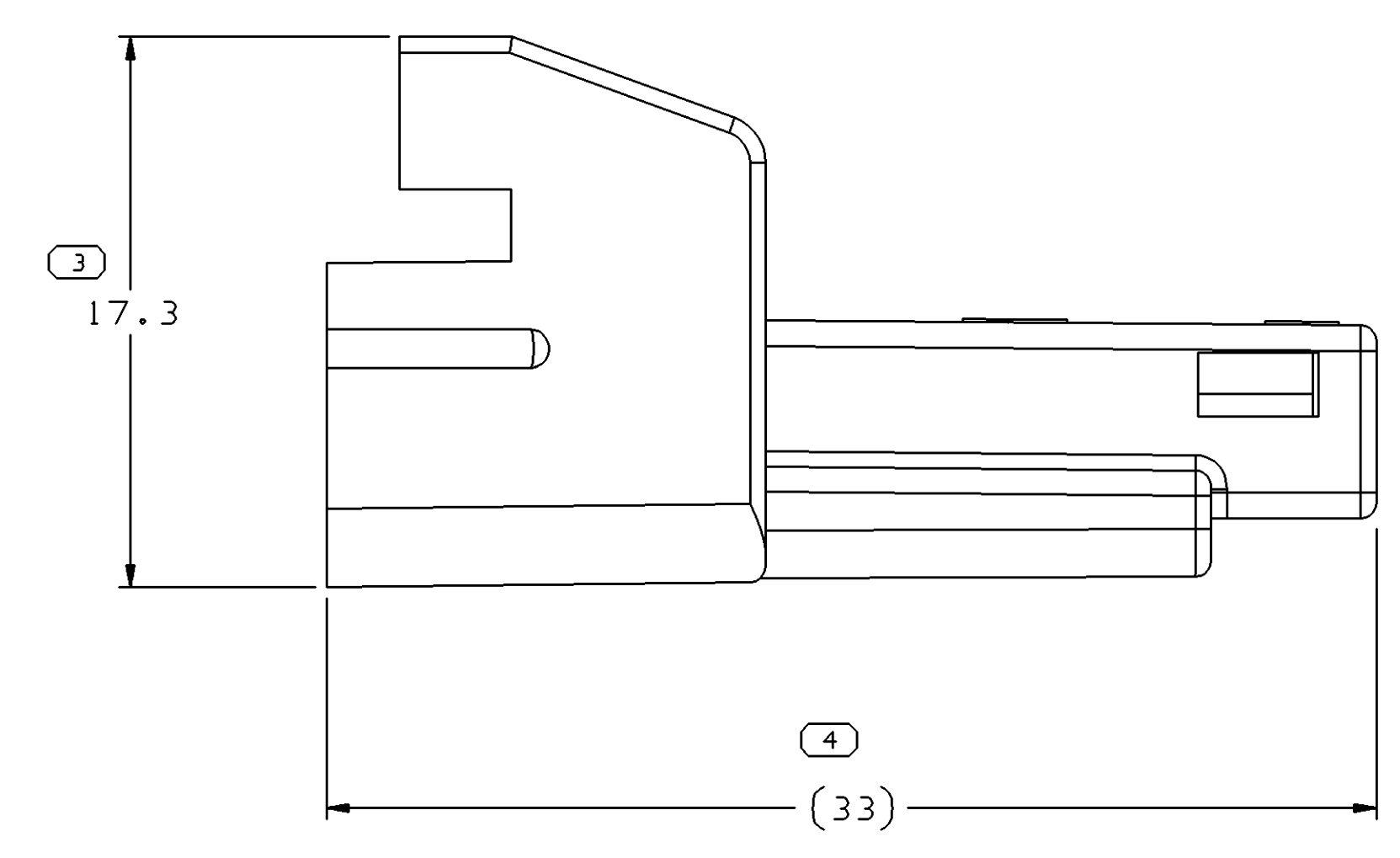
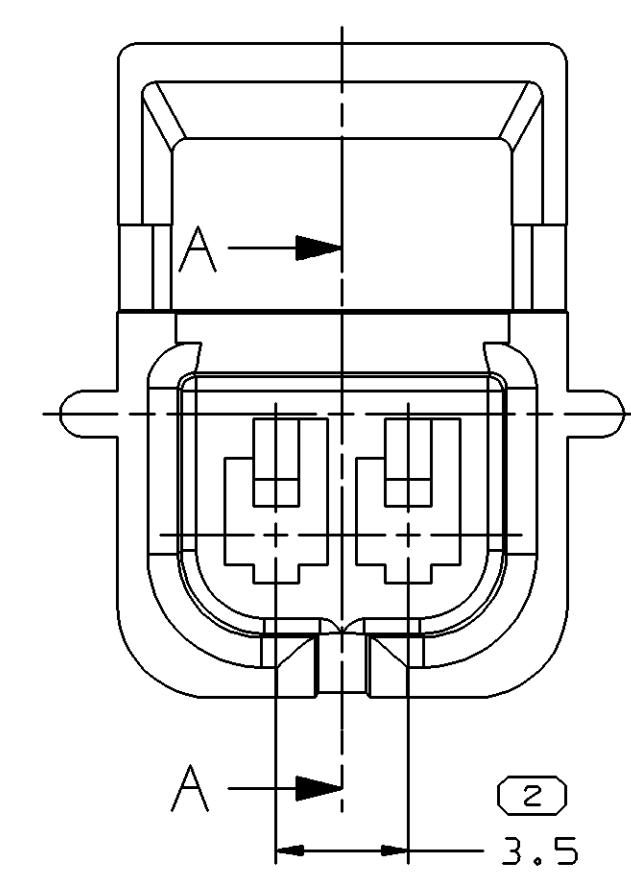


SYMBOL DEFINITION		MISSING NUMBERS		DWO STATUS				REVISION HISTORY				AUTH	DR	APVD1	APVD2	
THE NUMBER INSIDE THE SYMBOL CORRESPONDS TO THE NUMBER ON THE INSPECTION REPORT FOR THIS DRAWING/PART NUMBER	TOTAL NO. OF SYMBOLS ON DRAWING	LAST NO. USED		DATE	STG	REV	N/P	CHG	ZONE							
	4			21 JUN 99	R	03	-	-			REDRAWN TO PART DRAWING AND MAT'L SPEC WAS R0100151	193551	JTG	FKV	JR	
				17 FEB 00	R	03	AA	-			DIM 17.3 WAS DIM (17.3)	199280	RGT	HH	EAR	
				06 NOV 03	R	03	AB	-			ADDED PULLOUT GROOVES ACCEPTABLE NOTE	247373	JEB	JEB	BG	



SECTION A - A  
PULLOUT GROOVES ACCEPTABLE THIS AREA.



- NOTES
- UNLESS OTHERWISE SPECIFIED AND/OR INDICATED: DIMENSIONS ARE TO FACE OF VIEW SHOWN AND AUTOMATICALLY ROUNDED BY COMPUTER FOR INSPECTION. (SEE MATH MODEL FOR PRECISE DIMENSIONS.) FOR ALL OTHER DIMENSIONS NOT SHOWN BUT REQUIRED FOR TOOL BUILD, SEE MATH MODEL FOR PRECISE TOOL PATH DATA.
  - MATING COMPONENTS OR EQUIVALENT: CONNECTOR 12052832
  - THIS PART ACCEPTS THE FOLLOWING COMPONENTS OR EQUIVALENT: MAX. INSULATION CRIMP MUST BE LESS THAN 3 HIGH AND 2.6 WIDE CAVITIES TO ACCEPT 12040993 TERMINAL OR EQUIVALENT. SECONDARY TERMINAL LOCK 12047665 OR EQUIVALENT.
  - THIS CONNECTOR WILL PASS THROUGH A  $\varnothing 20$  MIN HOLE.

3 PROCESS SENSITIVE DIMENSION	
DIMENSIONS ENCLOSED IN ( ) INDICATE REFERENCE DIMENSIONS AND NO TOLERANCE LIMITS ARE ESTABLISHED	CHART E
FROM 4.0	> 20
TO 20	> 30
	> 70
	> 100
TOLERANCE UNLESS OTHERWISE SPECIFIED	
±0.15   ±0.2   ±0.3   ±0.4   ±0.5	
ANGULAR TOLERANCE 12°	

DWO TYPE PART DRAWING	
STYLE	DISTR CODE
VOLUME (CM³) 1.763	D
ROUTING 6900,6901	
UNLESS OTHERWISE SPECIFIED	
THIS DOCUMENT IS IN ACCORDANCE WITH ASME Y14.5M-1994 AS AMENDED BY THE DIMENSIONAL DIMENSIONS AND TOLERANCING ADDENDUM-2002. SEPARATE PATTERNING OF FEATURES MAY BE GIVEN SEPARATELY REGARDLESS OF DATUM REFERENCES.	
ALL DIMENSIONS ARE IN MILLIMETERS	
REFERENCE	001,701

THIRD ANGLE PROJECTION	DO NOT SCALE	UNGRAPHS
USE MATH DATA		

**DELPHI**  
DELPHI PACKARD ELECTRIC SYSTEMS  
WARREN, OH

DR	DATE
APVD1 ANDY T. LE	250CB5
APVD2 F. HESTON	310CB5
APVD3 R. PETROSKY	05NOB5
APVD4	
APVD5	

SUBSTANCES OF CONCERN AND RECYCLED CONTENT PER DELPHI 10949001

MATERIAL M3592001 PLAS PA66 HS 1M BLK

DRAWING NAME  
CONN 2 M M/P 150 BLK

DRAWING NUMBER  
**12052833**

SIZE AO	SCALE 5:1	FRAME NO 1	SHEET NO 1	REV R	N/P 03	AB
---------	-----------	------------	------------	-------	--------	----