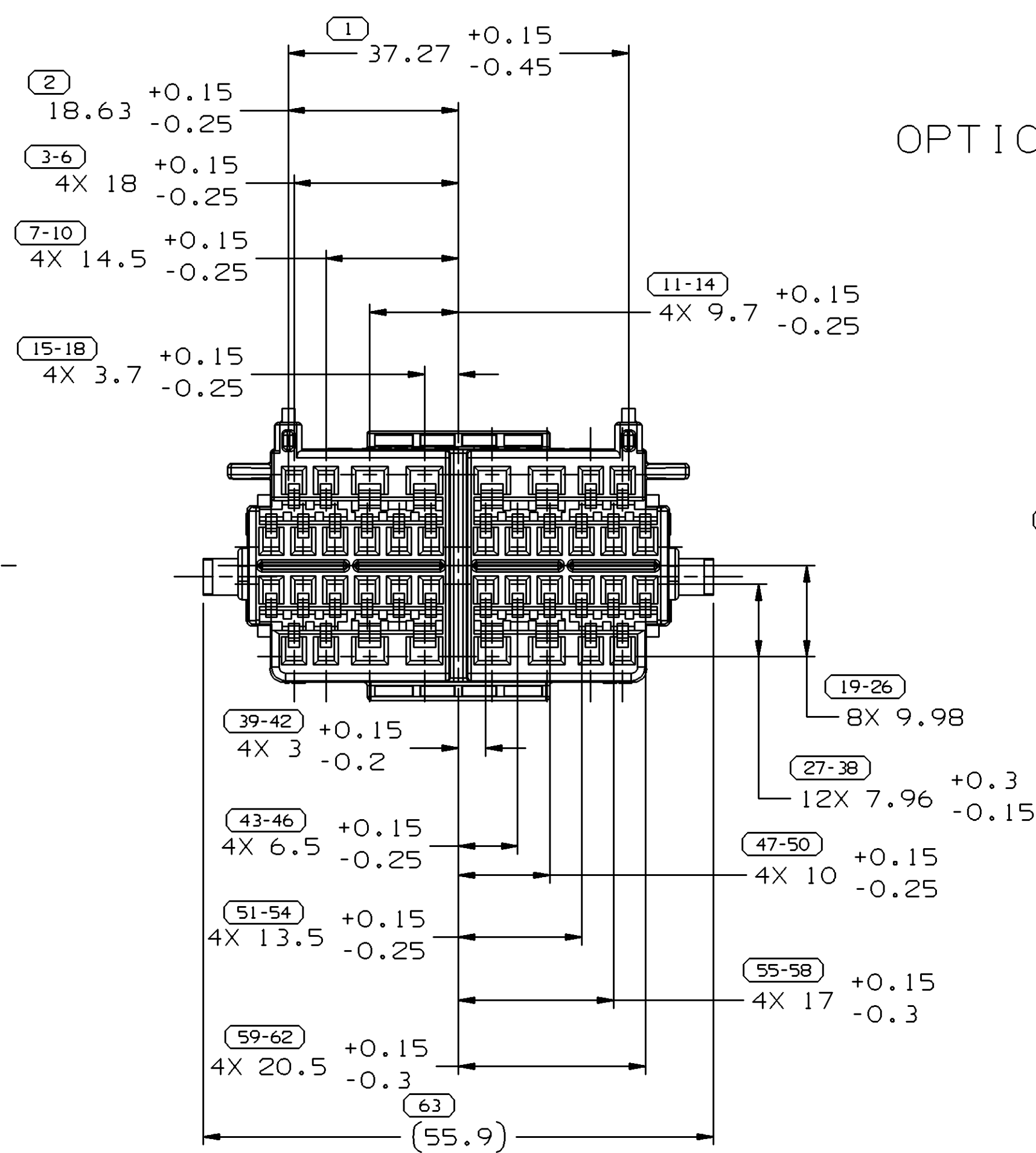


SYMBOL DEFINITION		MISSING NUMBERS	
A DIMENSION WITHOUT AN INSPECTION REPORT SYMBOL  DOES NOT REQUIRE INSPECTION. IT MAY BE CONTROLLED ON AN INDIVIDUAL COMPONENT DRAWING.	TOTAL NO. OF SYMBOLS ON DRAWING	18	
	LAST NO. USED	66	

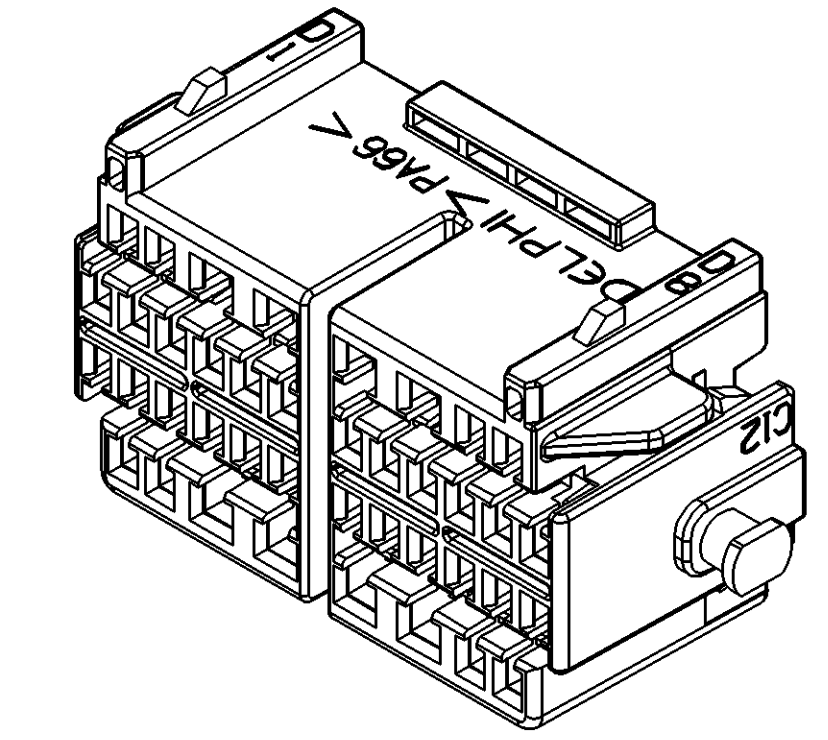
DWG STATUS					ZONE	REVISION HISTORY	AUTH	DR	APVD1	APVD2
DATE	STG	REV	N/P	CHG						
09SE02	R	01	-	-		RELEASED	230427	CJC	CJC	CAM
08SE03	R	01	AA	-		ADDED OPTIONAL CONSTRUCTION VIEW	245594	AMG	AMG	MLP
17AU04	R	01	AB	-		UPDATED PDM ATTRIBUTES	257898	HAM	HAM	MLP
20JA05	R	01	AC	-		ADDED (28.48) AND REVISED NOTE 2	263234	HAM	HAM	MLP

OPTIONAL CONSTRUCTION

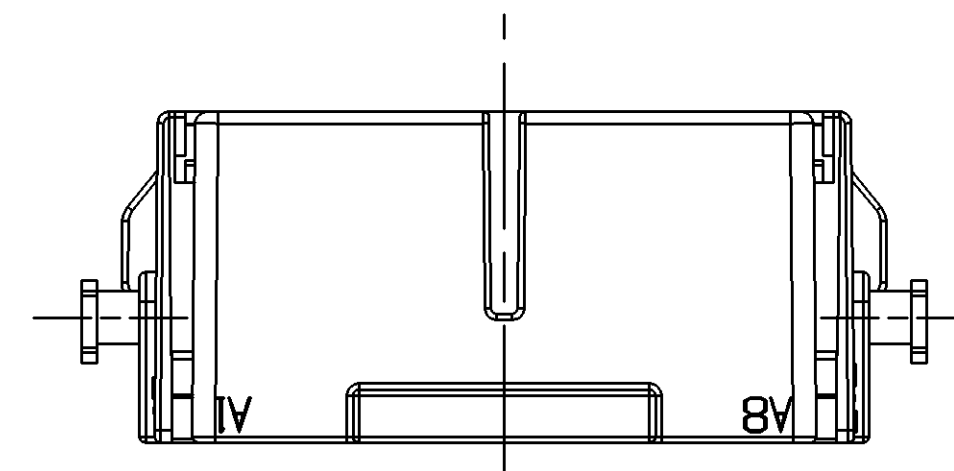


NOTES:

- UNLESS OTHERWISE SPECIFIED AND/OR INDICATED: DIMENSIONS ARE TO FACE OF VIEW SHOWN AND AUTOMATICALLY ROUNDED BY COMPUTER FOR INSPECTION. (SEE MATH MODEL FOR PRECISE DIMENSION) FOR ALL OTHER DIMENSIONS NOT SHOWN BUT REQUIRED FOR TOOL BUILD, SEE MATH MODEL FOR PRECISE TOOL PATH DATA.
- MATING COMPONENTS:  
CONNECTOR 15475869  
SECONDARY TERMINAL LOCK (TPA) 15304842 OR EQUIVALENT  
TERMINALS -  
CAVITIES A1, A2, A7, A8, B1-B12, C1-C12, D1, D2, D7, D8 TO ACCEPT 12191812 TERMINAL OR EQUIVALENT.  
MAX. INSULATION CRIMP MUST BE LESS THAN 3.15 HIGH AND 2.8 WIDE  
CAVITIES A3-A6, D3-D6 TO ACCEPT 15304710 TERMINAL OR EQUIVALENT.  
MAX. INSULATION CRIMP MUST BE LESS THAN 3.65 HIGH AND 4.2 WIDE
- MATERIAL RECYCLING CODE PER ISO 11469. (2.3)X(0.1)RAISED CHARACTERS AS SHOWN TO BE LOCATED ON ANY EXTERIOR SURFACE. OPTIONAL CONSTRUCTION TO BE NO MATERIAL RECYCLING CODE.
- TO BE USED WITH APPROPRIATE DELPHI PACKARD ELECTRIC SYSTEMS DESIGNED HOLDERS.
- TO BE PROCESSED USING DELPHI PACKARD ELECTRIC SYSTEMS BEST PRACTICE METHOD OR CUSTOMER ASSEMBLY INSTRUCTIONS.
- (2.3)X(0.1) RAISED DELPHI CORPORATE BRAND TO BE LOCATED ON ANY EXTERIOR SURFACE, PREFERABLY VISIBLE AT FINAL ASSEMBLY. OPTIONAL CONSTRUCTION TO BE "PED" OR NO LOGO.



VIEW SCALE DOES NOT REFLECT ACTUAL PART SIZE



DIMENSIONAL RANGE (MM)		CHART E1	
FROM	TO	TOLERANCE UNLESS OTHERWISE SPECIFIED	ANGULAR TOLERANCE ±2°
> 0	> 20	±0.15	
> 20	> 30	±0.2	
> 30	> 70	±0.3	
> 70	> 100	±0.4	
> 100	> 150	±0.5	
> 150	> 200	±0.6	
> 200	> 250	±0.8	
> 250	> 300	±1	
> 300	> 400	±1.2	

DWG TYPE		PART DRAWING	
STYLE		D	
VOLUME (CM³)	DISTR CODE		
11.716	D		
UNLESS OTHERWISE SPECIFIED			
THIS DOCUMENT IS IN ACCORDANCE WITH ASME Y14.5M-1994 AS AMENDED BY THE GM GLOBAL DIMENSIONING AND TOLERANCING ADDENDUM - 1997. ALL GEOMETRIC TOLERANCES AND RELATED DATUMS APPLY RFS. RULE #1 PERFECT FORM AT MMC DOES NOT APPLY WHEN RELATIONSHIP BETWEEN FEATURES IS ESTABLISHED BY ORIENTATION OR LOCATION TOLERANCES. SEPARATE POSITION CALLOUTS MAY BE GAGED SEPARATELY, REGARDLESS OF DATUM REFERENCE.			
ALL DIMENSIONS ARE IN MILLIMETERS			
REFERENCE			
THIRD ANGLE PROJECTION	DO NOT SCALE		
	USE MATH DATA		

**DELPHI**  
DELPHI PACKARD ELECTRIC SYSTEMS  
WARREN, OH

DR	DATE
APVD1 CRAIG J. COGGINS	09SE02
APVD2 CRAIG J. COGGINS	09SE02
APVD3 C. MANSKY	09SE02
APVD4	
APVD5	
SUBSTANCES OF CONCERN AND RECYCLED CONTENT PER DELPHI 10949001	
MATERIAL M3592001 PA66 HS 1M-BLK	
DRAWING NAME CONN 40 F GT 150 280	
DRAWING NUMBER 15448129	
SIZE A1	SCALE 2:1
FRAME NO 1 OF 1	SHEET NO 1 OF 1
STG R	REV 01
N/P	AC