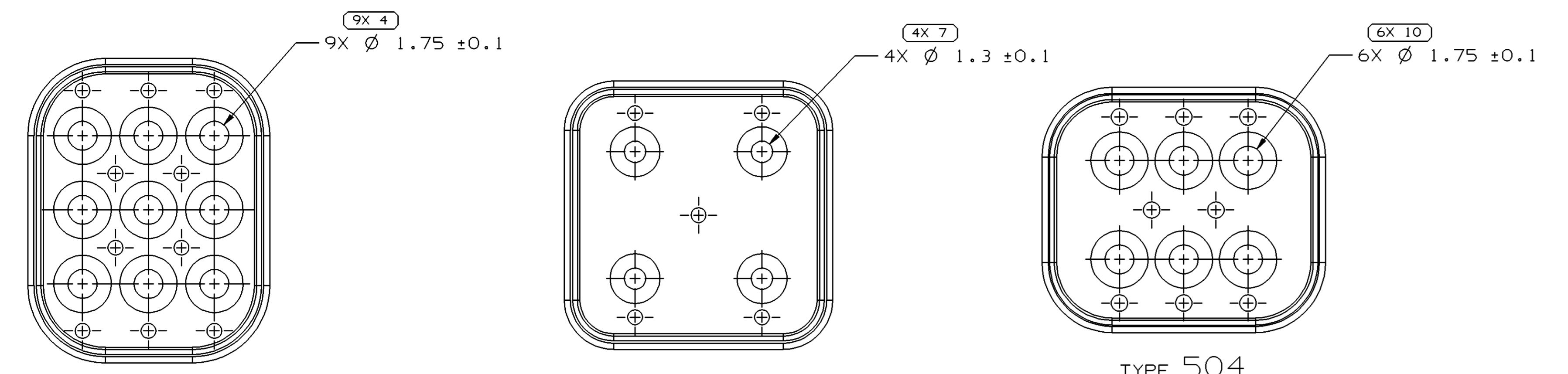
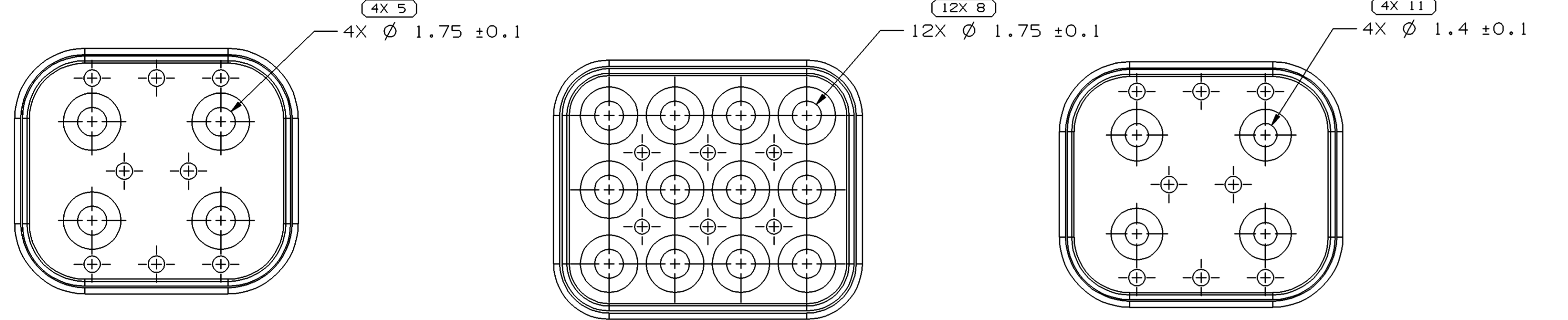


SYMBOL DEFINITION		MISSING SYMBOLS	
A DIMENSION WITHOUT AN INSPECTION REPORT SYMBOL DOES NOT REQUIRE INSPECTION. IT MAY BE CONTROLLED ON THE INDIVIDUAL COMPONENT DRAWING.	TOTAL NO OF INSPECTIONS REQUIRED	NO MISSING SYMBOL NUMBER	
	119		
	LAST NO. USED		
	18		

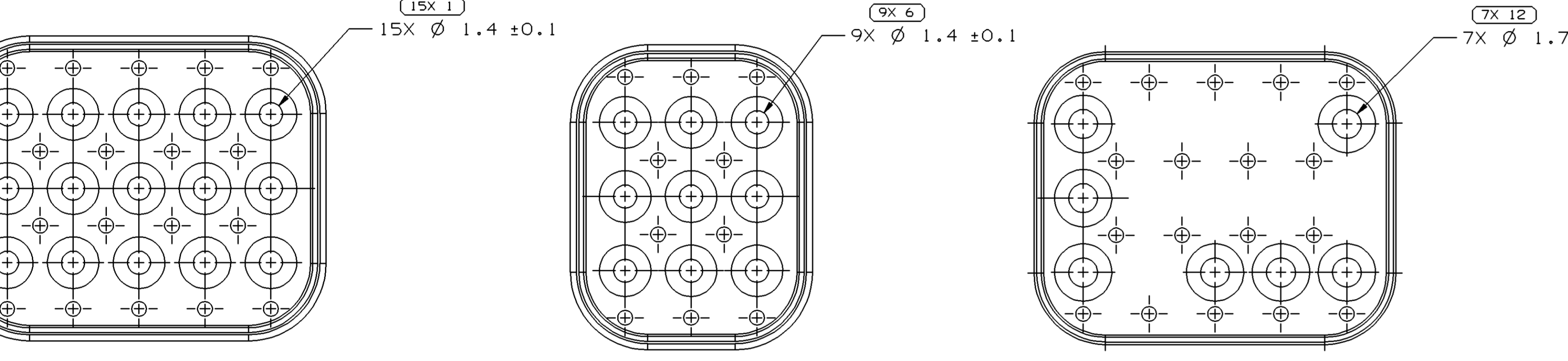
DWO STATUS		ZONE		REVISION HISTORY		AUTH		DR		APVD	
DATE	STG	REV	N/P	CHK							
22N099	R	01	-	-		ALL PARTS - REDRAWN TO PD: 12186509 & 12186510 - REINSTATED	990010	RH	HH	RH	
16N000	R	02	-	-		12193535 - WAS SEPARATE DWG	203922	EGR	EOV	JR	
06DE00	R	03	-	-		15404335 - RELEASED	000005	EOV	EOV	JR	
14SE01	R	04	-	-		12186510 - REVISED CABLE DIA CHART	213529	RCH	RCH	JR	
100C03	R	05	-	-		CHANGED CABLE DIA CHART ON PD TO 2-2.4, WAS 1.65-2.15	247284	LMB	LMB	MR	
17N004	R	06	-	-		ALL ACTIVE PARTS - ADDED PARTS 12193536, 12193539 & 12193539 WERE ON SEPARATE DRAWINGS; REVISED MAT'L SPEC FROM R-SPEC TO M-SPEC	261422	RH	RH	MR	
08FE05	R	07	-	-		12092200 - OBSOLETE	264480	MDH	JAA	MKM	



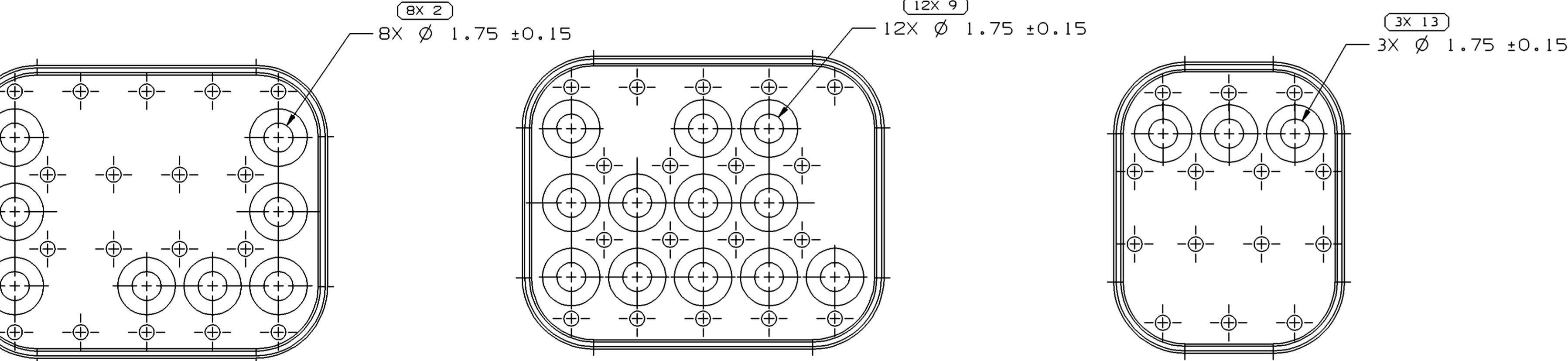
TYPE 502 SAME AS TYPE 501 EXCEPT AS SHOWN
 TYPE 503 SAME AS TYPE 501 EXCEPT AS SHOWN
 TYPE 504 SAME AS TYPE 501 EXCEPT AS SHOWN



TYPE 505 SAME AS TYPE 501 EXCEPT AS SHOWN
 TYPE 506 SAME AS TYPE 501 EXCEPT AS SHOWN
 TYPE 507 SAME AS TYPE 501 EXCEPT AS SHOWN



TYPE 508 SAME AS TYPE 501 EXCEPT AS SHOWN
 TYPE 509 SAME AS TYPE 501 EXCEPT AS SHOWN
 TYPE 510 SAME AS TYPE 501 EXCEPT AS SHOWN

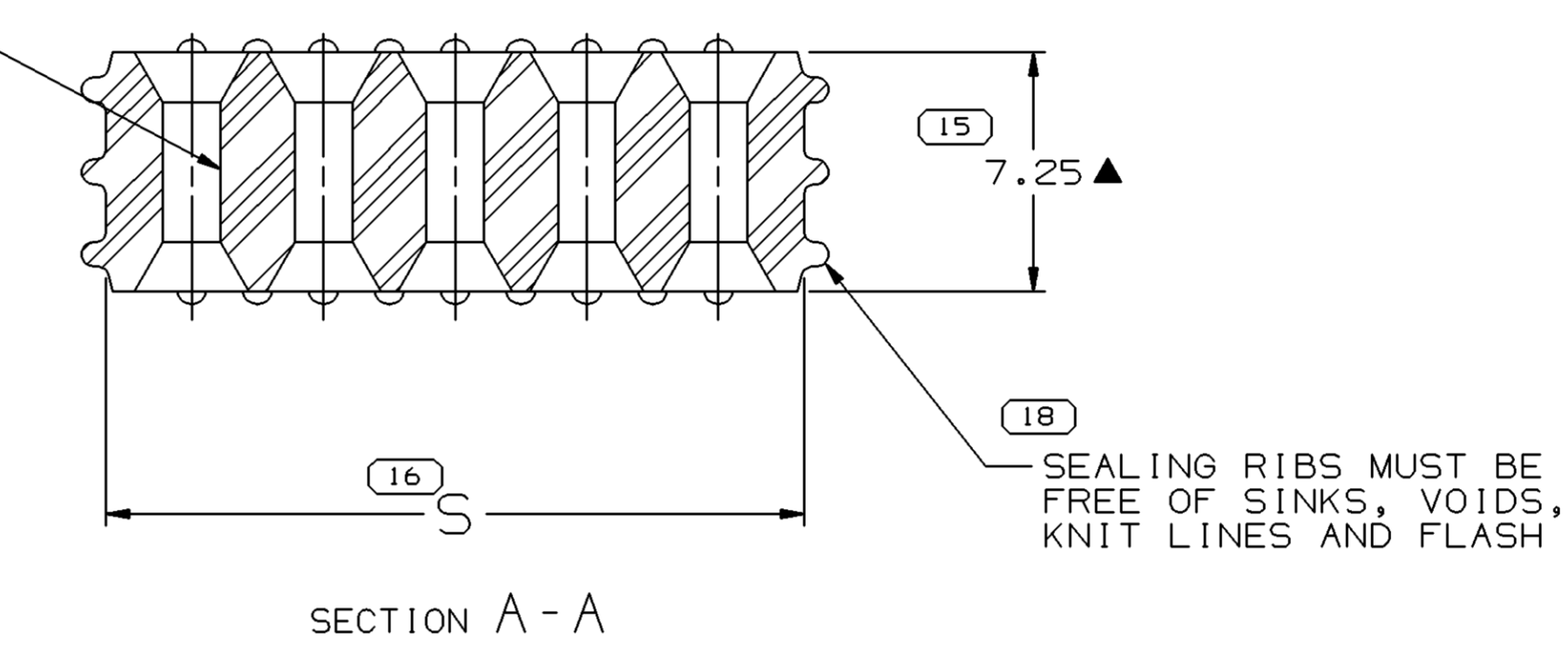


TYPE 511 SAME AS TYPE 501 EXCEPT AS SHOWN
 TYPE 512 SAME AS TYPE 501 EXCEPT AS SHOWN
 TYPE 513 SAME AS TYPE 501 EXCEPT AS SHOWN

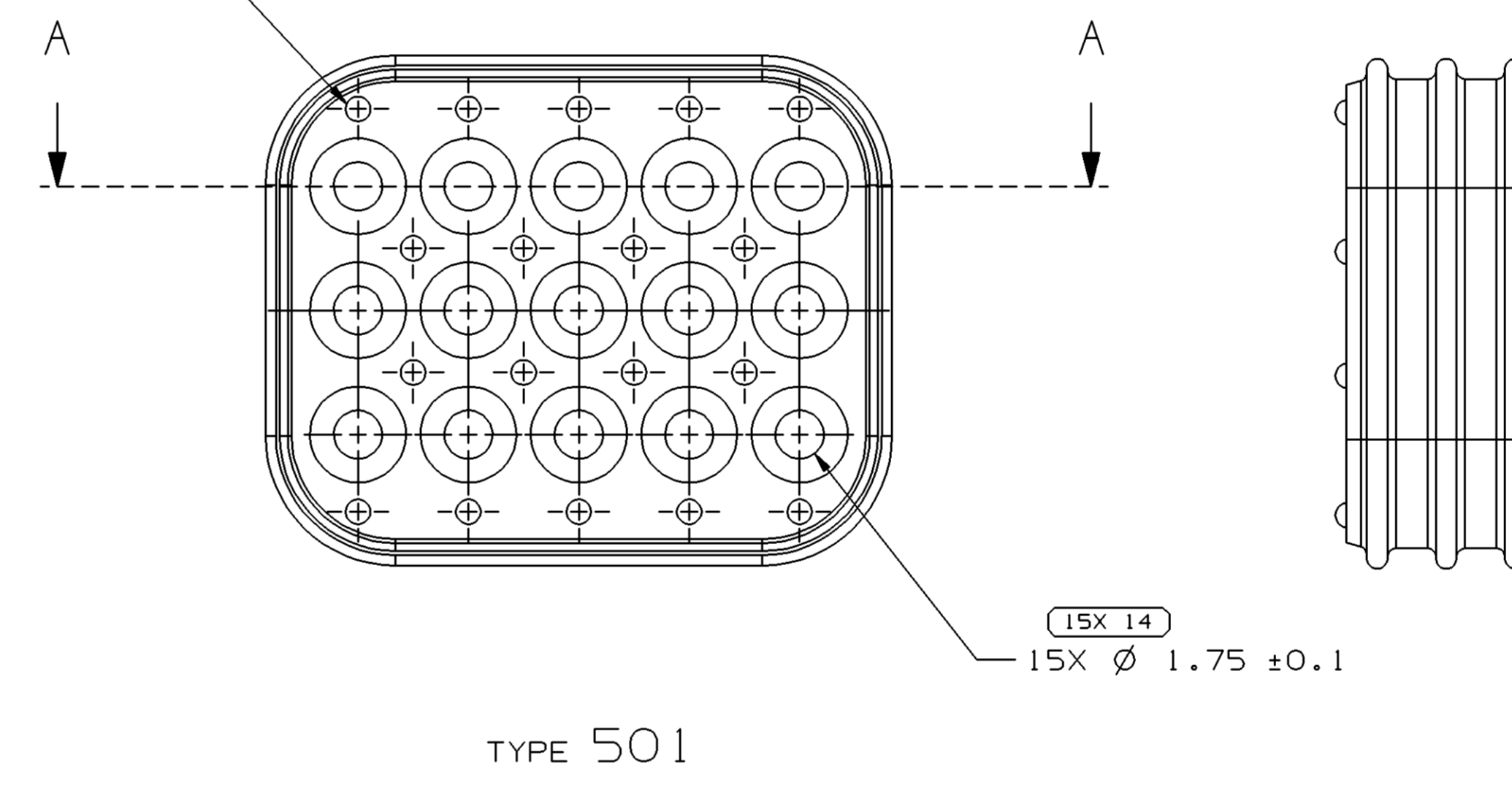


TYPE 514 SAME AS TYPE 501 EXCEPT AS SHOWN

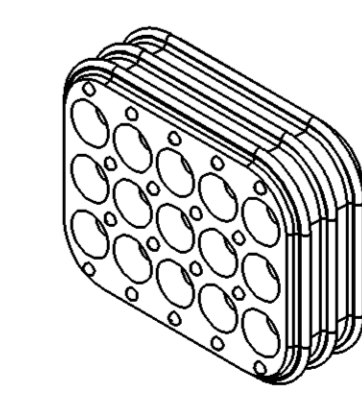
17 SEALING SURFACES MUST BE FREE OF SINKS, VOIDS, KNIT LINES AND FLASH



QUANTITY AND LOCATION OF ANTI-STICK BUMPS MAY VARY



- NOTES:
- UNLESS OTHERWISE SPECIFIED AND/OR INDICATED: DIMENSIONS ARE TO FACE OF VIEW SHOWN AND AUTOMATICALLY ROUNDED BY COMPUTER FOR INSPECTION (SEE MATH MODEL FOR PRECISE DIMENSIONS). FOR ALL OTHER DIMENSIONS NOT SHOWN BUT REQUIRED FOR TOOL BUILD, SEE MATH MODEL FOR PRECISE TOOL PATH DATA. SEALING HOLES ARE IDENTICAL. SEALING RIBS ARE IDENTICAL.
 - THIS PART IS CONTROLLED FOR AUTOMATIC FEEDING AS DENOTED ON DRAWING WITH ▲.
 - PARTS ARE TO BE PACKAGED IN SEALED PLASTIC BAGS. GROSS WEIGHT INCLUDING CARTON IS NOT TO EXCEED 34 POUNDS.



VIEW SCALE DOES NOT REFLECT ACTUAL PART SIZE

PART NO	REV	N/P	STATUS	MATERIAL SPECIFICATION	COLOR (REF ONLY)	TYPE	TERM CAV	CABLE DIA ±0.05	S	TYPICAL MATING CONNECTOR (REF)	VOLUME CM ³
12193539	C1	-		M2261011	WHT	514	9	2-2.4	13.25	12040920	1.423
12193538	D1	-		M2261008	BLU	513	9	2-2.4	13.25	12040920	1.531
12193536	C1	-		M2261011	WHT	512	15	2-2.4	21.2	12034397	2.303
15404335	01	AA		M2261029	TAN	511	15	2-2.4	21.2	12034397	2.411
12193535	D1	-		M2261008	BLU	510	15	2-2.4	21.2	12034397	2.438
12186510	A5	-		M2261029	TAN	509	9	1.9±0.25	13.2	12040920	1.441
12186509	A4	-		M2261029	TAN	508	15	1.9±0.25	21.2	12034397	2.338
12110217	A2	-		M2261019	RED DK	507	6	1.9±0.25	15.7	12064814	1.46
12092200	A3	-	OBSOLETE	M2261001	GRN	506	12	2-2.4	17.24	12092201	1.504
12089869	A2	-		M2261008	BLU	505	6	2-2.4	15.7	12064814	1.429
12064810	A2	-		M2261001	GRN	504	6	2-2.4	15.7	12064814	1.375
12064791	B2	-	OBSOLETE	R0072821	GRN	503	4	1.64-2.25	14.8	12064786	1.573
12040936	A2	-		M2261001	GRN	502	9	2-2.4	13.2	12040920	1.372
12040879	A2	-		M2261001	GRN	501	15	2-2.4	21.2	12034397	2.222

DIMENSIONAL RANGE (MM)	TOLERANCE	CHART REF
FROM 0 TO >0	>0	1
>0 TO >20	>0	2
>20 TO >30	>0	3
>30 TO >70	>0	4
>70 TO >100	>0	5
>100 TO >150	>0	6
>150 TO >200	>0	7
>200 TO >250	>0	8
>250 TO >300	>0	9
>300 TO >400	>0	10

DWO TYPE		PART DRAWING	
STYLE		DISTR CODE	D
VOLUME (CM ³)	SEE CHART		
UNLESS OTHERWISE SPECIFIED			
THIS DOCUMENT IS IN ACCORDANCE WITH ASME Y14.5M-1994 AS MODIFIED BY THE ON-SIGNAL DIMENSIONING AND TOLERANCING ADDENDUM-2003. SEPARATE PATTERNS OF FEATURES MAY BE OBTAINED SEPARATELY. REWORKING OF DATUM REFERENCES.			
ALL DIMENSIONS ARE IN MILLIMETERS			
REFERENCE		THIRD ANGLE PROJECTION	DO NOT SCALE
		USE MATH DATA	UNGRAPHS

DELPHI
 DELPHI PACKARD ELECTRIC SYSTEMS
 WARREN, OH

DR	DATE
APVD1 B. BENETTO	05AUB7
APVD2 F. HESTON	24AUB7
APVD3 R. PARKHURST	01SEB7
APVD4	
APVD5	

SUBSTANCES OF CONCERN AND RECYCLED CONTENT PER DELPHI 10949001

MATERIAL SEC. CHART

DRAWING NAME: TAXI SEAL CBL OW

DRAWING NUMBER: 12077525

SIZE: A0 SCALE: 5:1 FRAME NO: 1 OF 1 SHEET NO: 5 OF 5