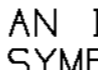
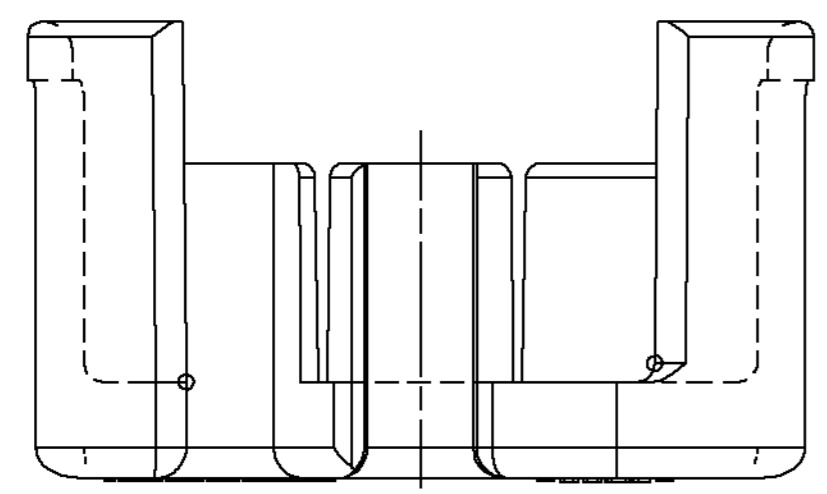
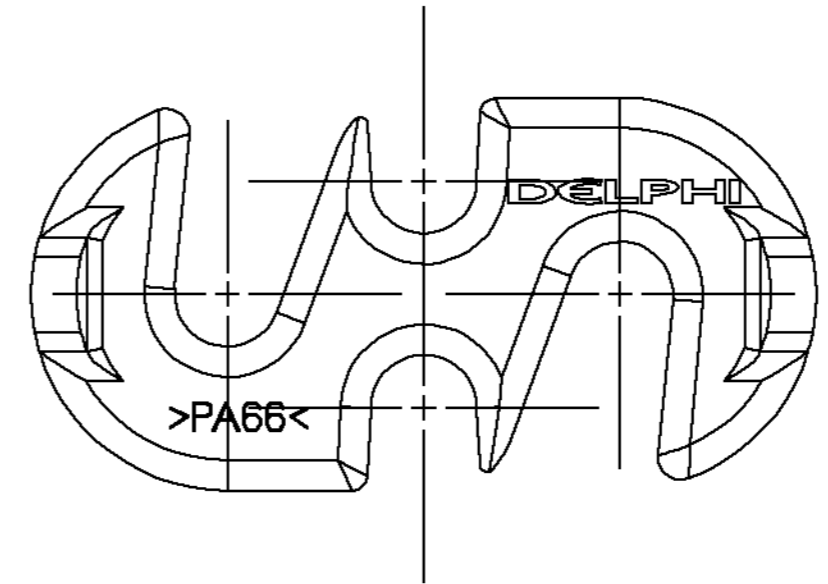
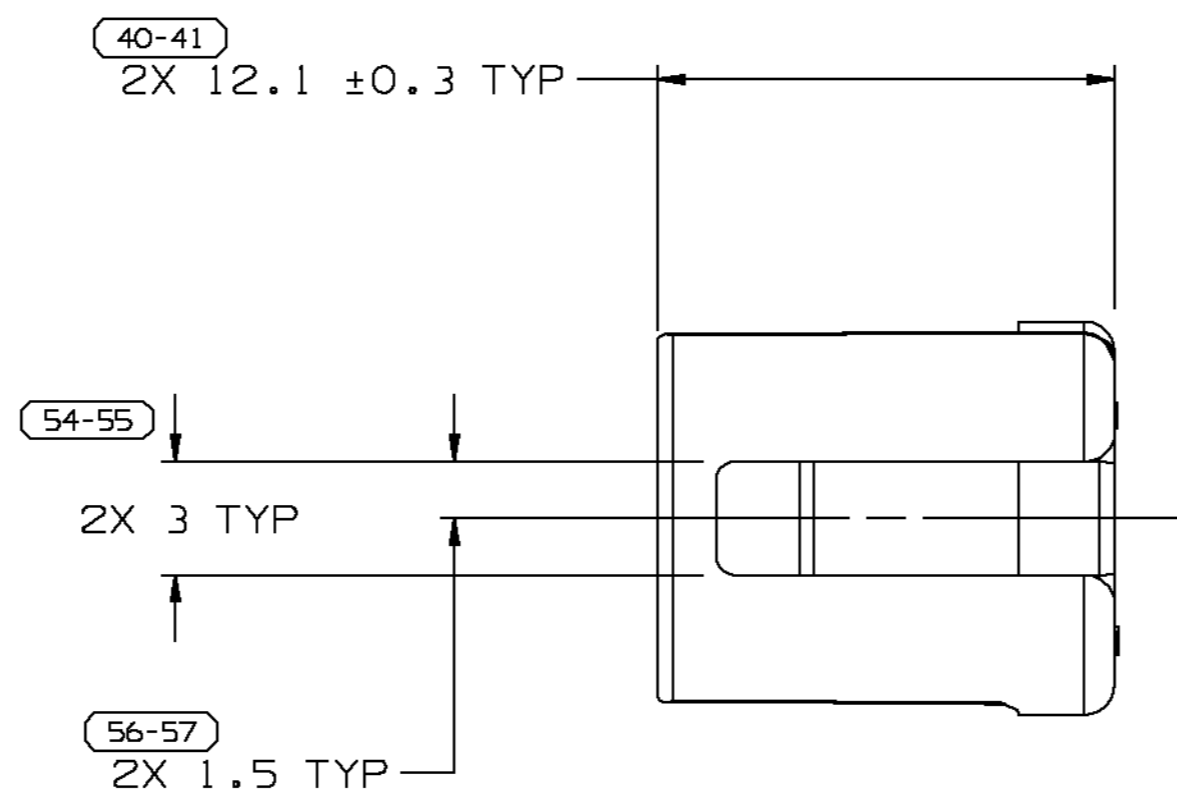
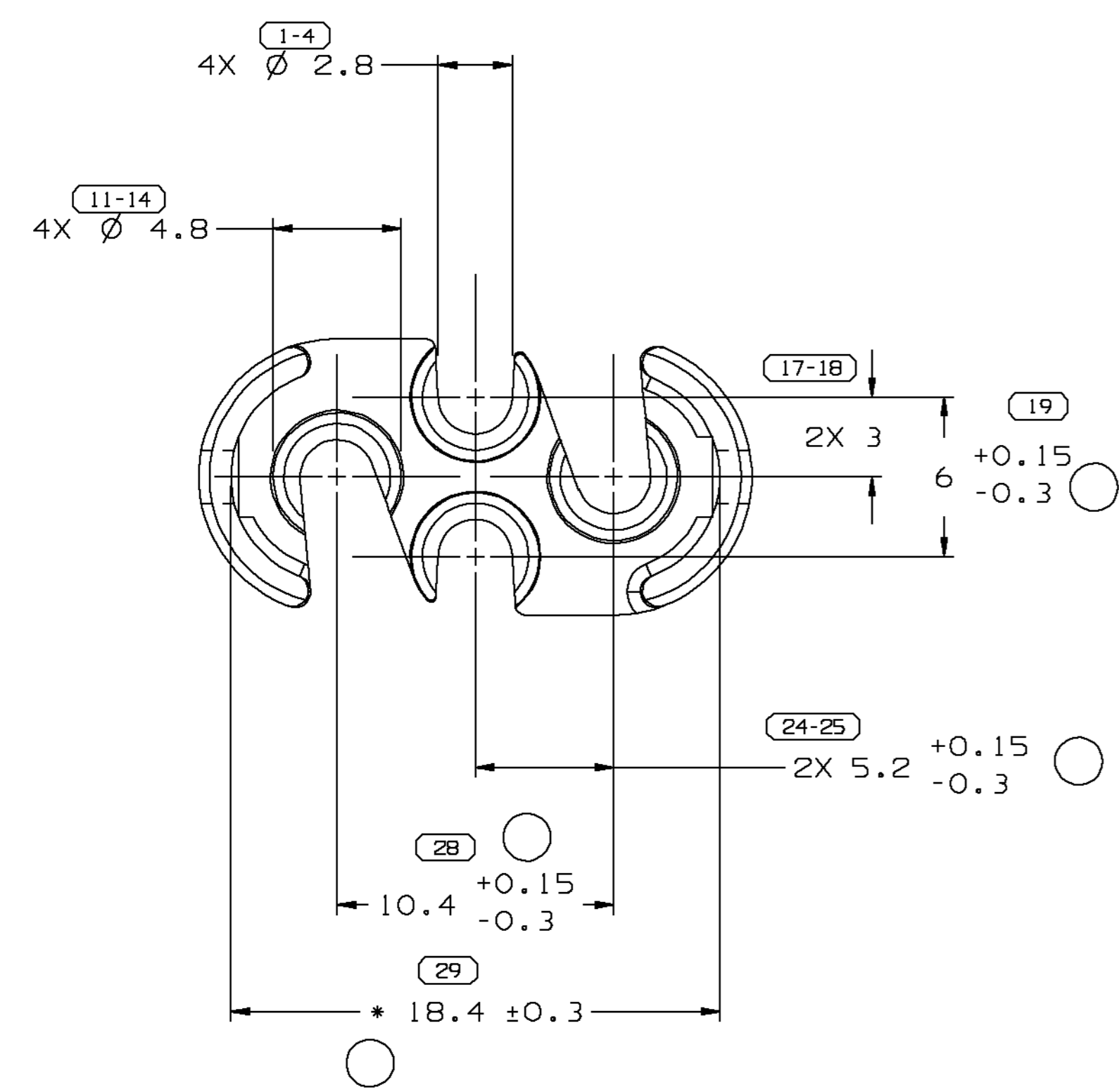
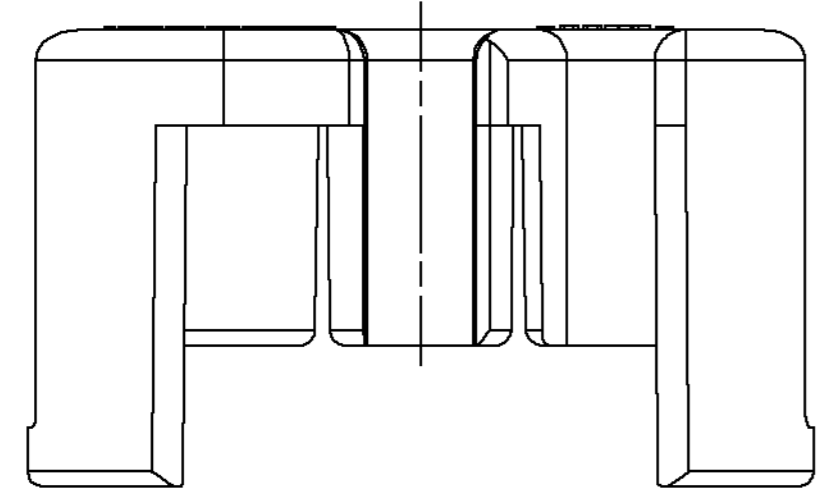


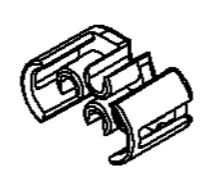
SYMBOL DEFINITION		MISSING NUMBERS
A DIMENSION WITHOUT AN INSPECTION REPORT SYMBOL  DOES NOT REQUIRE INSPECTION. IT MAY BE CONTROLLED ON AN INDIVIDUAL COMPONENT DRAWING.	TOTAL NO. OF SYMBOLS ON DRAWING 10	5-10, 15-16, 20-23, 26-27, 30-39, 42-53,
	LAST NO. USED 57	

DWG STATUS					ZONE	REVISION HISTORY	AUTH	DR	APVD 1	APVD 2
DATE	STG	REV	N/P	CHG						
01JL02	R	01	-	-		CLEARED REV COLUMN; ALL PARTS - ADDED LOGO NOTE & RECYCLING CODE NOTE, REMOVED DIMS (36 PLCS) AND REVISED MAT'L SPEC	227415	RH	RH	ET
29OC02	R	02	-	-		12066176 - REVISED LOCK GRAPHICS (2 PLCS)	232712	HH	RH	ET
08NO02	R	03	-	-		6 +0.15/-0.3 WAS 6 +/-0.15, 2X 5.2 +0.15/-0.3 WAS 2X 5.2 +/-0.15, 10.4 +0.15/-0.3 WAS 10.4 +/-0.15 AND ADDED BOW NOTE	233307	RAO	RH	ET



NOTES

- UNLESS OTHERWISE SPECIFIED AND/OR INDICATED: DIMENSIONS ARE TO FACE OF VIEW SHOWN AND AUTOMATICALLY ROUNDED BY COMPUTER FOR INSPECTION (SEE MATH MODEL FOR PRECISE DIMENSIONS). FOR ALL OTHER DIMENSIONS NOT SHOWN BUT REQUIRED FOR TOOL BUILD, SEE MATH MODEL FOR PRECISE TOOL PATH DATA.
- MATERIAL RECYCLING CODE >PA66< PER SAE J1344. (2.3)X(0.1) RAISED CHARACTERS AS SHOWN TO BE LOCATED ON ANY EXTERIOR SURFACE. OPTIONAL CONSTRUCTION TO BE NO MATERIAL RECYCLING CODE.
- THIS PART IS NOT CONTROLLED FOR AUTOMATIC FEEDING.
- MATING COMPONENTS OR EQUIVALENT: CONNECTOR 12048076
- (2.3)X(0.1) RAISED DELPHI CORPORATE BRAND TO BE LOCATED ON ANY EXTERIOR SURFACE, PREFERABLY VISIBLE AT FINAL ASSEMBLY. OPTIONAL CONSTRUCTION TO BE "PED" OR NO LOGO.
- DIMENSION MARKED WITH AN (\*) MAY VARY TO -0.5 DUE TO BOW.



(29) PROCESS SENSITIVE DIMENSION

DIMENSIONS ENCLOSED IN ( ) INDICATE REFERENCE DIMENSIONS AND NO TOLERANCE LIMITS ARE ESTABLISHED

DIMENSIONAL RANGE (MM)	CHART E1	
	FROM	TO
>0	>20	>30
>20	>30	>70
>30	>70	>100
>70	>100	>150
>100	>150	>200
>150	>200	>250
>200	>250	>300
>250	>300	>400

TOLERANCE UNLESS OTHERWISE SPECIFIED

±0.15	±0.2	±0.3	±0.4	±0.5	±0.6	±0.8	±1	±1.2
-------	------	------	------	------	------	------	----	------

ANGULAR TOLERANCE ±2°

DWG TYPE PART DRAWING	
STYLE SEE CHART	
VOLUME (CM³) 6900	DISTR CODE D
ROUTING 6900	
UNLESS OTHERWISE SPECIFIED THIS DOCUMENT IS IN ACCORDANCE WITH ASME Y14.5M-1994 AS AMENDED BY THE GM GLOBAL DIMENSIONING AND TOLERANCING ADDENDUM - 1997. ALL GEOMETRIC TOLERANCES AND RELATED DATUMS APPLY RFS. RULE #1 PERFECT FORM AT MMC DOES NOT APPLY WHEN RELATIONSHIP BETWEEN FEATURES IS ESTABLISHED BY ORIENTATION OR LOCATION TOLERANCES. SEPARATE POSITION CALLOUTS MAY BE GAGED SEPARATELY, REGARDLESS OF DATUM REFERENCE. ALL DIMENSIONS ARE IN MILLIMETERS	
THIRD ANGLE PROJECTION	
DO NOT SCALE USE MATH DATA	

**DELPHI**  
DELPHI PACKARD ELECTRIC SYSTEMS  
WARREN, OH

DR	DATE
APVD1 G. CHAPMAN	28AU91
APVD2 J. COLDSNOW	28AU91
APVD3 R. PETROSKY	03SE91
APVD4	
APVD5	

SUBSTANCES OF CONCERN AND RECYCLED CONTENT PER DELPHI 10949001

MATERIAL  
SEE CHART

DRAWING NAME  
TAXI LOCK TPA M/P 150

DRAWING NUMBER  
**12129338**

SIZE A1	SCALE 5:1	FRAME NO 1 OF 1	SHEET NO 1 OF 1	STG R	REV 03	N/P -
------------	--------------	--------------------	--------------------	----------	-----------	----------

12129336	A	OBSOLETE	R0071753 PA66 IM-NAT	0.717
12066176	C2		M3592001 PA66 HS IM BLK	0.714
PART NO	REV	STATUS	MAT'L SPEC	VOL (CM³)

