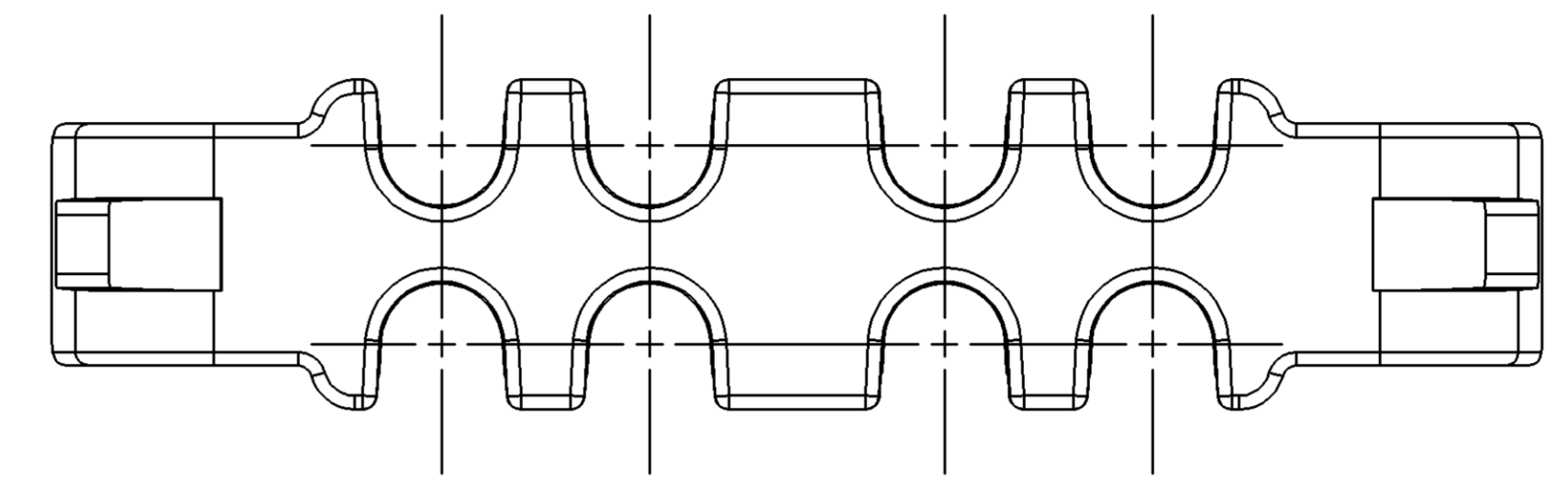
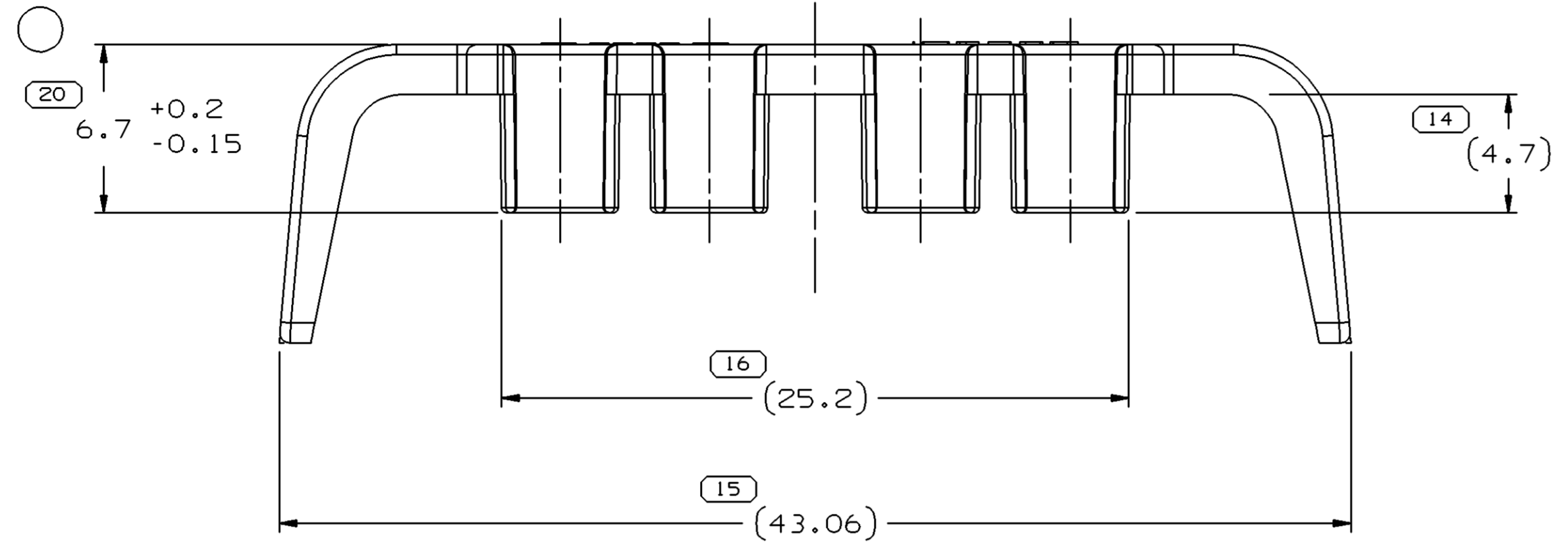
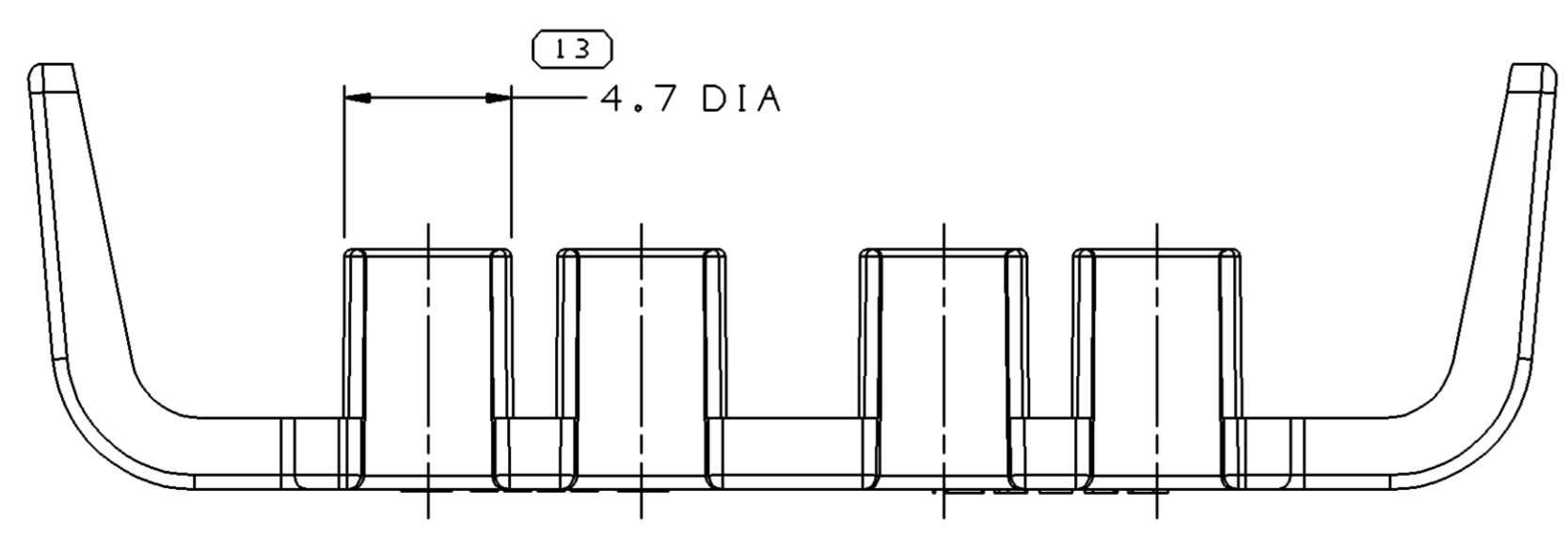
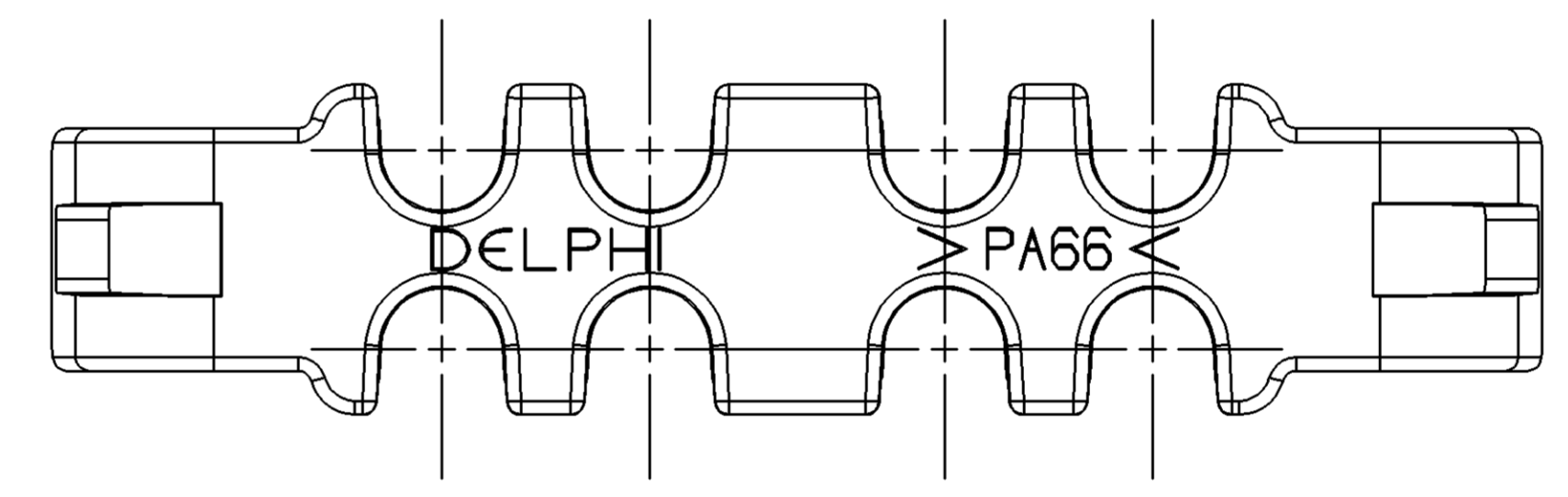
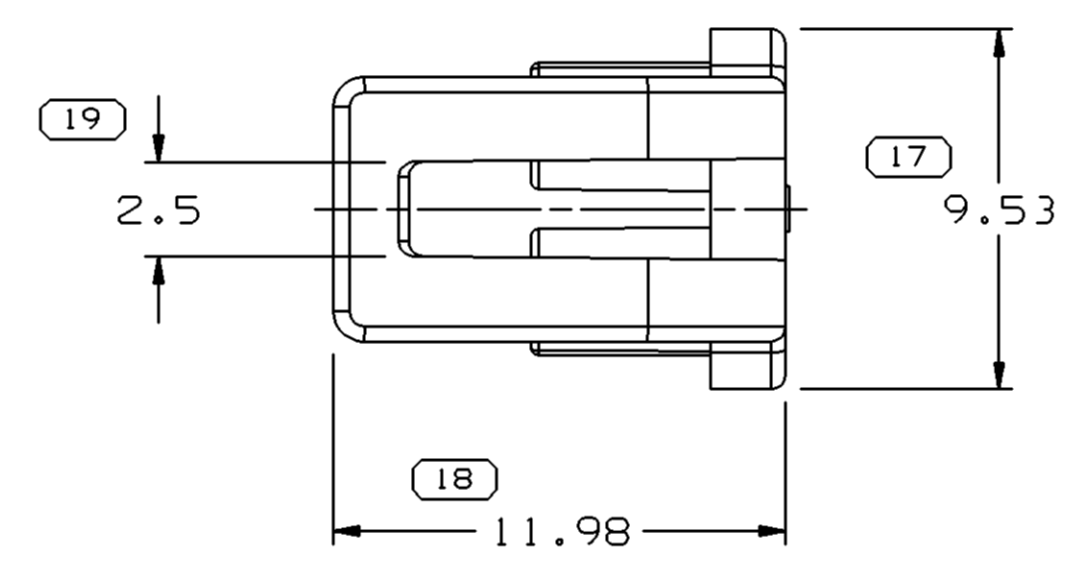
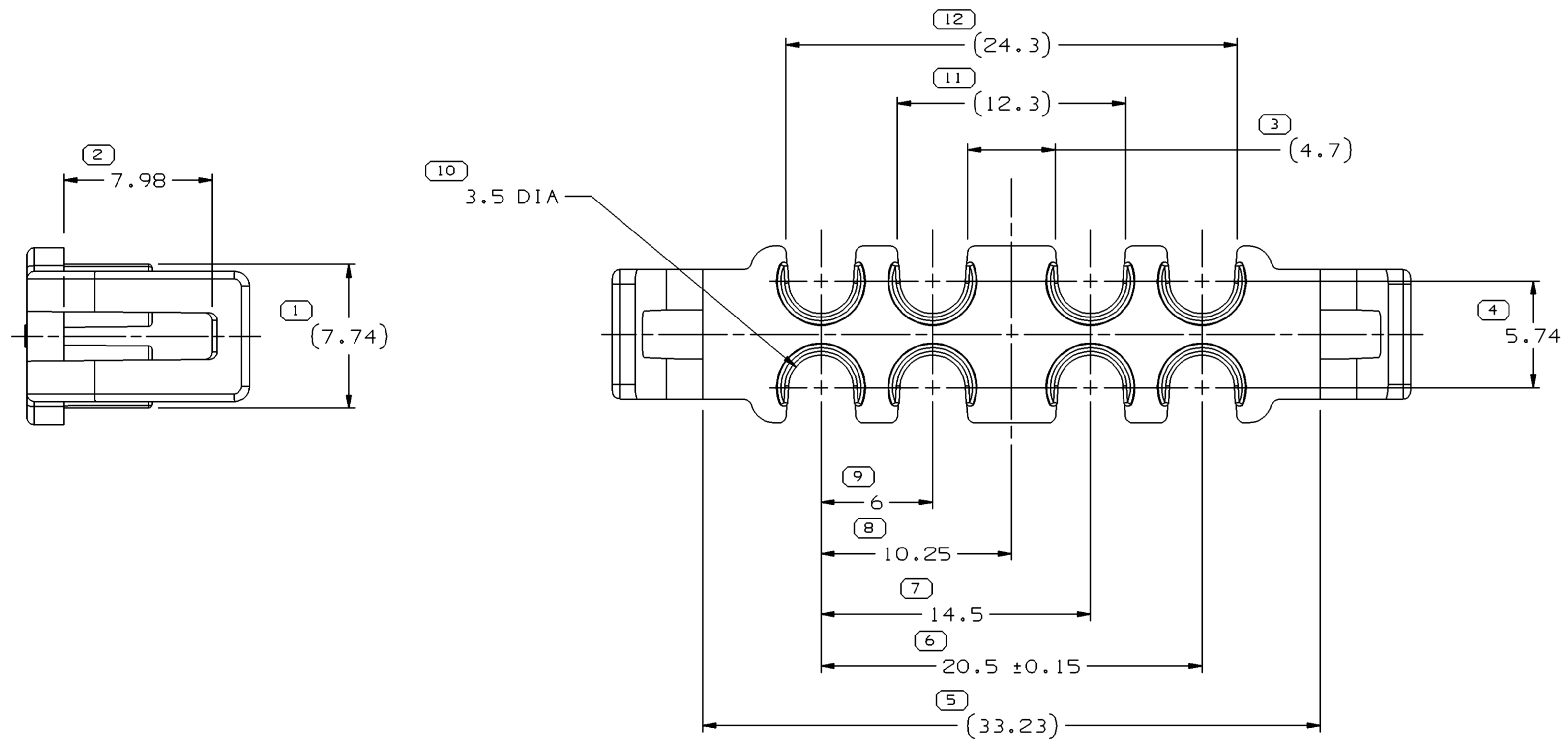


SYMBOL DEFINITION		MISSING SYMBOLS	
A DIMENSION WITHOUT AN INSPECTION REPORT SYMBOL DOES NOT REQUIRE INSPECTION. IT MAY BE CONTROLLED ON THE INDIVIDUAL COMPONENT DRAWING.	TOTAL NO OF INSPECTIONS REQUIRED	NO MISSING SYMBOL NUMBER	
	20		
	LAST NO. USED		
	20		

DWO STATUS					REVISION HISTORY			AUTH	DR	APVD	APVD
DATE	STG	REV	N/P	CHO	ZONE						
14SE01	R	C2	-	-		CLEARED REV COL, REVISED MATING COMPONENTS	213549	JMR	JMR	AJH	
17MR04	R	C3	-	-		ADDED 6.7 DIM, ADDED PROCESS SENSITIVE DIM, UPDATED FORMAT, UPDATED MATERIAL SPEC & UPDATED PDM ATTRIBUTES	252989	EES	EES	MC	
04AU04	R	C4	-	-		6.7+0.2-0.15 WAS 6.7	257507	TLD	TLD	MC	

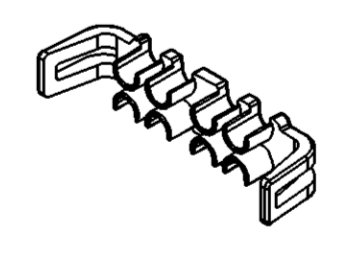


OPTIONAL CONSTRUCTION



NOTES:

- UNLESS OTHERWISE SPECIFIED AND/OR INDICATED: DIMENSIONS ARE TO FACE OF VIEW SHOWN AND AUTOMATICALLY ROUNDED BY COMPUTER FOR INSPECTION. (SEE MATH MODEL FOR PRECISE DIMENSION) FOR ALL OTHER DIMENSIONS NOT SHOWN BUT REQUIRED FOR TOOL BUILD, SEE MATH MODEL FOR PRECISE TOOL PATH DATA.
- MATING COMPONENTS:
 CONN 8F GT 280 15317309 OR EQUIVALENT
 CONN 7F GT 280 15317308 OR EQUIVALENT
 CONN 7F GT 280 15317307 OR EQUIVALENT
 CONN 4F GT 280 15317306 OR EQUIVALENT
 CONN 8F GT 280 15317305 OR EQUIVALENT
 CONN 7F GT 280 15317304 OR EQUIVALENT
- DIMENSIONS MARKED "REF" ARE FOR REFERENCE ONLY AND NO TOLERANCE LIMITS ARE ESTABLISHED.



DIMENSIONAL RANGE (MM)		CHART ET	
FROM	TO	SCALE	ANGLE
> 0	> 20	> 30	> 70
> 20	> 30	> 30	> 100
> 30	> 70	> 100	> 150
> 70	> 100	> 150	> 200
> 100	> 150	> 200	> 250
> 150	> 200	> 250	> 300
> 200	> 250	> 300	> 400

DWO TYPE		PART DRAWING					
VOLUME (COP)	DISTR CODE	D					
0,812							
UNLESS OTHERWISE SPECIFIED							
THIS DOCUMENT IS IN ACCORDANCE WITH ASME Y14.5M-1994							
AS MODIFIED BY THE DIMENSIONAL DIMENSIONS AND TOLERANCING ADDENDUM (2003). SEPARATE PATTERNING OF FEATURES MAY BE OBTAINED SEPARATELY REGARDLESS OF DATUM REFERENCES.							
ALL DIMENSIONS ARE IN MILLIMETERS							
REFERENCE							
<table border="1"> <tr> <td>(20)</td> <td>PROCESS SENSITIVE DIMENSION</td> </tr> <tr> <td>()</td> <td>DIMENSIONS ENCLOSED IN () INDICATE REFERENCE DIMENSIONS AND NO TOLERANCE LIMITS ARE ESTABLISHED</td> </tr> </table>				(20)	PROCESS SENSITIVE DIMENSION	()	DIMENSIONS ENCLOSED IN () INDICATE REFERENCE DIMENSIONS AND NO TOLERANCE LIMITS ARE ESTABLISHED
(20)	PROCESS SENSITIVE DIMENSION						
()	DIMENSIONS ENCLOSED IN () INDICATE REFERENCE DIMENSIONS AND NO TOLERANCE LIMITS ARE ESTABLISHED						
THIRD ANGLE PROJECTION		DO NOT SCALE					
USE MATH DATA		UNGRAPHS					

DELPHI
 DELPHI PACKARD ELECTRIC SYSTEMS
 WARREN, OH

DR	DATE
APVD1 JUAN M. CANO	07MR97
APVD2 A UGALDE G	17MR97
APVD3 G. ORANTES	19MR97
APVD4	

MATERIAL: M3592012 PA66 HS 1M-GRA LT

DRAWING NAME: LOCK TPA GT 280 B GRA LT

DRAWING NUMBER: 15317301

SIZE: A0 SCALE: 5:1 FRAME NO: 1 OF 1 SHEET NO: 1 OF 1 STG REV: R C4