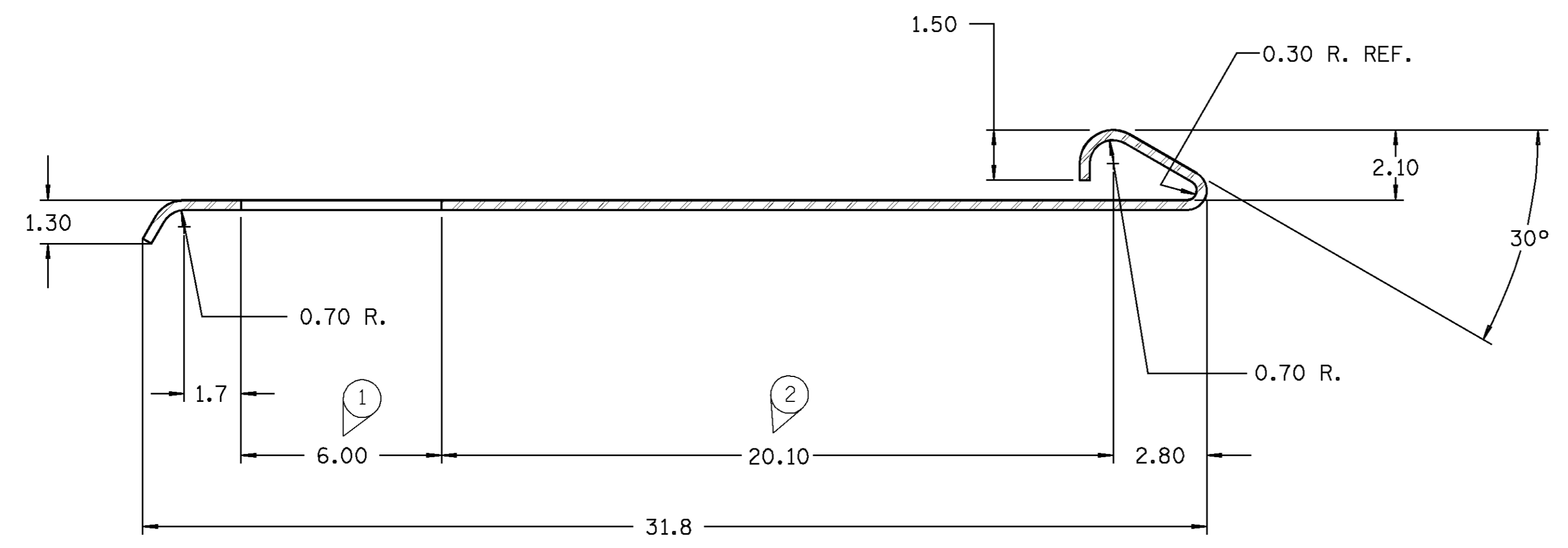


THIS DRAWING AND DESIGN HEREON CONSTITUTE A PROPRIETARY DESIGN OF PACKARD ELECTRIC DIVISION AND IS NOT TO BE DUPLICATED OR REPRODUCED WITHOUT AUTHORITY OF PACKARD ELECTRIC DIVISION.

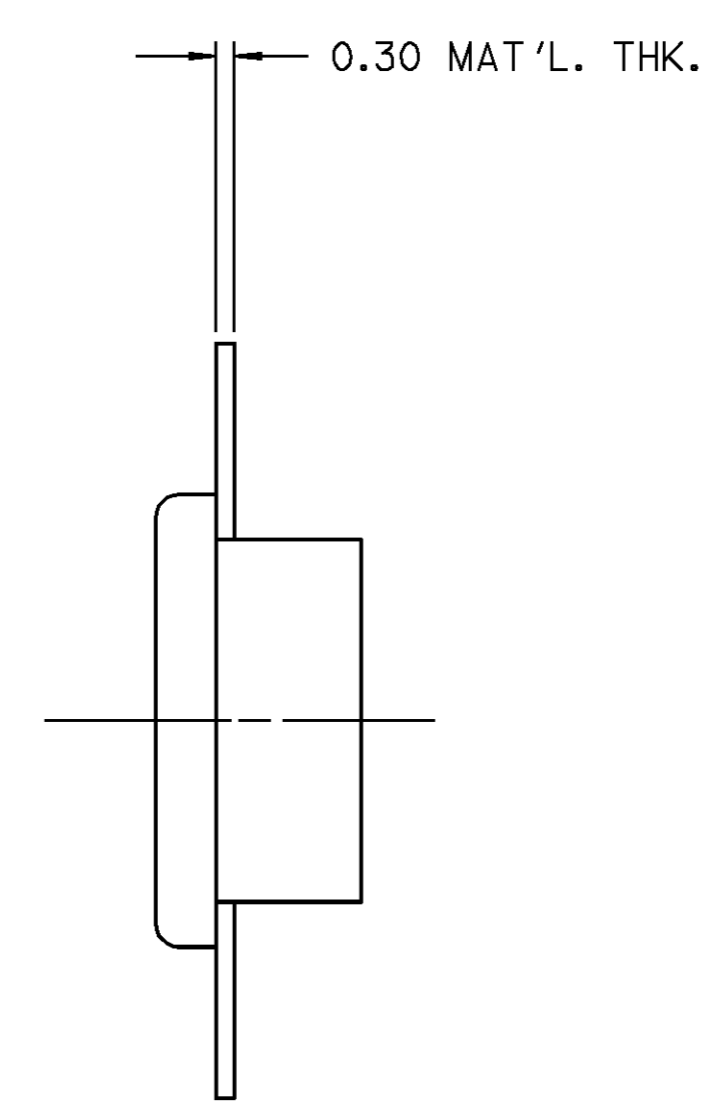
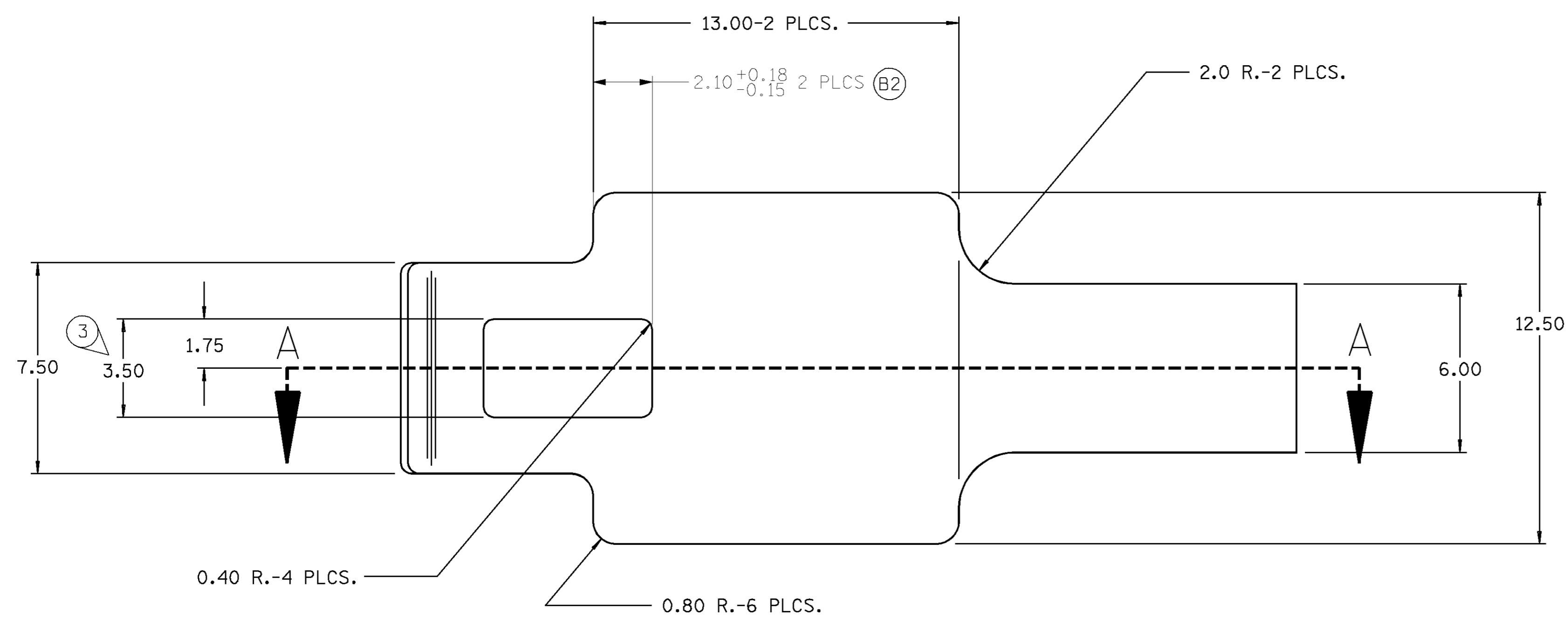
DO NOT SCALE

PART NO. 1211 0254

PART NO. 1211 0254



SECTION A - A



DATE	SYM	REVISION RECORD	AUTHORITY	DR	CK
260C89	A	P.E. DWG. CREATION.	890012	R.JH	-
28N089	B	REVISED.	131649	R.JH	T.M.
25N091	B1	WAS PE019699 AND RELEASED.	910005	WHP	HH
11M993	B2	B1 WAS C IN REV RECORD & REVISED TOLERANCE TO 1 DIM	154937	BAR	BAR

- NOTES-
- DIMENSIONS ARE TO FACE OF VIEW SHOWN, UNLESS OTHERWISE INDICATED.
 - A 0.40 R. IS PERMISSIBLE ON ALL "SHARP" CORNERS UNLESS OTHERWISE SPECIFIED.
 - THIS PART MATES TO CONNECTOR 1211 0252 OR EQUIVALENT.
 - "⊙" DENOTES DIMENSIONS AND CHARACTERISTICS THAT ARE IMPORTANT TO THE FUNCTION AND/OR PROCESSING OF THE PART. IT DOES NOT NECESSARILY INDICATE AN SPC DIMENSION. THIS DRAWING HAS 3 SNOWCONES.

PIED/INTEGRAL <small>EMMS</small>		FILE SPEC: ****USER**** DGN#SPECIFICATION***** *****SYTIME*****	
THIRD ANGLE PROJECTION 		METRIC DIMENSIONS ARE IN MILLIMETERS UNLESS OTHERWISE SPECIFIED.	
CODE NO. 6901 Q.C. -R-3059		TOLERANCE UNLESS OTHERWISE SPECIFIED DECIMAL: ANGULAR ± 2° ONE PLACE ± 0.3 TWO PLACE ± 0.15	
DWG. DATE 260C89	SCALE 8:1	DR. R.J. HRUSOVSKY	260C89
EST. NO.	CK. T.M. NADASKY	DATE 28N089	
REFERENCE NO.	APPR. A. RASCHILLA	DATE 29N089	
	APPR. R.A. PETROSKY	DATE 29N089	
MATERIAL SPEC. PM000921 ST STL - 301 HARD - 0.30 THK			
NAME CLIP			
PART NO. 1211 0254			SIZE D

PACKARD ELECTRIC DIVISION
 GENERAL MOTORS CORPORATION
 WARREN, OHIO

PACKARD ELECTRIC