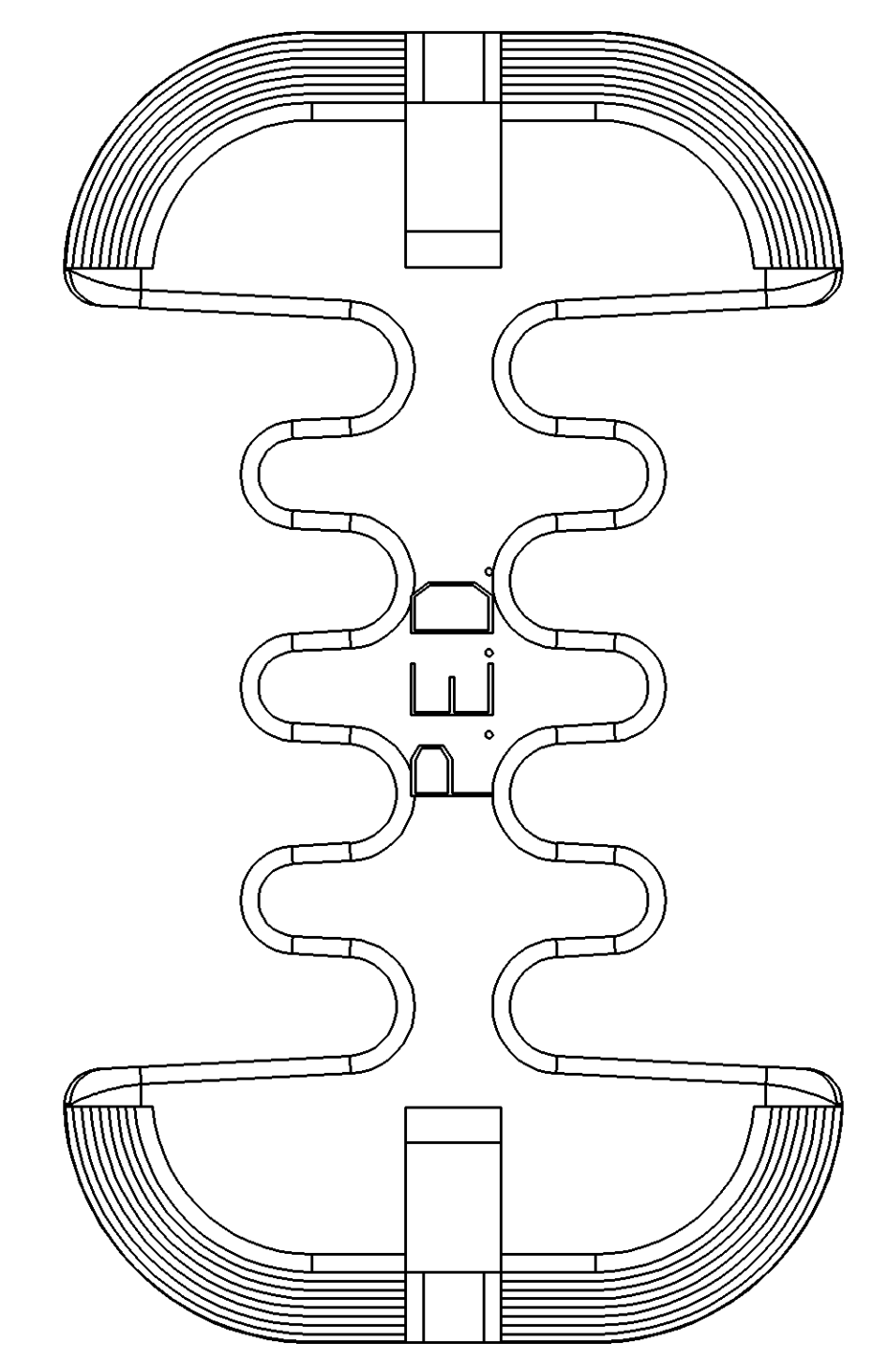
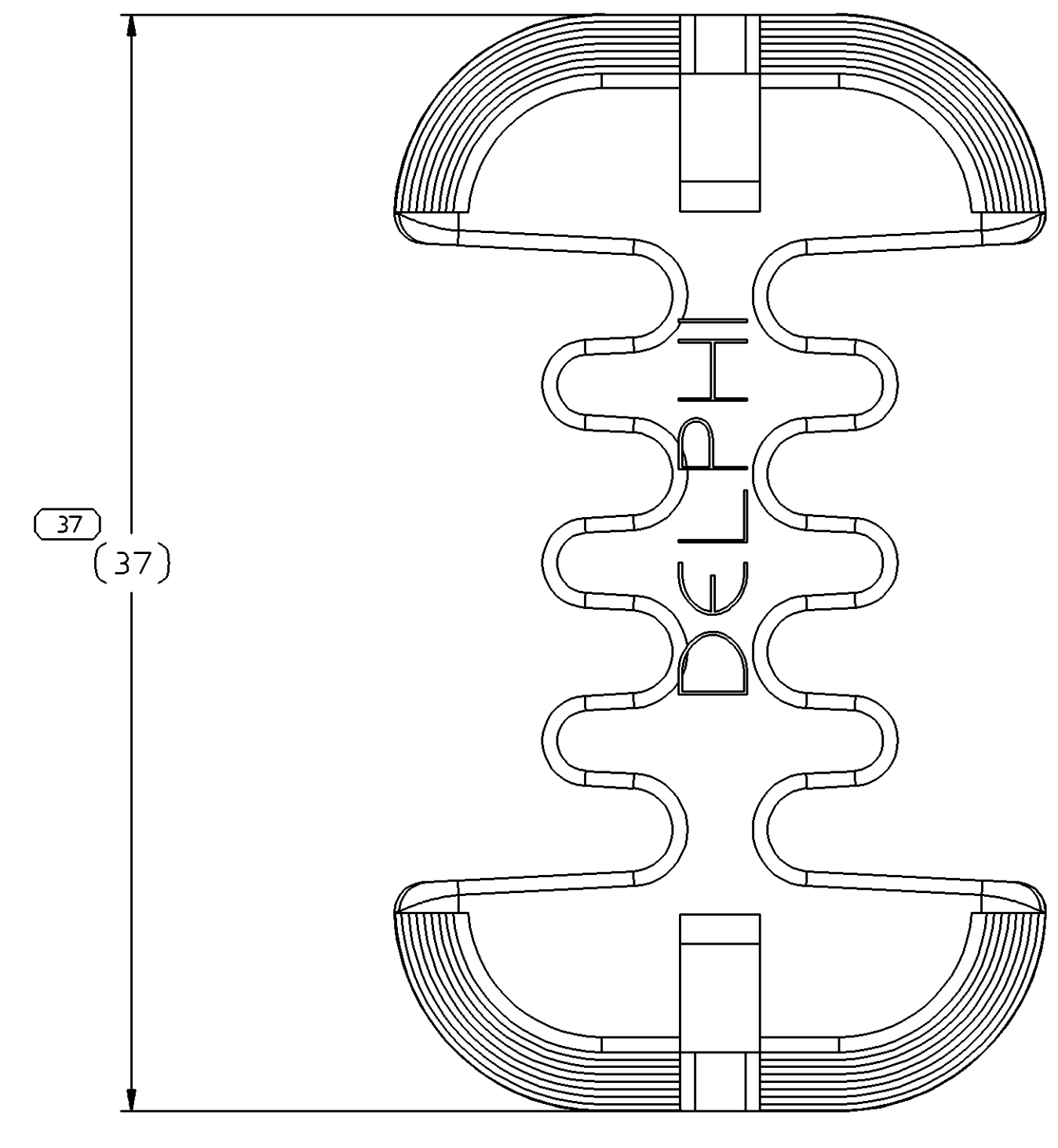
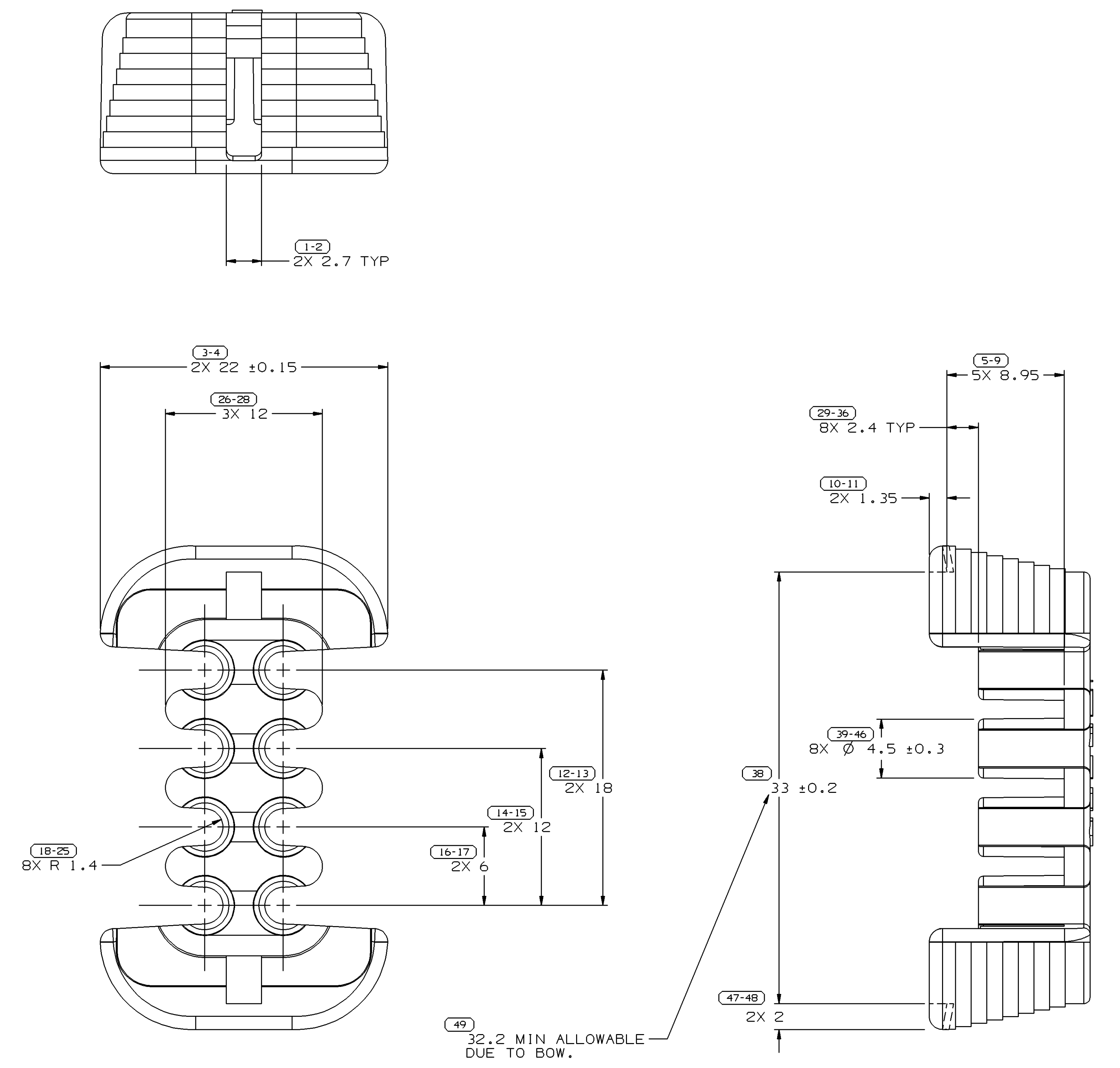
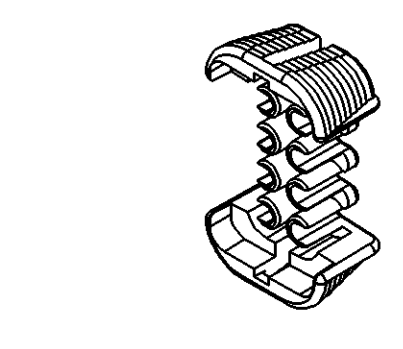


SYMBOL DEFINITION		MISSING NUMBERS		DWO STATUS				REVISION HISTORY				AUTH		DR		APVD	
DATE	STG	REV	N/P	CHO	ZONE	DATE	STG	REV	N/P	CHO	ZONE	DATE	STG	REV	N/P	CHO	ZONE
10N000	R	H1	-	-	-							000009	JTD	EDV	GM		
22AP04	R	H2	-	-	-							254244	J5	J5	B6	M	



OPTIONAL CONSTRUCTION

- NOTES
- UNLESS OTHERWISE SPECIFIED AND/OR INDICATED: DIMENSIONS ARE TO FACE OF VIEW SHOWN AND AUTOMATICALLY ROUNDED BY COMPUTER FOR INSPECTION (SEE MATH MODEL FOR PRECISE DIMENSIONS). FOR ALL OTHER DIMENSIONS NOT SHOWN BUT REQUIRED FOR TOOL BUILD, SEE MATH MODEL FOR PRECISE TOOL PATH DATA.
  - THIS PART IS NOT CONTROLLED FOR AUTOMATIC FEEDING.
  - MATING COMPONENTS OR EQUIVALENT: CONNECTOR 12047932, 12047934 & 12052499
  - MAX CABLE DIA THAT WILL FIT PART IS Ø2.31
  - PART IS SYMETRICAL ABOUT CENTERLINES, UNLESS OTHERWISE INDICATED.



DWO TYPE		PART DRAWING	
STYLE	2,505	DISTR CODE	D
VOLUME (CM³)	6900		
ROUTING			

UNLESS OTHERWISE SPECIFIED			
THIS DOCUMENT IS IN ACCORDANCE WITH ASME Y14.5M-1994			
AS AMENDED BY THE 2018 ADDENDUM TO Y14.5M-1994			
TOLERANCING ADDENDUM-2018. SEPARATE PATTERNING OF			
FEATURES MAY BE GIVEN SEPARATELY REGARDLESS OF DATUM			
REFERENCES:			
ALL DIMENSIONS ARE IN MILLIMETERS			
REFERENCE			
THIRD ANGLE PROJECTION			
DO NOT SCALE			
USE MATH DATA			

**DELPHI**  
DELPHI PACKARD ELECTRIC SYSTEMS  
WARREN, OH

DR	DATE
APVD1 J. YEE	10N000
APVD2 E. VAZQUEZ	13N000
APVD3 G. MACIAS	13N000
APVD4	
APVD5	

MATERIAL: M3592025 PLAS PA66 HS 1M GRA MD

DRAWING NAME: LOCK TPA M/P 150 8 GRA

DRAWING NUMBER: 12066304

SIZE	SCALE	FRAME NO	SHEET NO	STG	REV	N/P
A0	5:1	1	1	1	R	H2