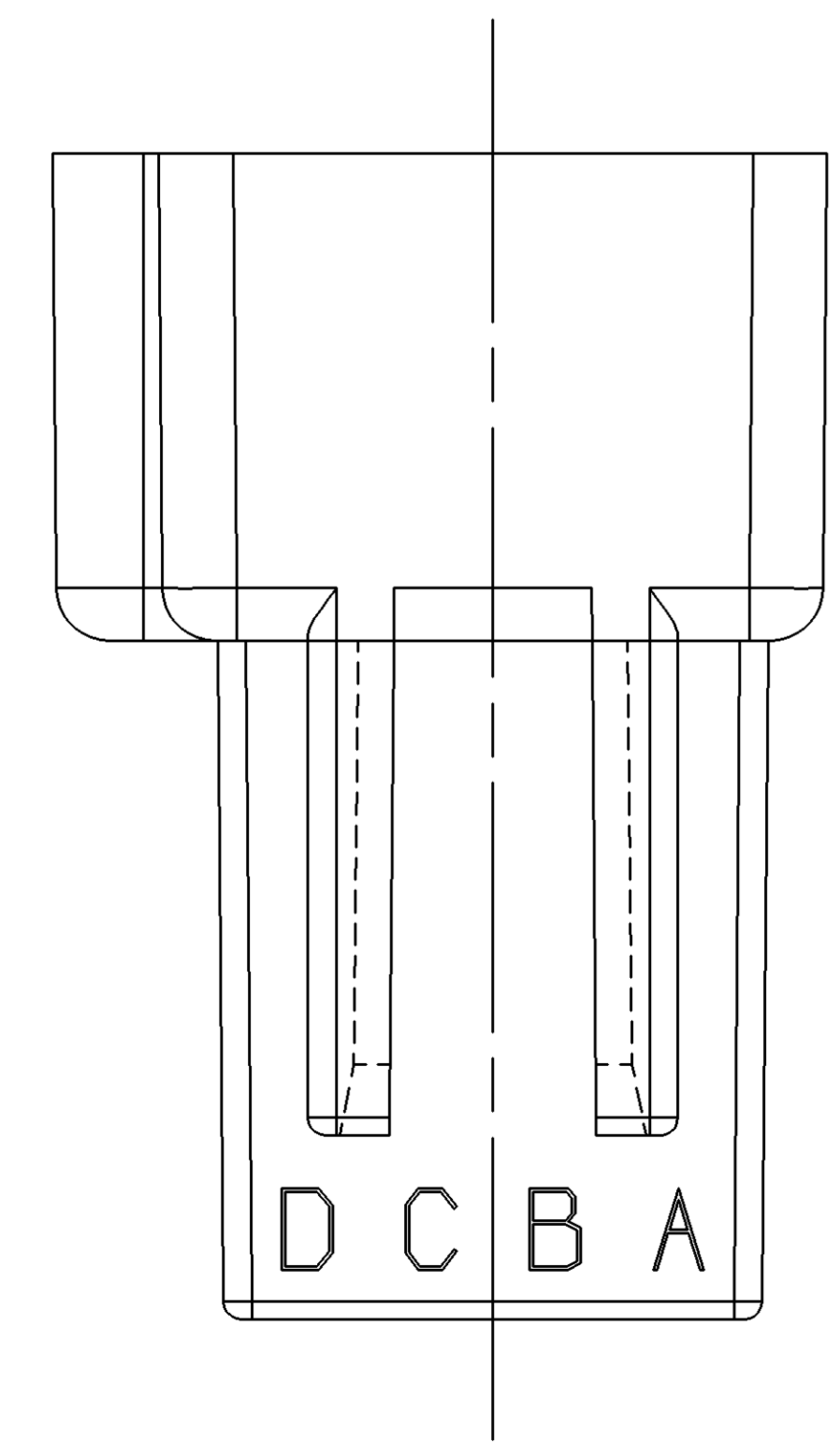
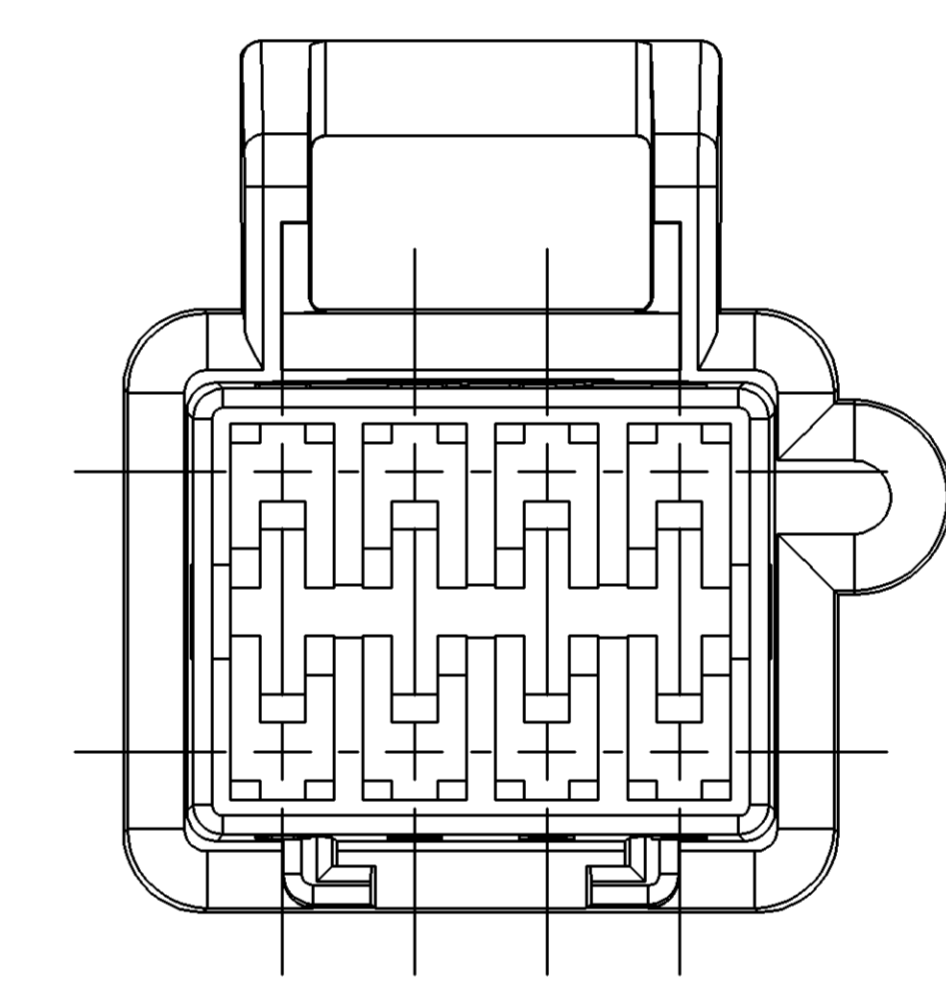
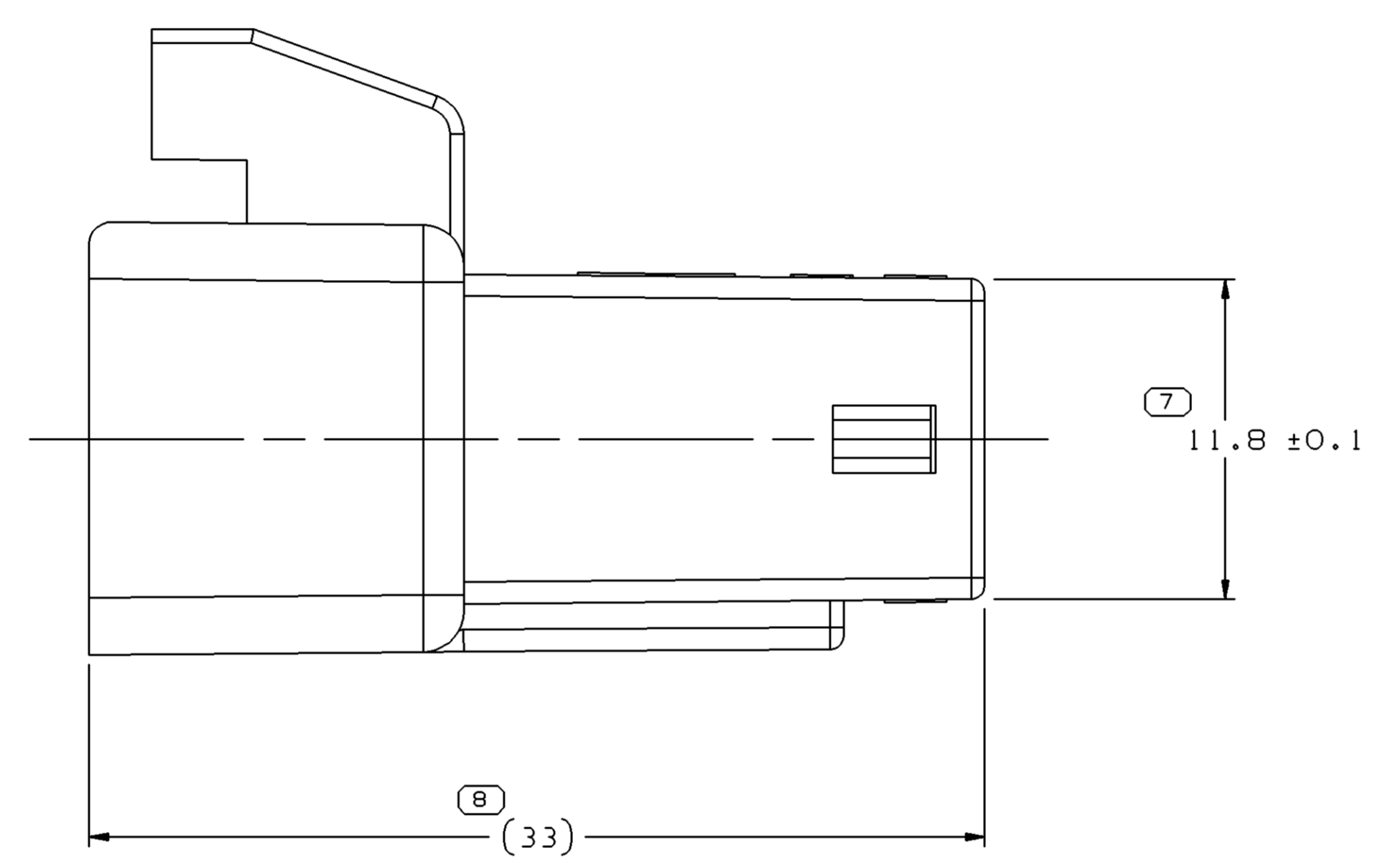
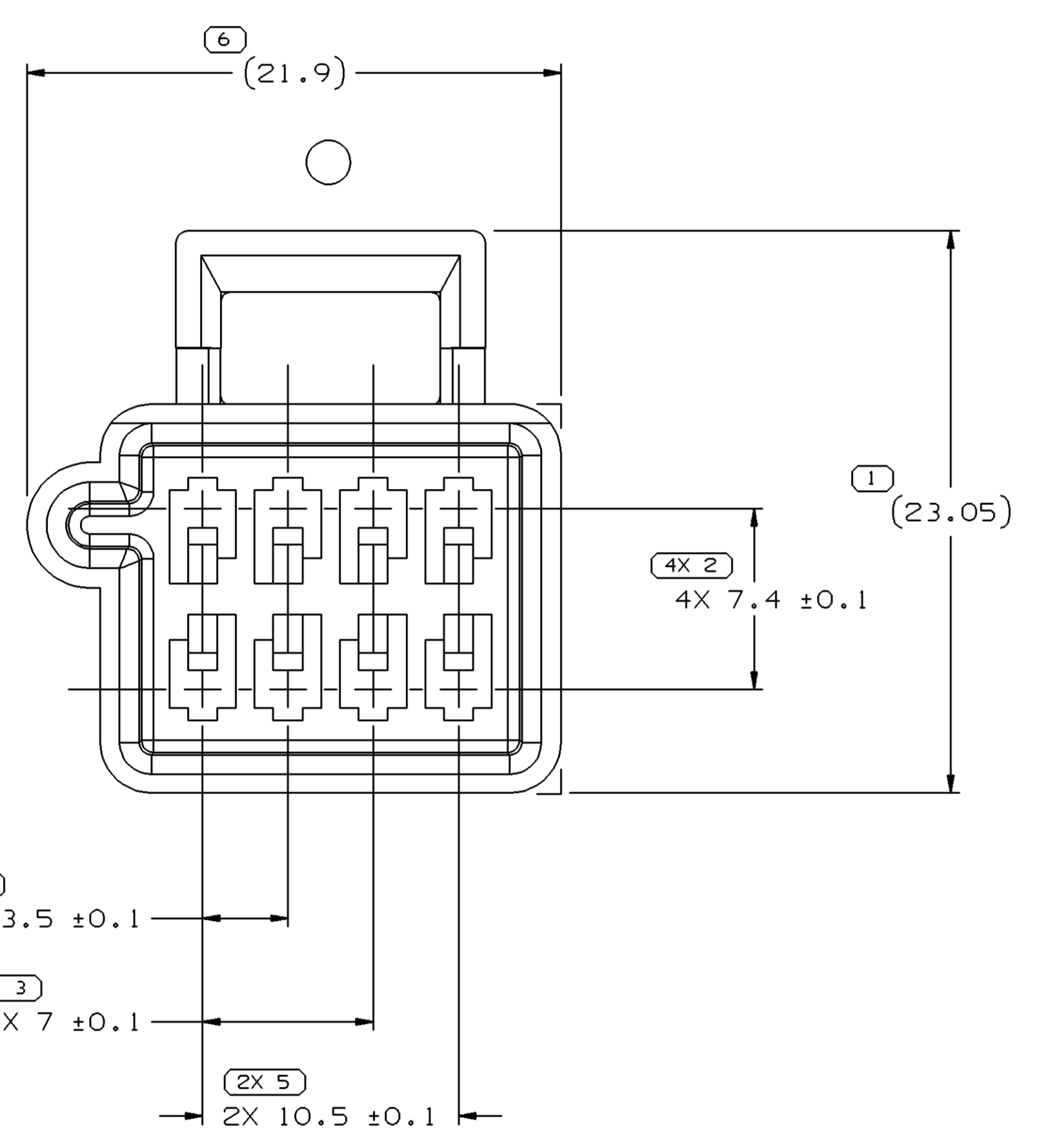
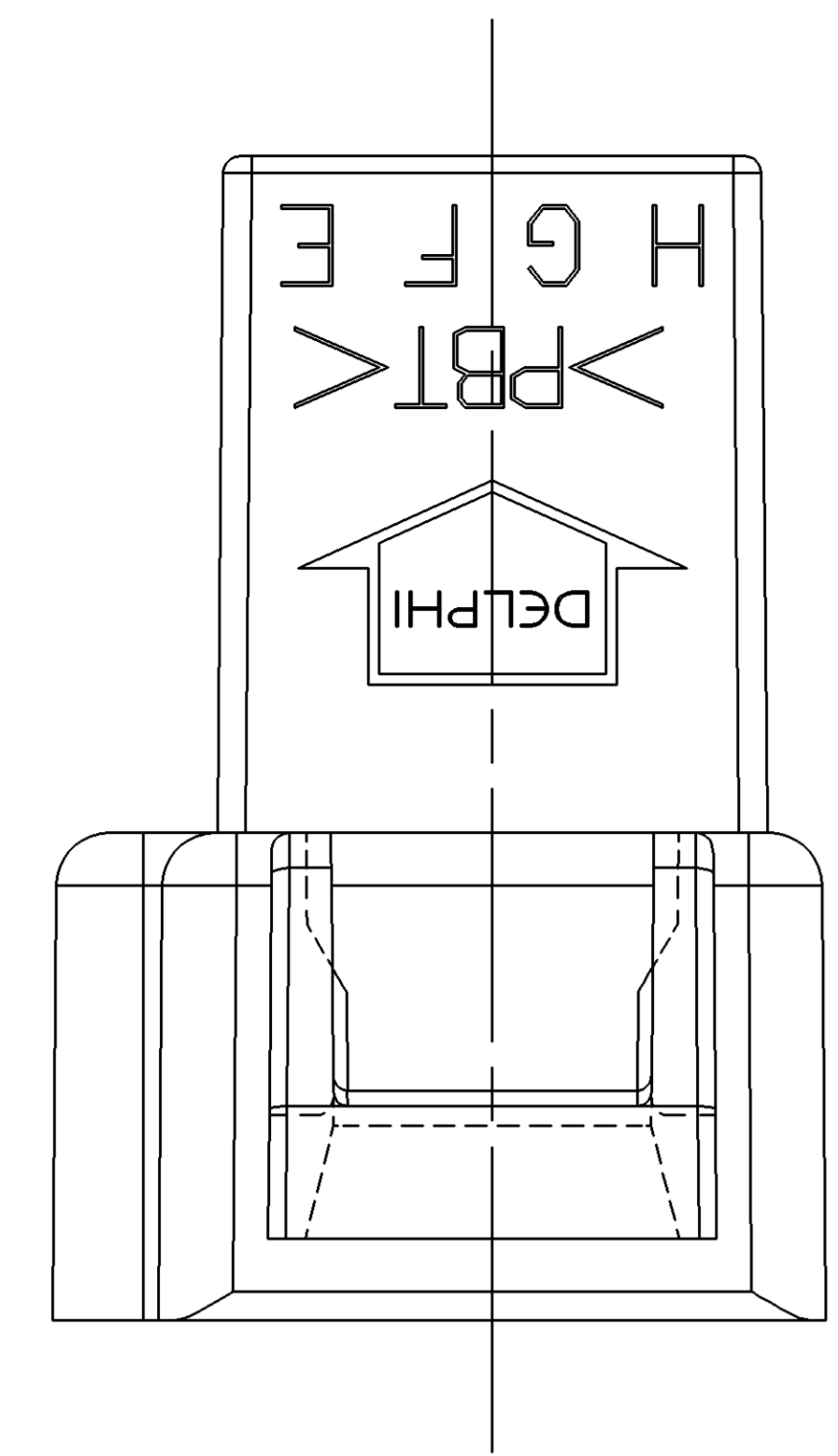


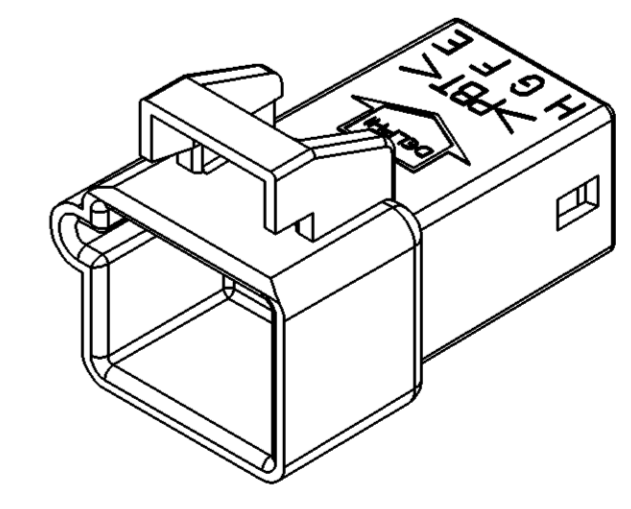
SYMBOL DEFINITION		MISSING SYMBOLS	
A DIMENSION WITHOUT AN INSPECTION REPORT SYMBOL DOES NOT REQUIRE INSPECTION. IT MAY BE CONTROLLED ON THE INDIVIDUAL COMPONENT DRAWING.	TOTAL NO OF INSPECTIONS REQUIRED	NO MISSING SYMBOL NUMBER	
	14		
	LAST NO. USED		
	8		

DWO STATUS					REVISION HISTORY		AUTH	DR	APVD
DATE	STG	REV	N/P	CHG	ZONE				
17JUN03	R	A2	-	-		ADDED NOTES AND REVISED MAT'L SPEC	242663	LEG	APVD1
10JAO5	R	O2	-	-		REDRAWN TO PD FORMAT & REVISED GRAPHICS	252625	AMG	APVD2



NOTES

- UNLESS OTHERWISE SPECIFIED AND/OR INDICATED: DIMENSIONS ARE TO FACE OF VIEW SHOWN AND AUTOMATICALLY ROUNDED BY COMPUTER FOR INSPECTION (SEE MATH MODEL FOR PRECISE DIMENSIONS). FOR ALL OTHER DIMENSIONS NOT SHOWN BUT REQUIRED FOR TOOL BUILD, SEE MATH MODEL FOR PRECISE TOOL PATH DATA.
- MATERIAL RECYCLING CODE PER ISO 11469. (2,3)X(0.1) CHARACTERS AS SHOWN TO BE LOCATED ON ANY EXTERIOR SURFACE.
- REFERENCE MATING COMPONENTS OR EQUIVALENT: CONNECTOR 12064766
- THIS PART ACCEPTS THE FOLLOWING COMPONENTS OR EQUIVALENT: SECONDARY TERMINAL LOCK 12045690 CAVITIES TO ACCEPT 12040993 TERMINAL OR EQUIVALENT
- THIS CONNECTOR WILL PASS THROUGH A 28.5 DIA MIN HOLE.
- THIS CONNECTOR LIMITED TO A MAX INSULATION CRIMP OF 3 HIGH X 2.6 WIDE.
- (1)X(0.1) DELPHI CORPORATE BRAND TO BE LOCATED ON ANY EXTERIOR SURFACE, PREFERABLY VISIBLE AT FINAL ASSEMBLY. OPTIONAL CONSTRUCTION TO BE "PED" OR NO LOGO.



VIEW SCALE DOES NOT REFLECT ACTUAL PART SIZE

DIMENSIONAL RANGE (MM)		CHART ET	
FROM	TO	SCALE	PROJECTION
> 0	> 20	> 30	> 70
> 20	> 30	> 70	> 100
> 30	> 70	> 100	> 150
> 70	> 100	> 150	> 200
> 100	> 150	> 200	> 250
> 150	> 200	> 250	> 300
> 200	> 250	> 300	> 400
TOLERANCE UNLESS OTHERWISE SPECIFIED		USE MATH DATA	
±0.15	±0.2	±0.3	±0.4
±0.4	±0.5	±0.6	±0.8
±1	±1.2	ANGULAR TOLERANCE 12°	

DWO TYPE		PART DRAWING	
STYLE		DISTR CODE	D
VOLUME (COP)	3,624		
UNLESS OTHERWISE SPECIFIED			
THIS DOCUMENT IS IN ACCORDANCE WITH ASME Y14.5M-1994 AS AMENDED BY THE DIMENSIONAL DIMENSIONING AND TOLERANCING ADDENDUM-2003. SEPARATE PATTERNING OF FEATURES MAY BE GIVEN SEPARATELY REGARDLESS OF DATUM REFERENCES.			
ALL DIMENSIONS ARE IN MILLIMETERS			
REFERENCE			

DELPHI
DELPHI PACKARD ELECTRIC SYSTEMS
WARREN, OH

DR	DATE
APVD1 ERIC W. MIZNER	245E85
APVD2 ERIC W. MIZNER	245E85
APVD3 S.A. NORLING	26NO85
APVD4 R. PETROSKY	26NO85
APVD5	

MATERIAL: M4695008 PBT BLU

DRAWING NAME: CONN 8 M M/P 150 BLU

DRAWING NUMBER: 12064767

SIZE: A0 SCALE: 5:1 FRAME NO: 1 OF 1 SHEET NO: 1 OF 1 REV: R 02