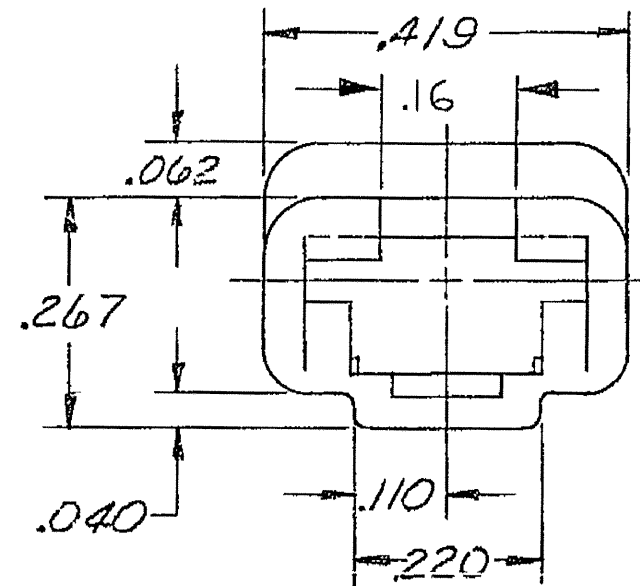
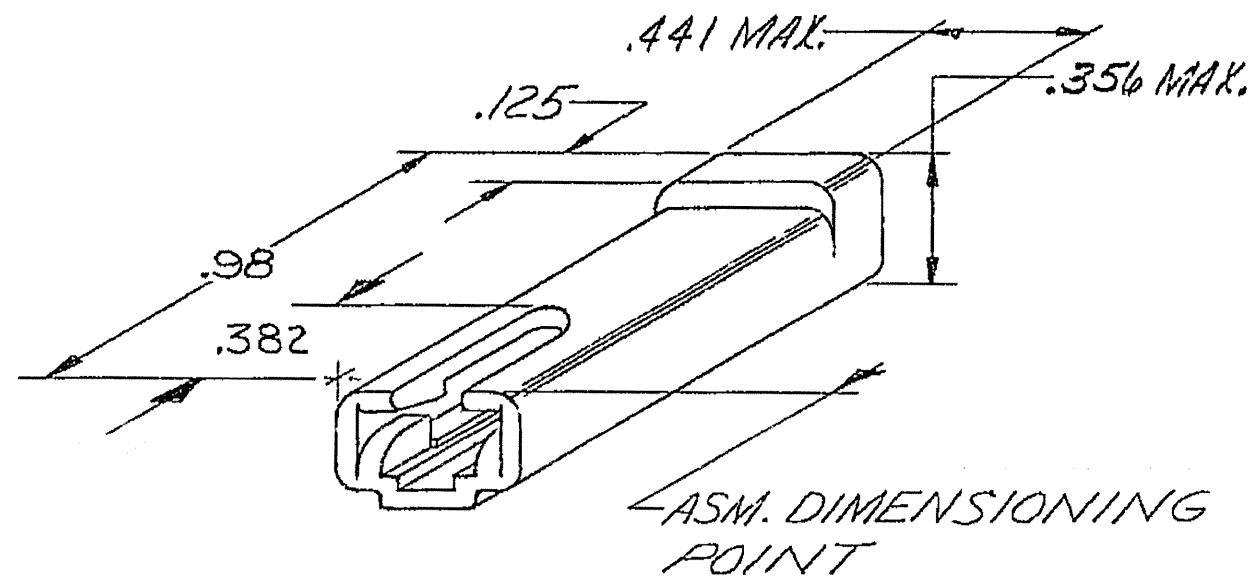


DWG STATUS					ZONE	REVISION HISTORY	AUTH	DR	APVD 1	APVD 2
DATE	STG	REV	N/P	CHG						
15DE04	R	10	-	-		TAXI CREATED, ALL PARTS WERE ON SEPARATE PD'S	262003	MJM	MJM	ET



NOTES

- UNLESS OTHERWISE SPECIFIED AND/OR INDICATED:
DIMENSIONS ARE TO FACE OF VIEW SHOWN.
- MATERIAL RECYCLING CODE PER SAE J1344. (.090)X(.004) RAISED CHARACTERS AS SHOWN TO BE LOCATED ON ANY EXTERIOR SURFACE. OPTIONAL CONSTRUCTION TO BE NO MATERIAL RECYCLING CODE.
- (.090)X(.004) RAISED DELPHI CORPORATE BRAND TO BE LOCATED ON ANY EXTERIOR SURFACE, PREFERABLY VISIBLE AT FINAL ASSEMBLY. OPTIONAL CONSTRUCTION TO BE "PED" OR NO LOGO.

06294880	H6	-	OBSOLETE	R-63782 POLYP (ORN)
02977142	09	-	-	M2097002 PP IM NAT
02962965	09	-	-	M2097001 PP IM BLK
PART NO	REV	N/P	STATUS	MATERIAL SPEC AND COLOR

TOLERANCE UNLESS OTHERWISE SPECIFIED
 DECIMAL: TWO PLACE ±.01 ANGULAR ±2°
 THREE PLACE ±.005

DWG TYPE PART DRAWING	
STYLE	
VOLUME (CM ³)	DISTR CODE D
UNLESS OTHERWISE SPECIFIED <small>THIS DOCUMENT IS IN ACCORDANCE WITH ASME Y14.5M-1994 AS AMENDED BY THE GM GLOBAL DIMENSIONING AND TOLERANCING ADDENDUM - 1997. ALL GEOMETRIC TOLERANCES AND RELATED DATUMS APPLY RFS. RULE #1 (PERFECT FORM AT MMC) DOES NOT APPLY WHEN RELATIONSHIP BETWEEN FEATURES IS ESTABLISHED BY ORIENTATION OR LOCATION TOLERANCES. SEPARATE POSITION CALLOUTS MAY BE GAGED SEPARATELY, REGARDLESS OF DATUM REFERENCE. ALL DIMENSIONS ARE IN INCHES</small>	
REFERENCE	
THIRD ANGLE PROJECTION	DO NOT SCALE USE MATH DATA
UNIGRAPHICS	

DELPHI

DELPHI PACKARD ELECTRIC SYSTEMS
WARREN, OH

DR	DATE
APVD1 M. MAYER	15DE04
APVD2 M. MAYER	15DE04
APVD3 ERIC TRACEY	16DE04
APVD4	
APVD5	

SUBSTANCES OF CONCERN AND RECYCLED CONTENT PER DELPHI 10949001

MATERIAL
SEE CHART

DRAWING NAME
TAXI CONN 1 56

DRAWING NUMBER
02977148

SIZE	SCALE	FRAME NO	SHEET NO	STG	REV	N/P
A2	N/A	1 OF 1	1 OF 1	R	10	-

User: czl04g Part: 02977148-CUS01-S01 Date: 15-Dec-04 Time: 14:51 Page: 1